


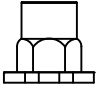
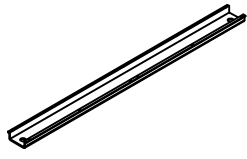


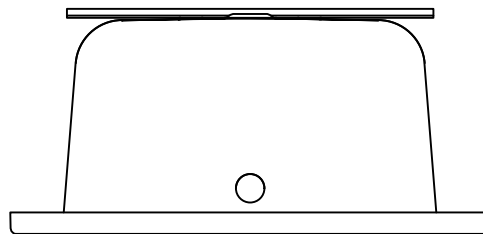
BATH FITTING INSTRUCTION

ATTENTION! Before fixing any Bath or Panel - remove ALL protective covering and examine carefully. The polythene film must be removed in full and the bath checked for any visible damage.
NO CLAIMS FOR THE ABOVE WILL BE ACCEPTED ONCE THE BATH IS FITTED.

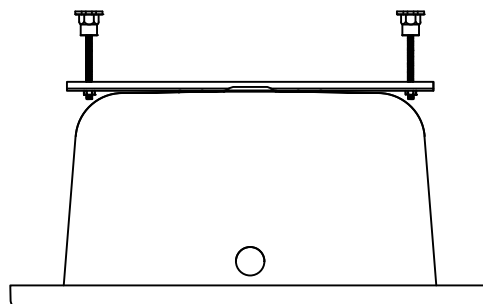
SCREWS		8
HEXAGON NUTS		8
THREADED BAR	 120mm	4
LEG FOOT		4
LEG SUPPORT BAR		2

1. Fix leg support bars to the base of the Bath using screws (x8).
 PLEASE NOTE: the base board is encapsulated in the base of the bath.

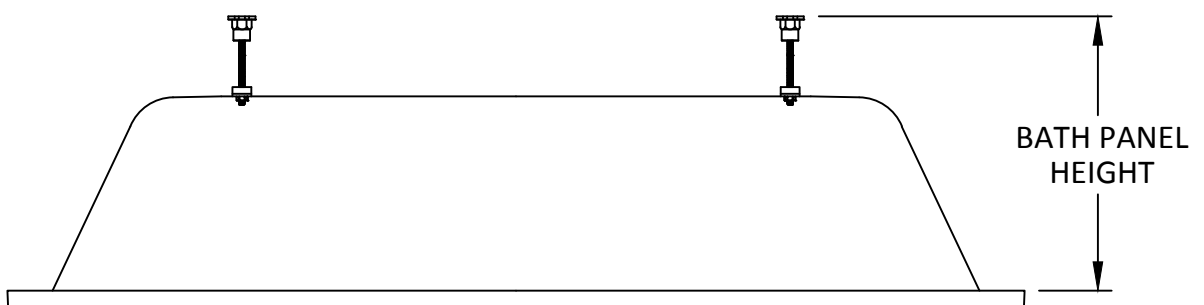
PRODUCT SHOWN WILL VARY
 DEPENDING ON MODEL



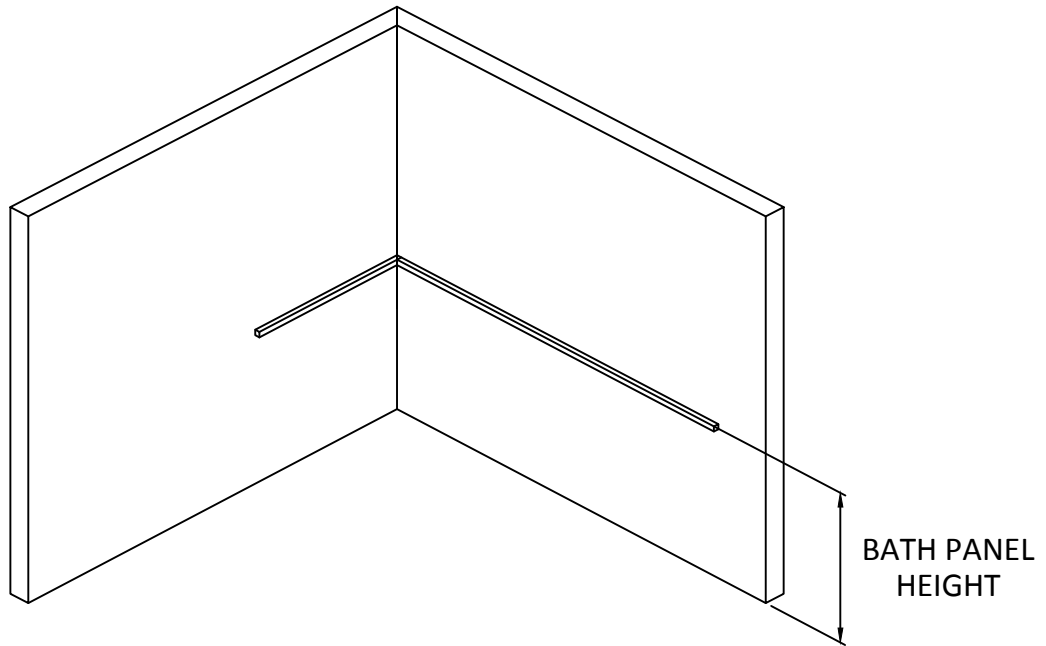
2. Fit the plastic feet to the threaded bars. Fit the threaded bars through the holes in the support bars and secure with the hexagon nuts (x8).



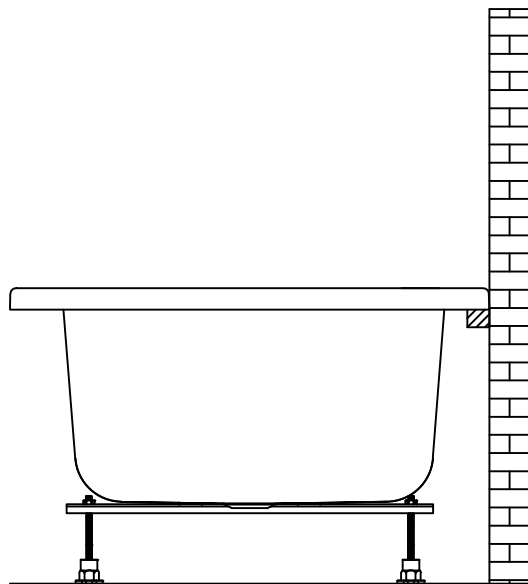
3. Adjust the height of the bath feet to match the bath panel height before installing the bath.



4. Attach a timber batten support (not supplied) to the wall. Use a spirit level to ensure that the timber supports are level.



5. Install the bath against the wall, ensuring that the bath rests on the timber battens.



INSTRUCTION FOR USE AND SURFACE MAINTENANCE

Acrylic surfaces can be easily cleaned right after the water has drained. Remove any sediment with a soft damp cloth and warm soapy water.

DO NOT use detergents containing abrasive components as they wear and tarnish the acrylic surface.

The manufacturer is **NOT** liable for any damage caused if the assembly instructions have not been followed. This in particular concerns an assembly preventing easy and safe disassembly.

In addition, the manufacturer is **NOT** liable for assembly and disassembly costs and any additional costs related to bath replacement.