

# Milano

## Claw Feet

### Installation Guide

***Contents***

Safety Information **Page - 2**

Installation **Page - 2** Warranty

Information **Page - 3**

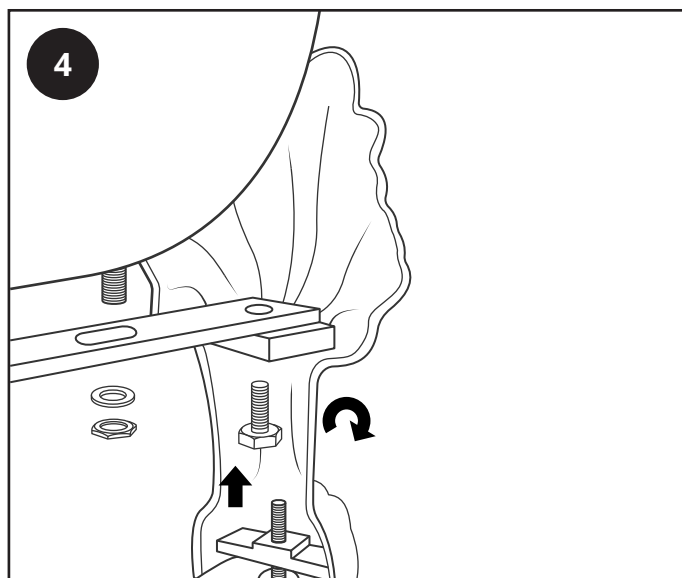
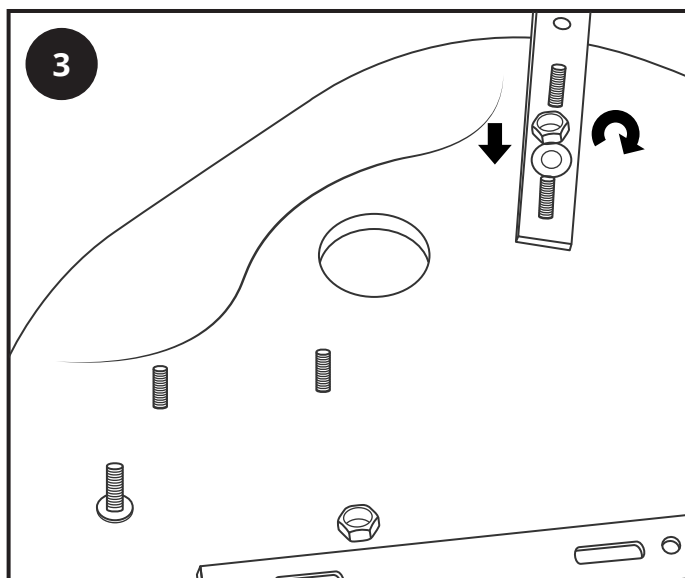
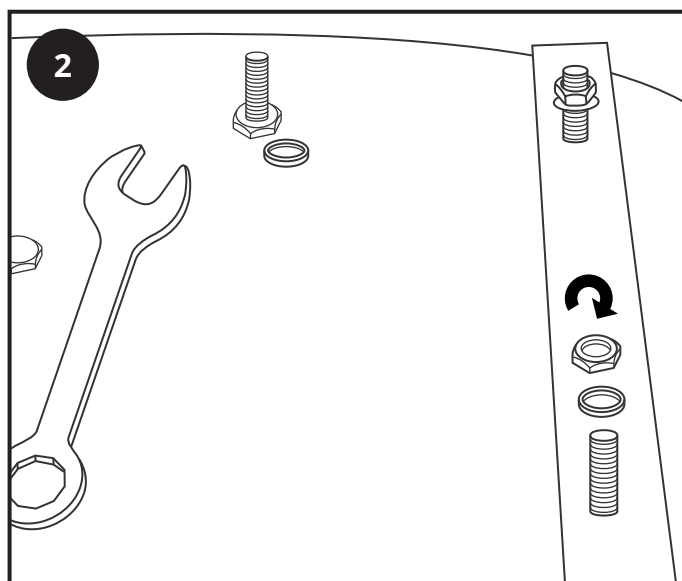
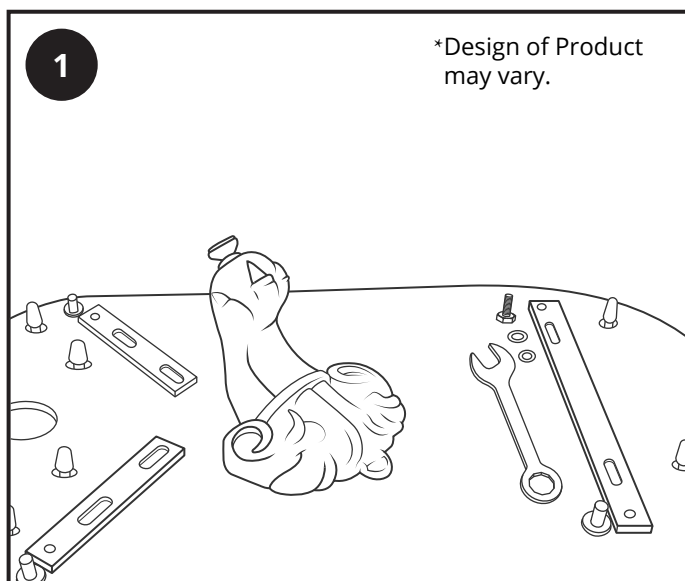
Recycling & Disposal **Page - 3**

# Safety Information

## *Please read carefully...*

- ✓ Check the product for defects before installing.
- ✗ DO NOT attempt to modify this product in any way.
- ✓ If you are unsure how to install this product, please consult a qualified installer or contact us directly.

# Installation



## Warranty Information

---

- *To find the specific guarantee for your product please refer to the website.*
- *The guarantee starts from the date of purchase.*
- *The guarantee covers you against issues caused as a result of manufacturing related issues, it does not apply to issues that are found to be a result of poor installation.*
- *Labour costs for installation of the product are not covered under this warranty.*

## Aftercare

---

Clean any marks with a soft dry cloth, for stubborn stains please clean with mild soapy water and buff out with a soft cloth.

DO NOT use abrasive or acidic cleaners, if you are unsure, please contact us first.

## Recycling & Disposal

---

Please recycle / dispose of this product in accordance with your local council / government guidelines.

## Contact Us

---

MILANO

Unit 1&2

Burnley

BB11 5UB