

Installation Instructions

Whirlpool Bath System

Please read the following instructions carefully before and during installation.

Tools Required (Not Supplied)

Electric Drill Adjustable Spanner Cross Head Screwdriver Spirit Level Terminal Screwdriver
--

Before You Start

- Remove clear protective film from acrylic and all transit packaging.
- ***Check for any sign of damage to the bath & associated pipework prior to installation.***
- Do not lift or manoeuvre the bath by the plastic pipes.
- It is recommended that the bath be covered by a sheet or blanket during installation.
- **Once installation has commenced claims for damage cannot be considered.**

Installation

Important: Permanent bath panelling is not advised as the pump and system must be accessible.

Plumbing Procedure

1. **Do not** position bath with switch directly beneath the shower head.
 2. Manoeuvre the bath into its final position.
 3. Set the bath level to its correct height by adjustment of the threaded bath feet, when doing so to accommodate the panel or other, the screwed rod must be adjusted down inside the hollow foot.
 4. Check that the bath panel to be used fits correctly & clears the pump & pipework.
 5. Lock off the bath feet by tightening the lock nut on each adjustable bath foot.
 6. Check that the bath is level & panel fits.
 7. The water & waste connections can now be made.
 8. Please refer to and complete **Testing and Initial Operation Procedure** points **3, 4, 5** and **6**.
 9. Fix the bath to the wall with the screws and L shaped wall brackets supplied.
-

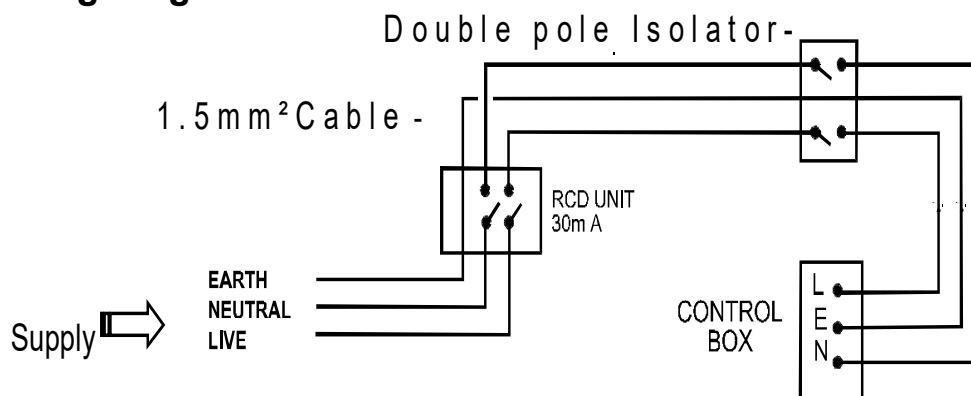
Electrical

WE STRONGLY RECOMMEND THAT ALL ELECTRICAL INSTALLATION WORK IS CARRIED OUT AND TESTED BY A SUITABLY QUALIFIED ELECTRICAL ENGINEER.

1. All electrical wiring should conform to the requirements of the Regulations for Electrical Installations, published by the Institute of Electrical Engineers.
2. Supply requirements 230 V AC single phase 13A.
3. The appliance should be supplied through a residual current device (RCD) having a rated residual operating current not exceeding 30mA. The supply line should be fed via a suitably rated double pole isolator having a minimum gap separation of 3mm in all poles. The isolator and RCD must be fitted outside the bathroom area (this may be sited in the consumer unit or separately). This appliance must be permanently connected to fixed wiring.
4. All electrically conductive parts of the installation – Hot & Cold pipes, metal support frame, metal baths etc, must be bonded together at the mains supply EARTH terminal with a conductor of not less than 6mm² in cross sectional area.
5. The pump is factory fitted with a 4metre length of twin and earth flex for connecting to the power supply (if the supply cord is damaged. It must be replaced by the manufacturer, its service agent or similarly qualified persons to avoid a hazard). The cable is connected to the motor using a suitably rated IP cable gland. Electrical connection to this flex should be made outside the bathroom area, should connection be made within the bathroom area the connecting device must be rated at least at IP55.
6. There is no need to remove the terminal block cover of the motor.
7. Parts containing LIVE PARTS, except parts supplied with safety extra low voltage not exceeding 12V must be inaccessible to a person in the bath.
8. Parts incorporating electrical components, except remote control devices, must be located or fixed so that they cannot fall into the bath.
9. Please ensure that at all times when operating and using the system that no other appliances are used in or are in the close proximity of the bath.

Means for disconnection must be incorporated in the fixed wiring in accordance with the wiring rules

Wiring Diagram



Testing and Initial Operation

This should be carried out before bath panels are fitted and tiling is completed.

1. Isolate the power supply.
2. Ensure that the bath is clear from debris, ensure suction fitting and jets are free from any dirt or debris.
3. Ensure the clear pneumatic tube (5mm) is firmly connected to both the pump and underside of the switch, free from any obstructions.
4. Check pump and waste connections are tight.
5. Fill the bath with water to at least 25mm above the whirlpool jets.
6. Check pipework, pump and waste connections for any sign of water leaks.
7. Switch on the electrical supply to the unit, press the on/off button once to operate the system.
8. Check pipework and pump for any signs of leaks. Run system for a minimum of 10 minutes whilst continuously checking for leaks.
9. While the system is operating open the air control (turn anti-clockwise) Check all the jets are working, Closing the air control (turn clockwise) should eliminate virtually all the air bubbles from the jets.
10. If the system is leak free and operates correctly, drain the bath and complete the installation.

Installation Trouble Shooting Guide

Problem

System will not operate.

Check

Check the electrical isolator & RCD are turned on and fuses / circuit breakers are active.

Check the pneumatic air hose (5mm) is connected between the pump & the underside of the push button on the rim of the bath.

Check that the suction filter on bath wall is not blocked. (Standard system).

Check that the suction waste filter cup is not blocked. (Vortex System).

Ensure that water covers the jets by at least 25mm
Turn off the electricity supply and check the electrical connections.

Water draining away.

Please adjust brass nut and screw on plug under vortex cover or remove completely if needed.

Check below bath to ensure lower D&O mechanism is not impeded by pipe work or other
(Vortex System).

The system has been fully inspected and rigorously tested at our factory. If upon installation it does not operate correctly or leaks occur, contact your supplier immediately. Attempts to repair or modify any part of this product may cause damage and invalidate the warranty.
