

Milano

Wall Mounting a Basin

Installation Guide

Contents

Safety Information **Page - 2**

Installation **Page - 2**

Warranty Information **Page - 4**

Recycling & Disposal **Page - 4**

Safety Information

Please read carefully...

- ✓ Check the product for defects before installing.
- ✗ Do not attempt to alter this product in any way unless advised to do so in the instructions.
- ✓ This product must be fitted to a suitable load bearing surface.
- ✓ We recommend installation is performed by a qualified plumber or fitter.

Installation

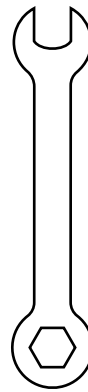
Parts needed:

Basin and fixing kit

Tools required for installing:

1. Spanner
2. Drill and suitable bit
3. Spirit level
4. Pencil

1



2

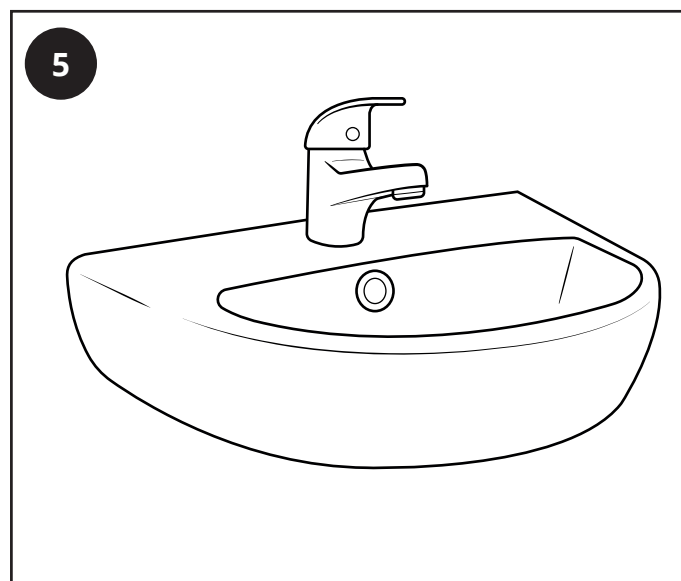
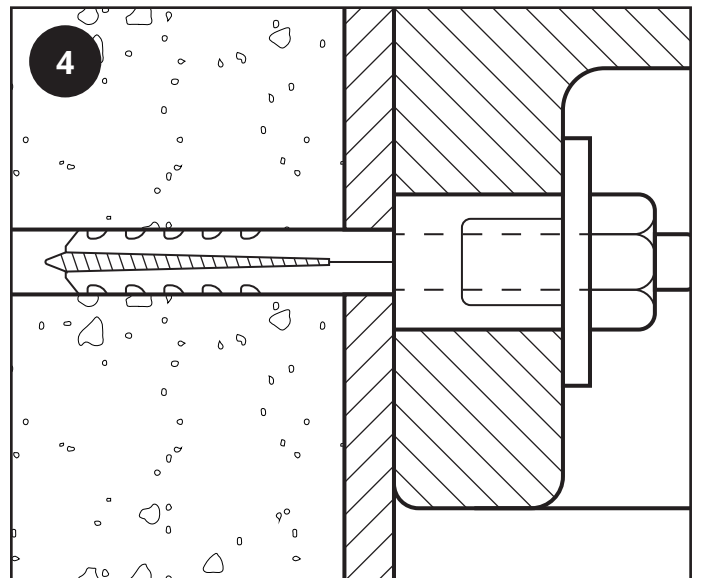
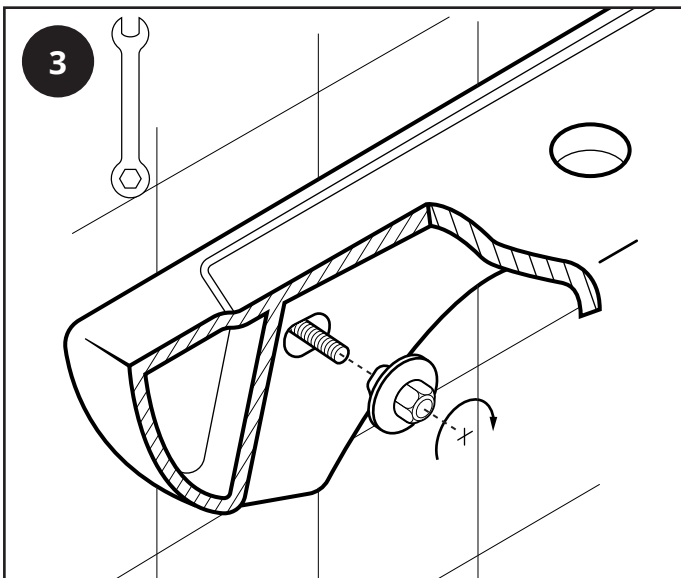
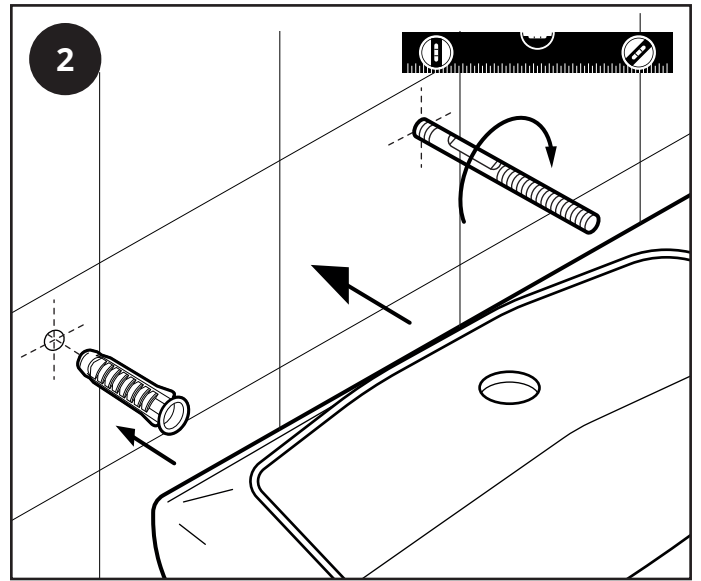
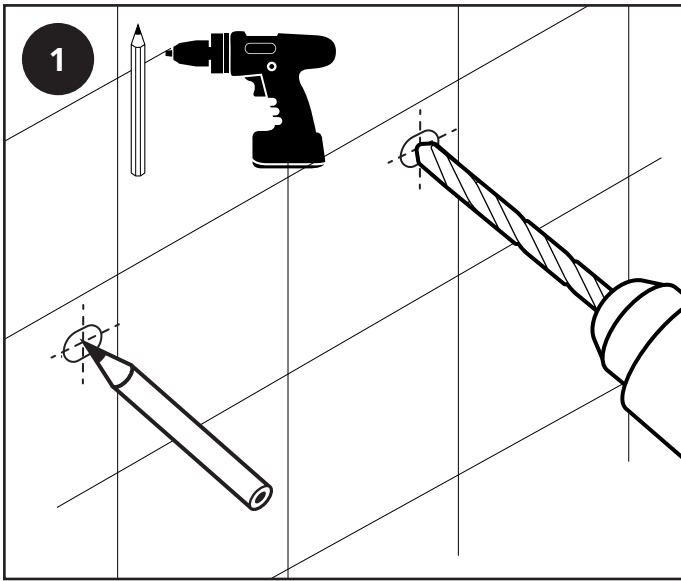


3



4





Warranty Information

- *To find the specific guarantee for your product please refer to the website.*
- *The guarantee starts from the date of purchase.*
- *The guarantee covers you against issues caused as a result of manufacturing related issues, it does not apply to issues that are found to be a result of poor installation.*
- *Labour costs for installation of the product are not covered under this warranty.*

Aftercare

Clean any marks with a soft dry cloth, for stubborn stains please clean with mild soapy water and buff out with a soft cloth.

DO NOT use abrasive or acidic cleaners, if you are unsure, please contact us first.

Recycling & Disposal

Please recycle / dispose of this product in accordance with your local council / government guidelines.

Contact Us

MILANO

Unit 1&2

Burnley

BB11 5UB