

# Milano

## Laying Underfloor Heating

### Installation Guide

#### **Contents**

Technical Data **Page - 2**

Safety Information **Page - 3**

Installation **Page - 3**

Warranty Information **Page - 8**

Recycling & Disposal **Page - 8**

Contact us **Page - 8**

# Technical data

---

**General Construction:** Dual Conductor wire with earth

**Voltage:** 230 VAC / 50hz

**Maximum load:** 13.2W/m

**Maximum cable temperature:** 105°C

**Approvals:** CE , TUV

**Wire thickness:** 3.6mm

**Cable flexibility:** Minimum allowable cable radius is 25mm

**Power Range:** 150w - 1800w

**Approved in accordance with:** EN 60335-1:2012,EN 60335-2-96:2002/A2:2009, EN 61000-3-2:2014,EN 61000-3-3:2013, EN 55014-1:2006/A2:2011, EN 55014-2:1997/A2:2008, IEC 60800:2009.

## Construction

---

**Thermal Conductor :** 2x resistance wire with fluoropolymer (FEP 7Y) tested to 200°C.

**Outer Insulation :** PVC (Y) tested to 90°C

**Reinforcement Materials :** Fibreglass strands

**IP Rating :** IPX7

**Reinforcement mesh:** Fibreglass mesh

**Fixing materials:** Adhesive backing.

Product code	length	Width	cable length	cable thickness	Area	Output	AMPS	Resistance (Ω)	1Ω-5%+10%
UFH1	2	0.5	12.5	3.6	1.0m <sup>2</sup>	150W	0.7	352.7	335.06-387.97
UFH1-5	3	0.5	18.75	3.6	1.5m <sup>2</sup>	225W	1	235.1	223.34-258.61
UFH2	4	0.5	25	3.6	2.0m <sup>2</sup>	300W	1.3	176.3	167.48-193.93
UFH2-5	5	0.5	31.25	3.6	2.5m <sup>2</sup>	375W	1.6	141.1	134.04-155.21
UFH3	6	0.5	37.5	3.6	3.0m <sup>2</sup>	450W	2	117.6	111.72-129.36
UFH4	8	0.5	50	3.6	4.0m <sup>2</sup>	600W	2.6	88.2	83.79-97.02
UFH5	10	0.5	62.5	3.6	5.0m <sup>2</sup>	750W	3.3	70.5	66.97-77.55

# Safety Information

---

## *Please read carefully...*

- ✓ Check that all parts are present in the box and that they are undamaged.
- ✗ **DO NOT** attempt to modify this product in any way.
- ✓ Any electrical work must be carried out by a qualified electrician.
- ✓ Wear appropriate safety shoes while installing.
- ✓ If you are unsure how to install this product, please consult a qualified installer or contact us directly.
- ✓ Cables within the heating mat cannot be cut or shortened in any way therefore it is advisable to order slightly less than you need rather than have too much.
- ✓ Please ask your Electrician to test the mat , before, during and after installation to prevent any issues once installed.

# Installation

---

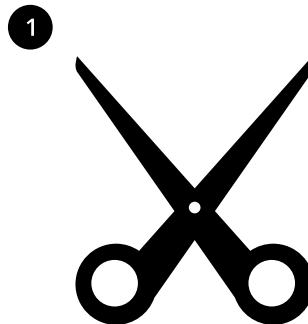
## *Parts needed:*

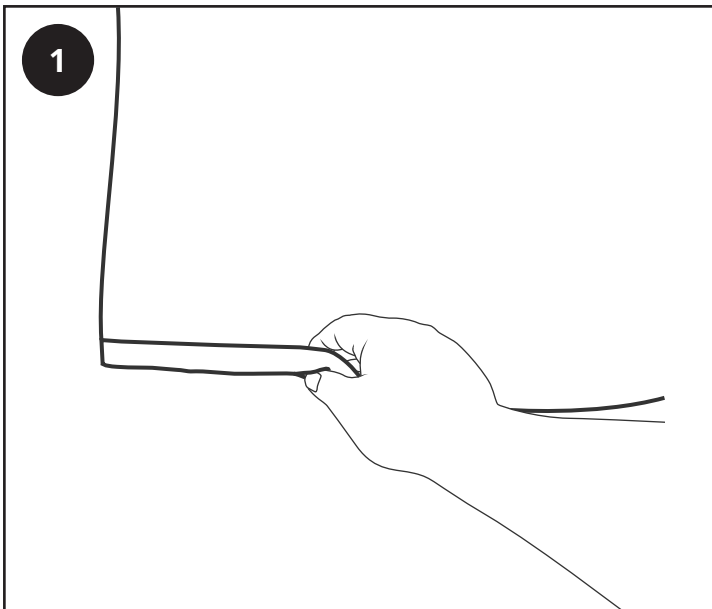
Underfloor heating mat

## *Tools required for installing:*

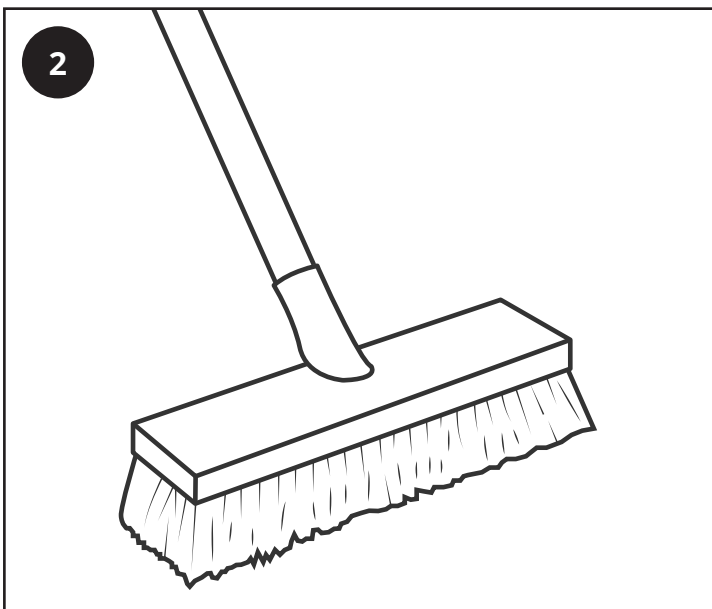
Scissors

Foam Paint roller (optional)

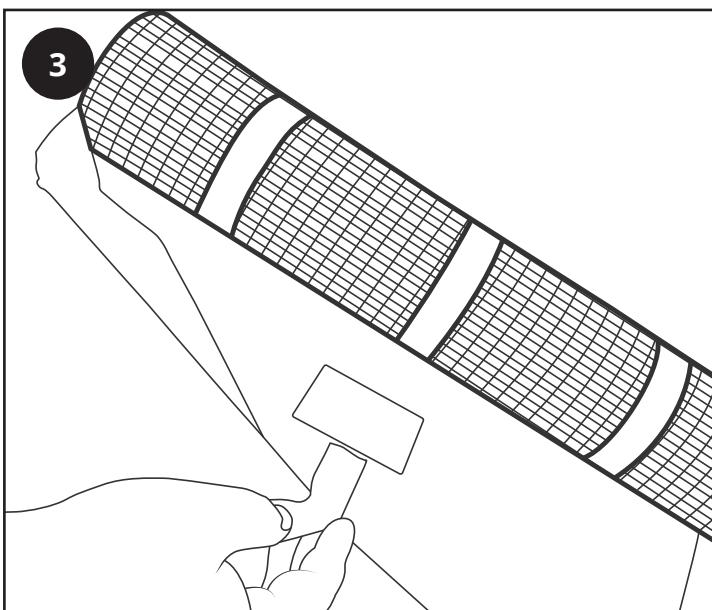




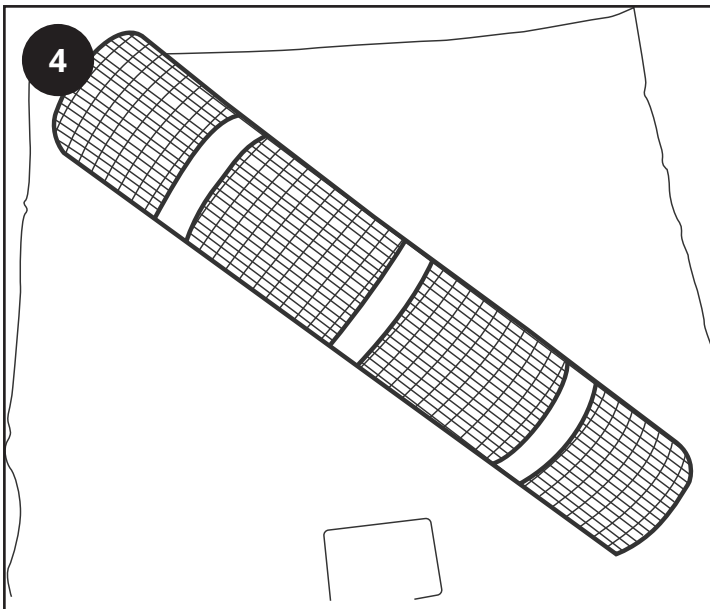
Before laying your heating mat, ensure that a suitable insulating material has been laid over the area the mat is to be fitted to.



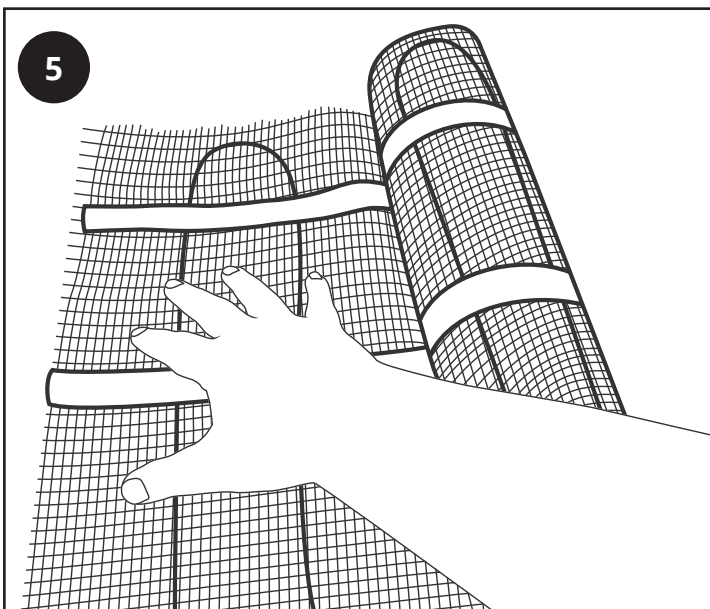
Clear any dust or debris from the area, loose debris will affect the adhesive properties of the mat.



Pull the white tab on the packaging and carefully unwrap the mat



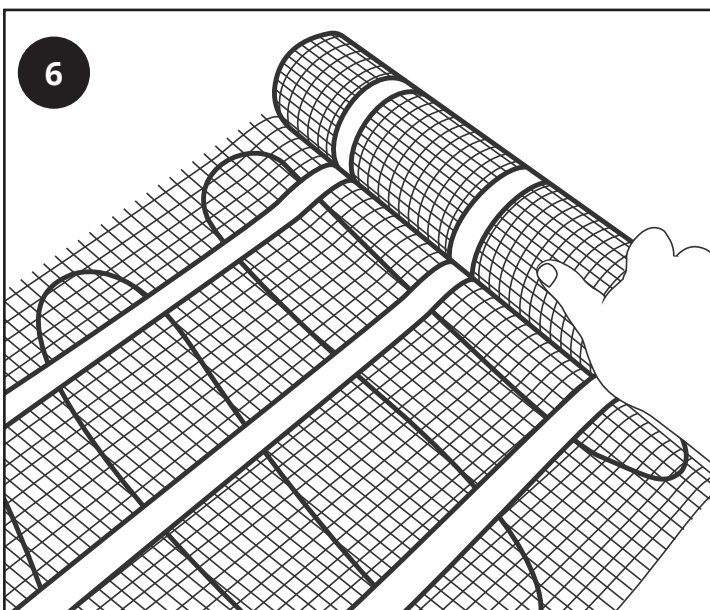
Until you begin installation leave the mat on top of the packaging, this will prevent dust from affecting the adhesive.



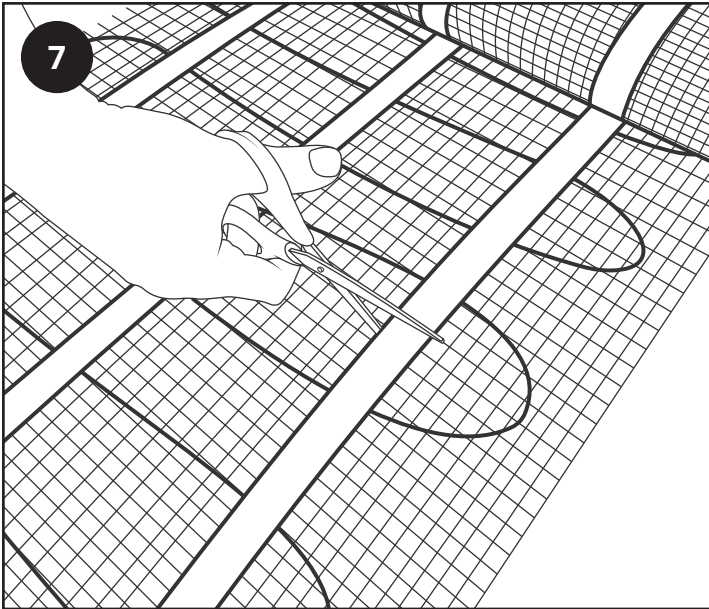
Place the mat onto the area to be covered, make sure that the end with the connection cable is closest to where the thermostat will eventually be located.

Press the mat firmly onto the surface and make sure no lumps or creases are present.

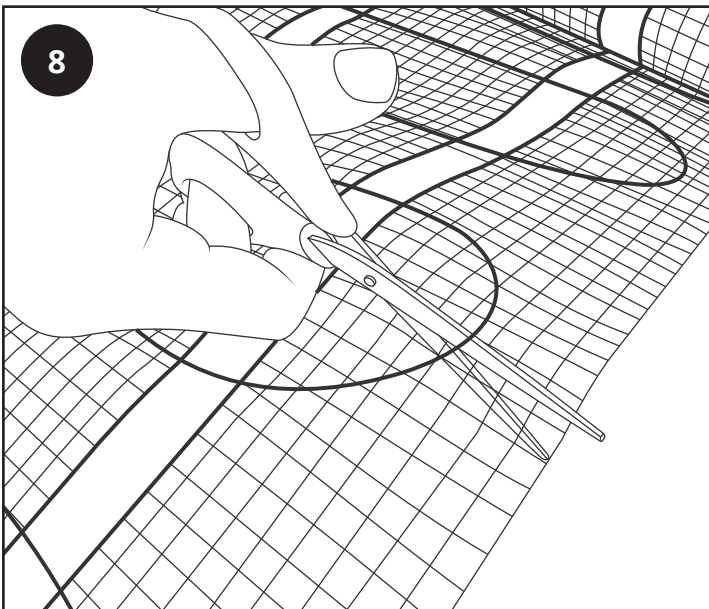
You can use a foam paint roller to do this as an alternative.



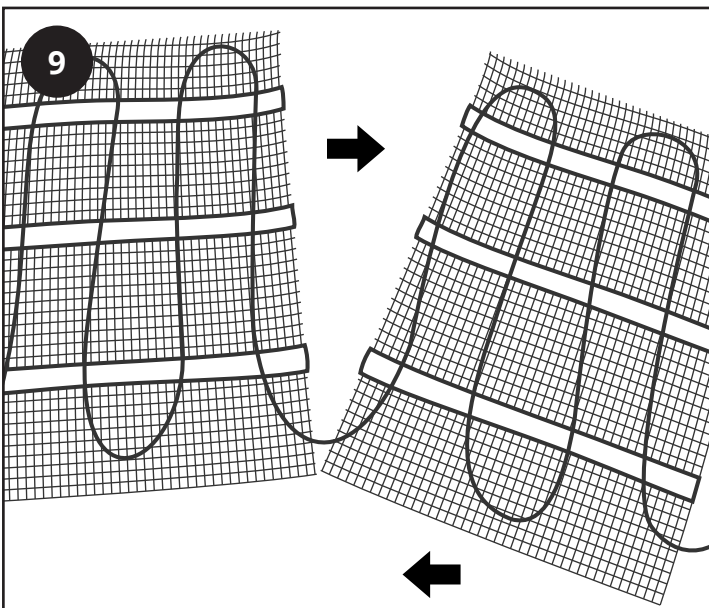
Continue to roll the mat until you reach the end of the area to be covered.



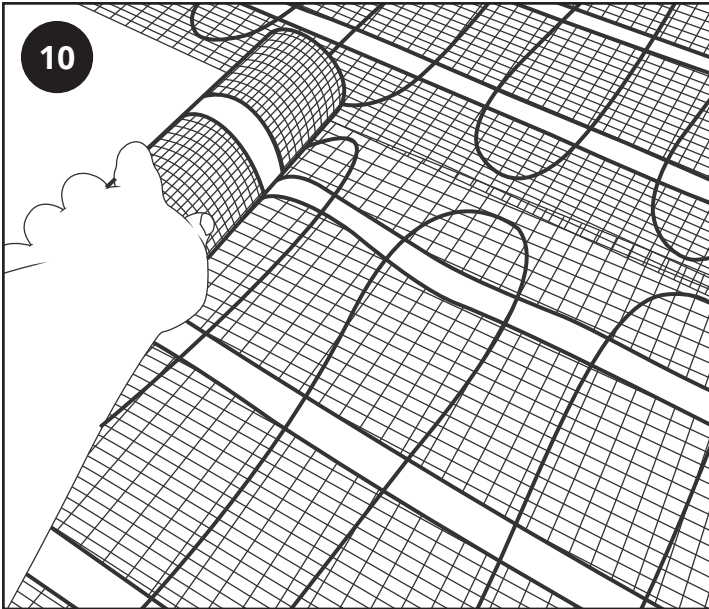
When you reach the end of the first row, cut across the net with a pair of sharp scissors.



Make sure that while cutting you do not accidentally sever the heating cable, cut the netting only beneath this.

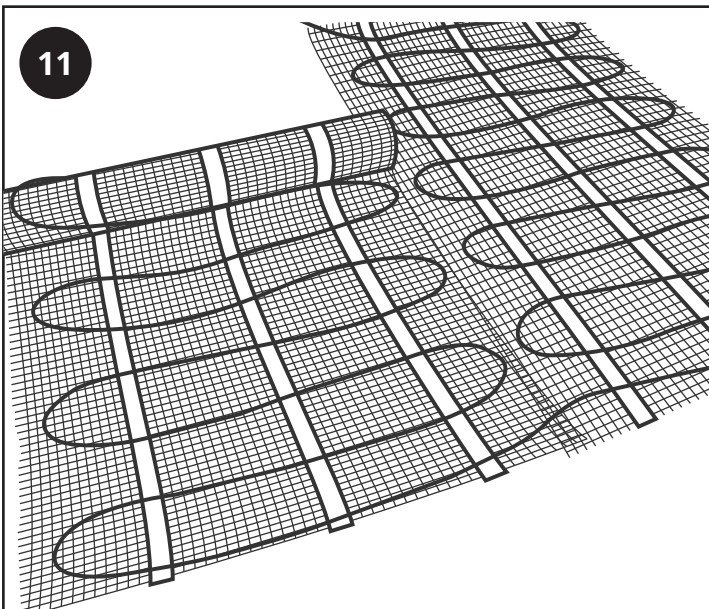


Once cut, pull the severed section away from the already laid part of the mat and pull it around so that you can continue to lay it. w



Run the mat back down the next row keeping it level with the previously laid row.

Make sure that you do not overlap the heating cable as this may damage the product once installed.



Continue to roll the mat out until the required area is covered, repeating the above steps as required.

*Please remember to not cut any of the wires!*

*!!To connect to the mains / thermostat, please consult a qualified electrician!!*



# Warranty Information

---

- *To find the specific guarantee for your product please refer to the website.*
- *The guarantee starts from the date of purchase.*
- *The guarantee covers you against issues caused as a result of manufacturing related issues, it does not apply to issues that are found to be a result of poor installation.*
- *Labour costs for installation of the product are not covered under this warranty.*

# Recycling & Disposal

---

The Waste Electrical and Electronic Equipment Directive (WEEE Directive) is the European Community directive 2012/19/EU on Waste Electrical and Electronic Equipment (WEEE) which, together with the RoHS Directive 2002/95/EC, became European Law in February 2003

The WEEE directive aims to reduce the amount of electrical equipment being produced and to encourage everyone to reuse, recycle and recover it.

In support of these guidelines and for environmental safety, do not dispose of any electrical equipment including those marked with the below symbols

When replacing old electrical devices with new ones the retailer is legally obligated to take back your old items for disposal free of charge. You can also recycle your old electrical devices free of charge at your local recycling centre. Please contact your local council for more information.



# Contact Us

---

Milano

Unit 1&2

Dawson Court

Burnley

BB11 5UB