

Hudson Reed

Traditional Pull up Basin Waste

Installation Guide

Contents

Safety Information **Page 2**

Installation **Page 2**

Warranty Information **Page 4**

Recycling & Disposal **Page 4**

Safety Information

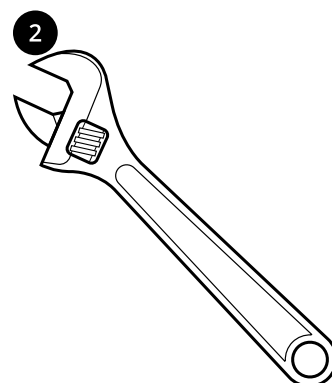
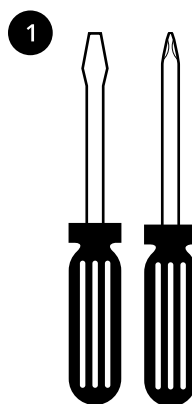
Please read carefully...

- ✓ Inspect the product for damage before installing.
- ✓ Report any damage or shortages before installation.
- ✓ We recommend installation is performed by a qualified plumber.
- ✓ Earth any new pipework satisfactorily.
- ✓ This product requires a minimum of 0.1bar of water pressure to operate.
- ✓ When using tools please be careful not to damage the finish of the product.
- ✓ A suitable T-piece is required to install this product (**Not Provided**)

Installation

Tools required for installing:

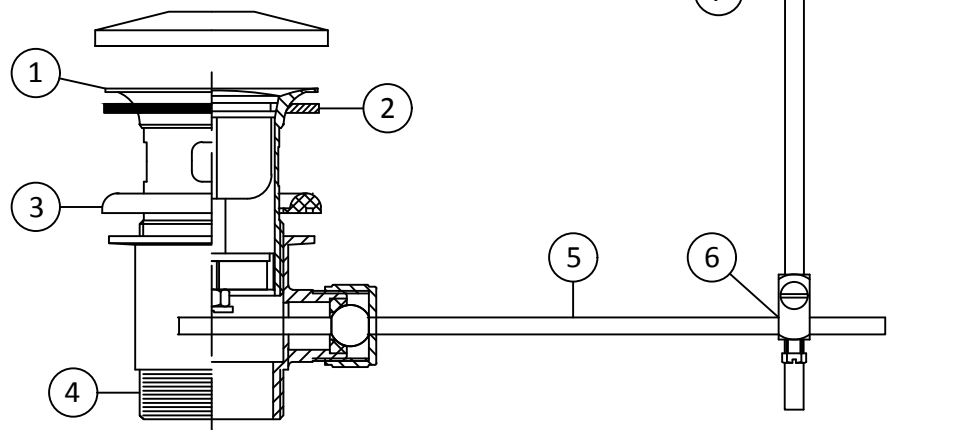
1. Cross head or flat screwdriver.
2. Adjustable spanner.



1. Identify that all components are present prior to installation.
2. Fit the optional foam washer (2) to the waste flange (1). If preferred, bed in the waste flange to the basin with a good clear silicone sealant. This should compensate for any slight moulding imperfections that may be present around the waste area.
3. Fit the large rubber seal (3) to the underside of the basin and secure by tightening the waste body (4) onto the flange's thread.
4. Place the pull-up knob & shroud assembly (11) onto the basin & secure using the small foam washer (10), metal plate (9) & retaining nut (8) on the underside of the basin.
5. Use pop-up swivel connection joint (6) to connect the vertical (7) and horizontal (5) connecting rods.
6. Check all joints & connections for any leaks.

COMPONENTS

1. WASTE FLANGE
2. FOAM WASHER
3. LARGE RUBBER SEAL
4. WASTE BODY
5. HORIZONTAL CONNECTING ROD
6. SWIVEL CONNECTION JOINT
7. VERTICAL CONNECTING ROD
8. RETAINING NUT
9. METAL PLATE
10. FOAM WASHER
11. PULL-UP KNOB & SHROUD



Warranty Information

- *To find the specific guarantee for your product please refer to the website.*
- *The guarantee starts from the date of purchase.*
- *The guarantee covers you against issues caused as a result of manufacturing related issues, it does not apply to issues that are found to be a result of poor installation.*
- *Labour costs for installation of the product are not covered under this warranty.*

Aftercare

Clean any marks with a soft dry cloth, for stubborn stains please clean with mild soapy water and buff out with a soft cloth.

DO NOT use abrasive or acidic cleaners, if you are unsure, please contact us first.

Recycling & Disposal

Please recycle / dispose of this product in accordance with your local council / government guidelines.

Contact Us

HUDSON REED

Unit 1&2

Burnley

BB11 5UB