

# Hudson Reed

## Basin & Bath Taps

### Installation Guide

**Contents**

Safety Information **Page 22**

Installation **Page 2**

Warranty Information **Page 4**

Recycling & Disposal **Page 4**

# Safety Information

---

## *Please read carefully...*

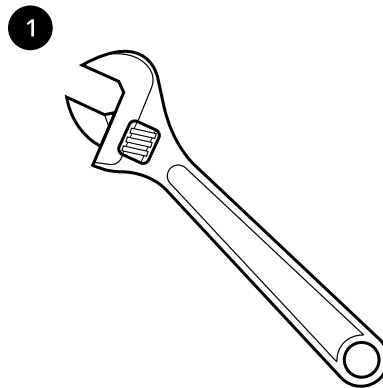
- ✓ Inspect the product for damage before installing.
- ✓ Report any damage or shortages before installation.
- ✓ We recommend installation is performed by a qualified plumber.
- ✓ Earth any new pipework satisfactorily.
- ✓ This product requires a minimum of 0.1bar of water pressure to operate.
- ✓ When using tools please be careful not to damage the finish of the product.

# Installation

---

## *Tools required for installing:*

1. Adjustable spanner.



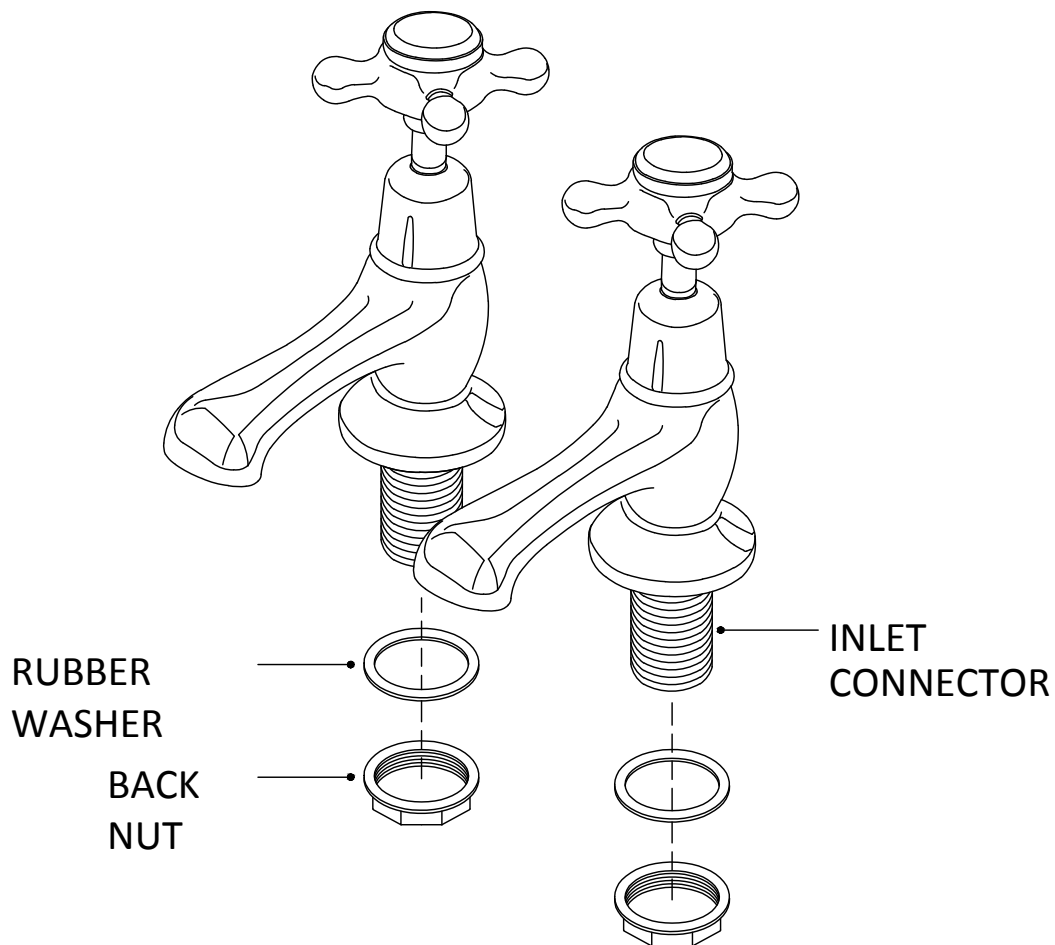
1. Prior to installation please ensure all the supply pipes have been flushed through to remove any debris and then ensure the water supply is turned off.
2. We strongly recommend the fitting of isolation valves to the inlet feeds for ease of future maintenance.
3. Ensure you have all the relevant tools before commencing the installation and take note of any specific markings on the product to make sure they are installed correctly.
4. Carefully assemble new fitting onto sanitary ware / bath. Do NOT over tighten as this may cause damage to the fitting and/or the sanitary ware. Remember to install the 'O' ring or washer between the mixer body & sanitary ware.
5. Connect water supply to the inlet connector The HOT supply should always be connected to the LH side when viewing the fitting from the front.

**Please ensure you take note of any specific markings on the product to make sure they are installed correctly.**

6. Ensure fitting is in the 'open' position and turn on the water supply. Allow the tap to run for a few minutes to flush out any debris.

7. Check all water feed connections to ensure there are no leaks.

8. Check the assembled fit of the products to the sanitary ware / bath to ensure there is no water ingress that may cause water damage after installation.



## Warranty Information

---

- *To find the specific guarantee for your product please refer to the website.*
- *The guarantee starts from the date of purchase.*
- *The guarantee covers you against issues caused as a result of manufacturing related issues, it does not apply to issues that are found to be a result of poor installation.*
- *Labour costs for installation of the product are not covered under this warranty.*

## Aftercare

---

Clean any marks with a soft dry cloth, for stubborn stains please clean with mild soapy water and buff out with a soft cloth.

DO NOT use abrasive or acidic cleaners, if you are unsure, please contact us first.

## Recycling & Disposal

---

Please recycle / dispose of this product in accordance with your local council / government guidelines.

## Contact Us

---

HUDSON REED

Unit 1&2

Burnley

BB11 5UB