

# Milano

## Outdoor Shower Pole (2 Piece)

### Installation Guide

#### **Contents**

Safety Information **Page - 2**

Installation **Page - 2**

Warranty Information **Page - 7**

Recycling & Disposal **Page - 7**

# Safety Information

---

## *Please read carefully...*

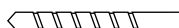
- ✓ Check the product for defects before installing.
- ✗ Do not install in coastal areas or other places with high atmospheric salt content.
- ✓ Please ensure that the product is covered in poor weather.
- ✓ We recommend installation is performed by a qualified installer.
- ✓ This product must be installed on a suitable load bearing surface, ideally in an area that offers protection from inclement weather.
- ✓ This unit should be isolated and drained down in freezing conditions to avoid frost damage to the water pipes.

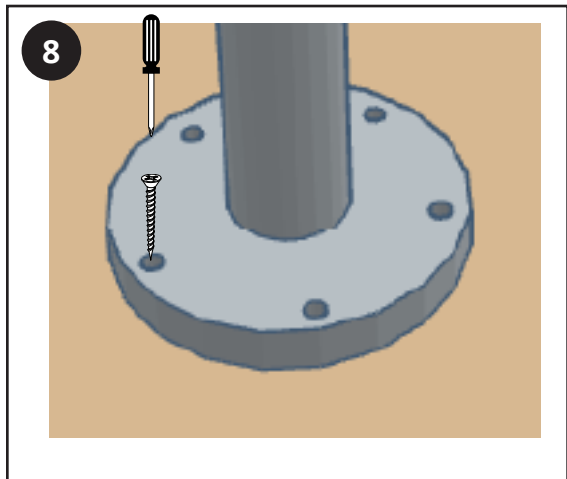
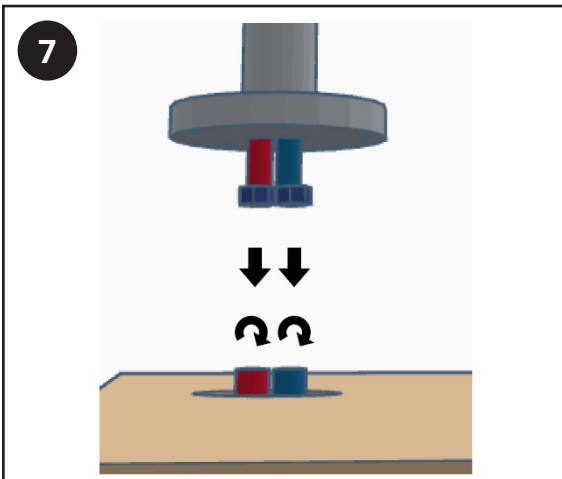
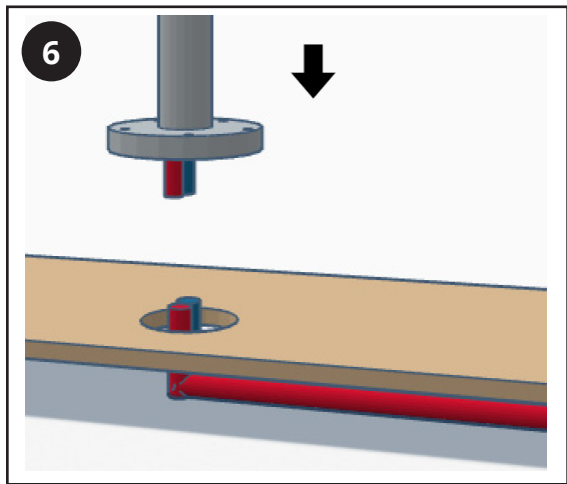
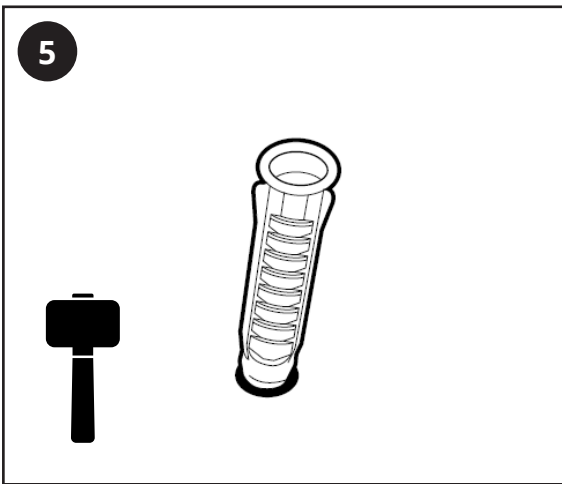
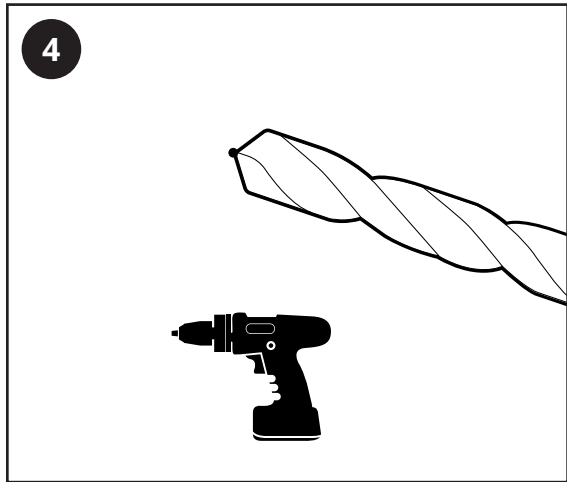
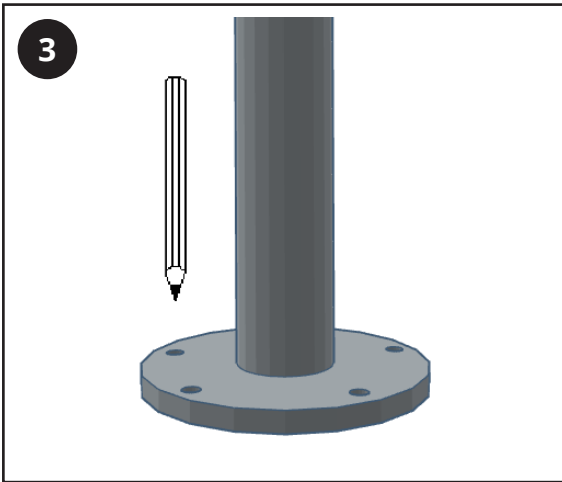
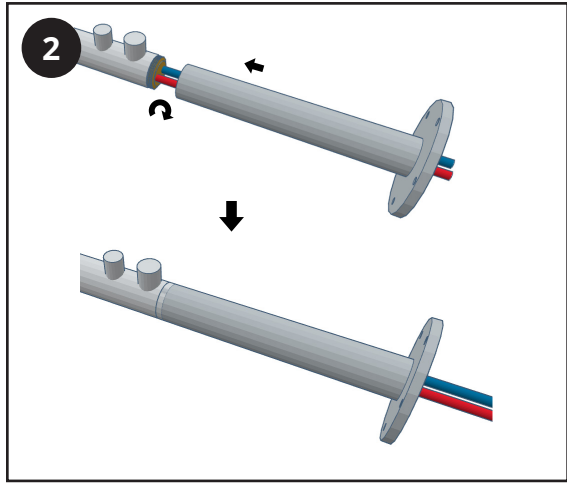
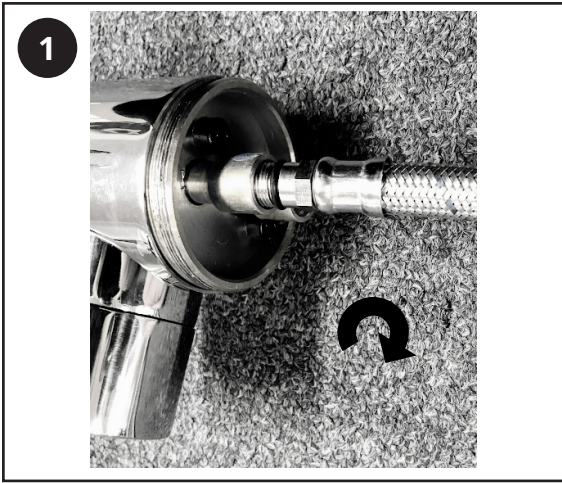
# Installation

---

## *Parts needed:*

## *Tools required for installing:*





## Warranty Information

---

- *To find the specific guarantee for your product please refer to the website.*
- *The guarantee starts from the date of purchase.*
- *The guarantee covers you against issues caused as a result of manufacturing related issues, it does not apply to issues that are found to be a result of poor installation.*
- *Labour costs for installation of the product are not covered under this warranty.*

## Aftercare

---

Ensure that the product is covered in poor weather, to avoid frost damage to pipes, drain the unit off and close the water-feeds.

Clean with a soft dry cloth, do not use abrasive cleaners.

## Recycling & Disposal

---

Please recycle / dispose of this product in accordance with your local council / government guidelines.

## Contact Us

---