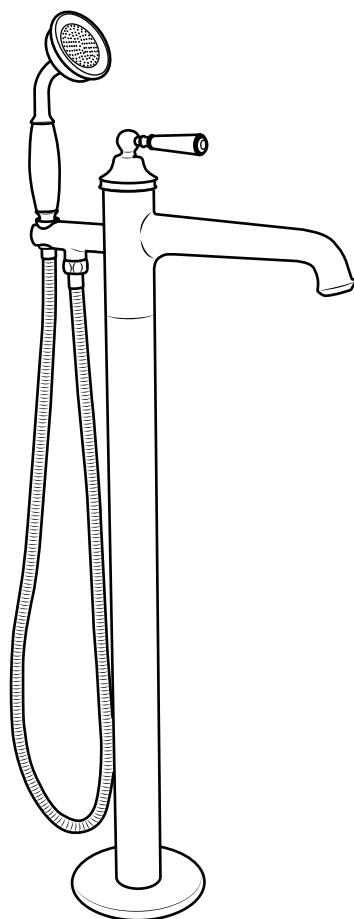



Milano

Freestanding Mono Bath Shower Mixer Tap

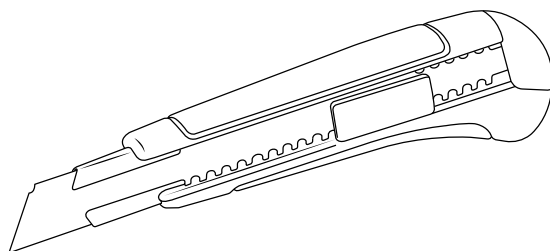
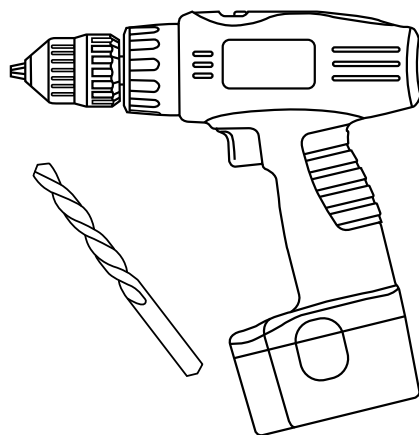
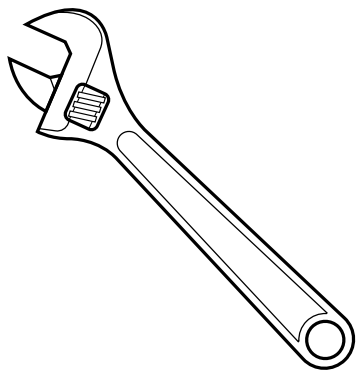
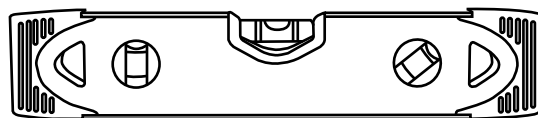
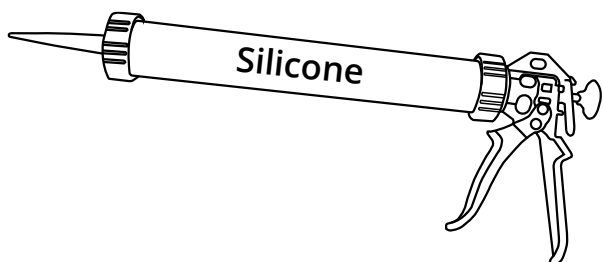
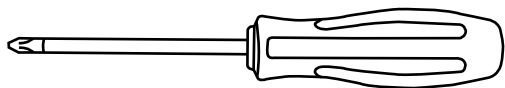


 Style may vary

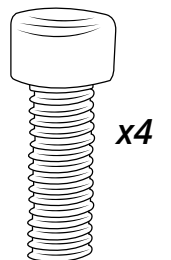
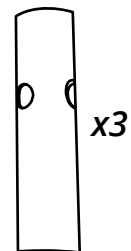
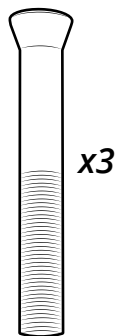
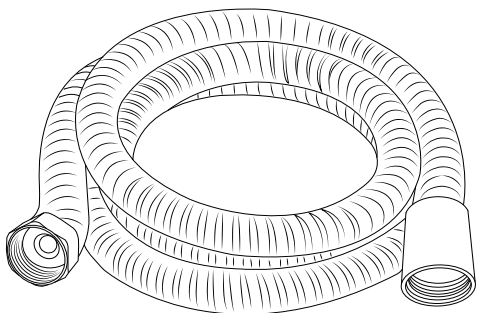
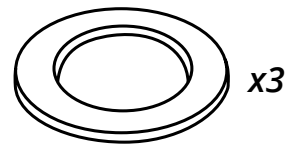
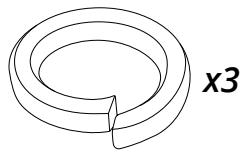
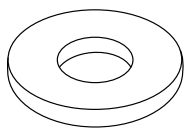
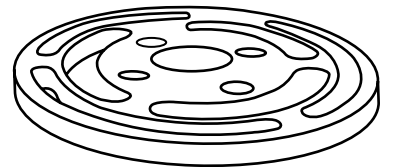
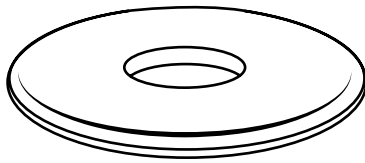
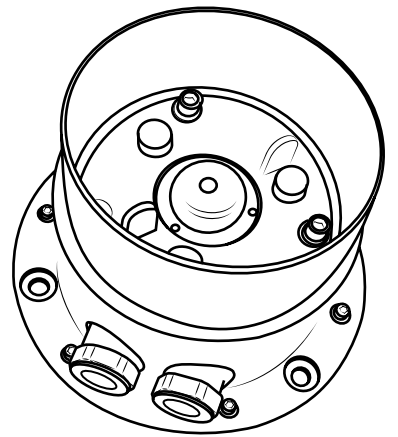
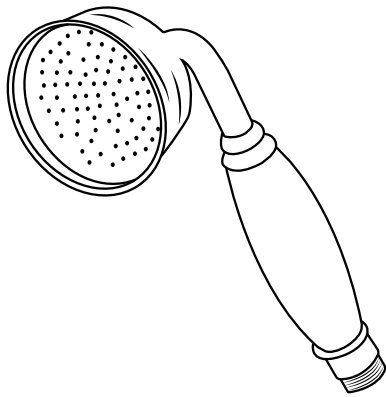
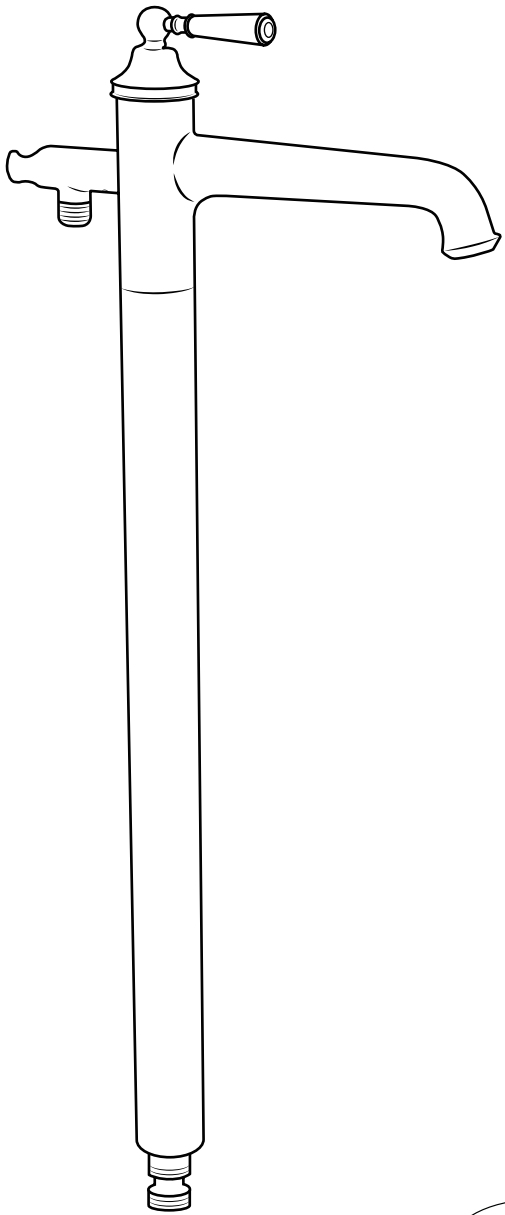
Installation Guide

Installation

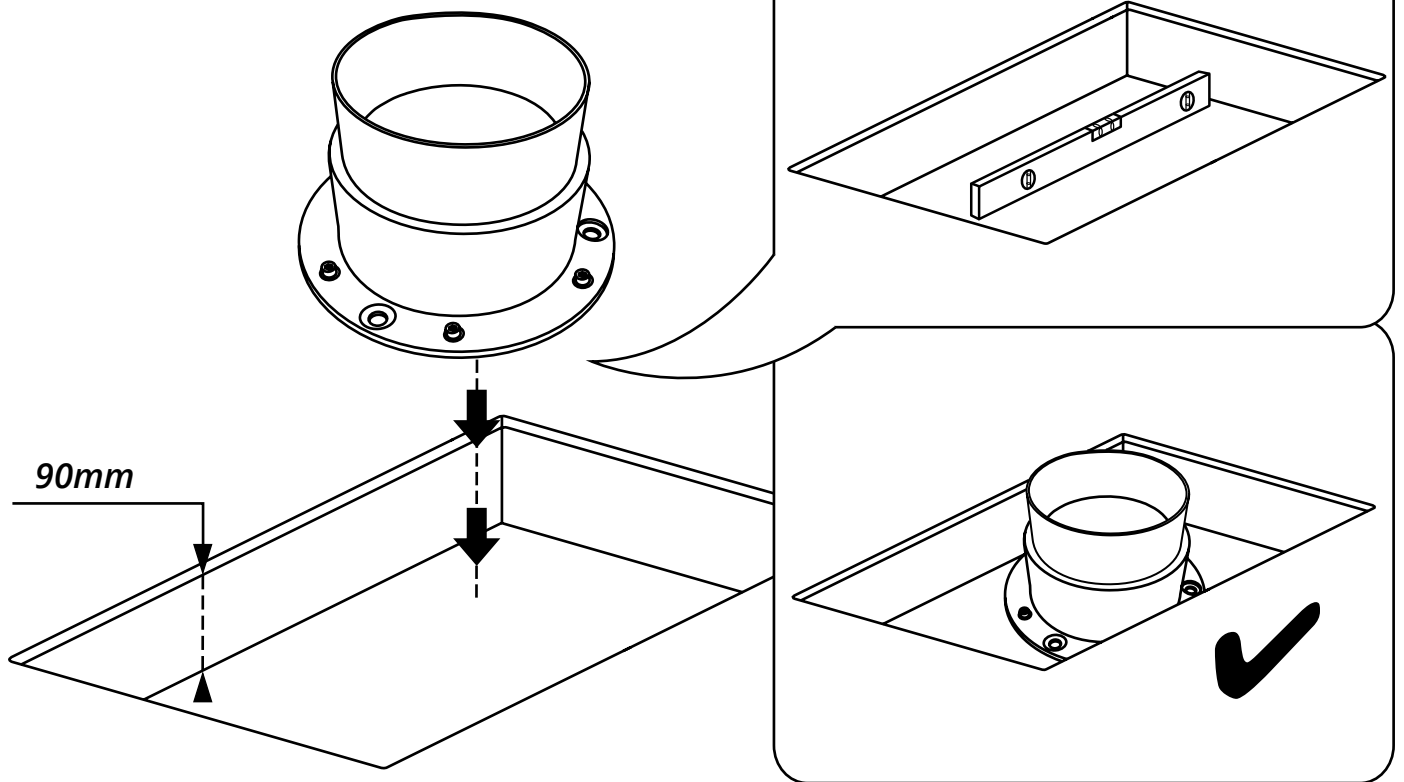
Tools required for installing:



Parts included:

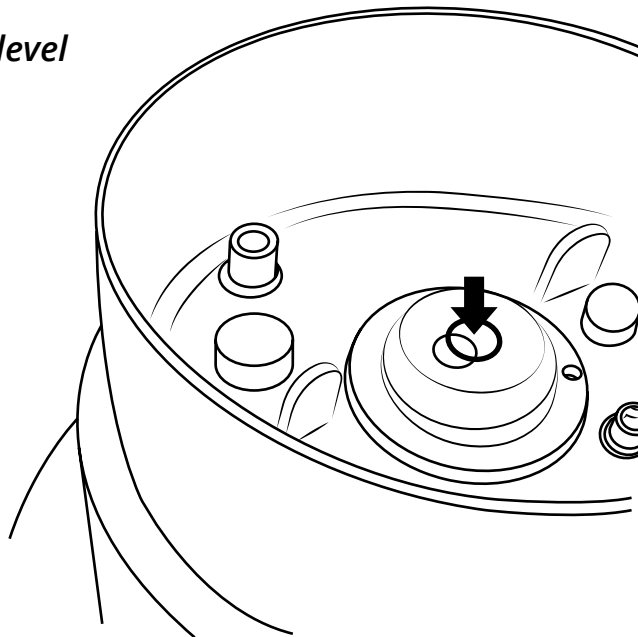


1

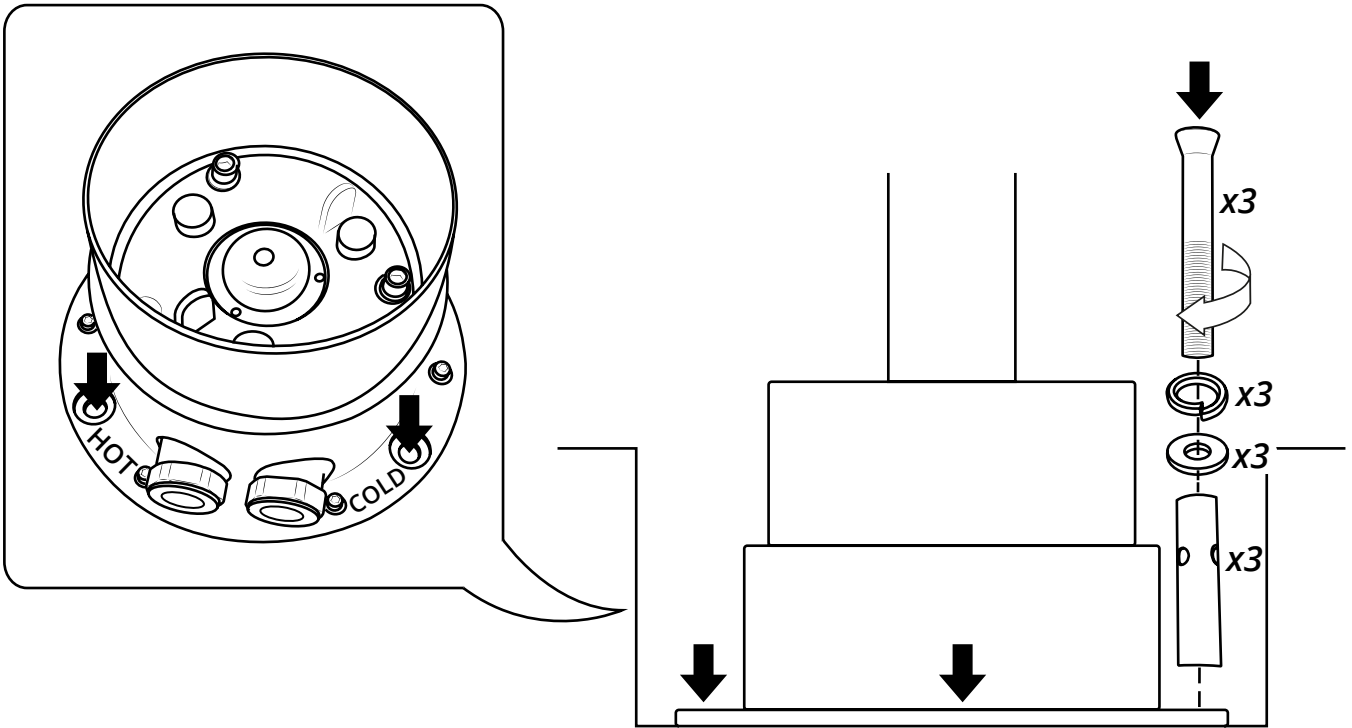


2

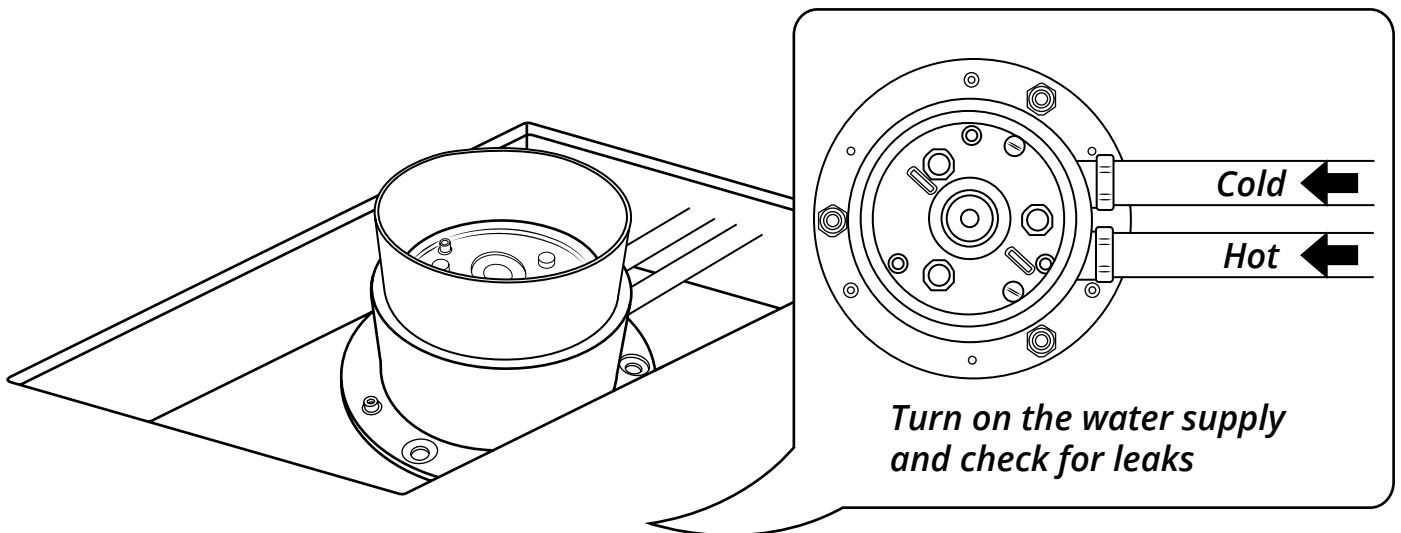
Check spirit level



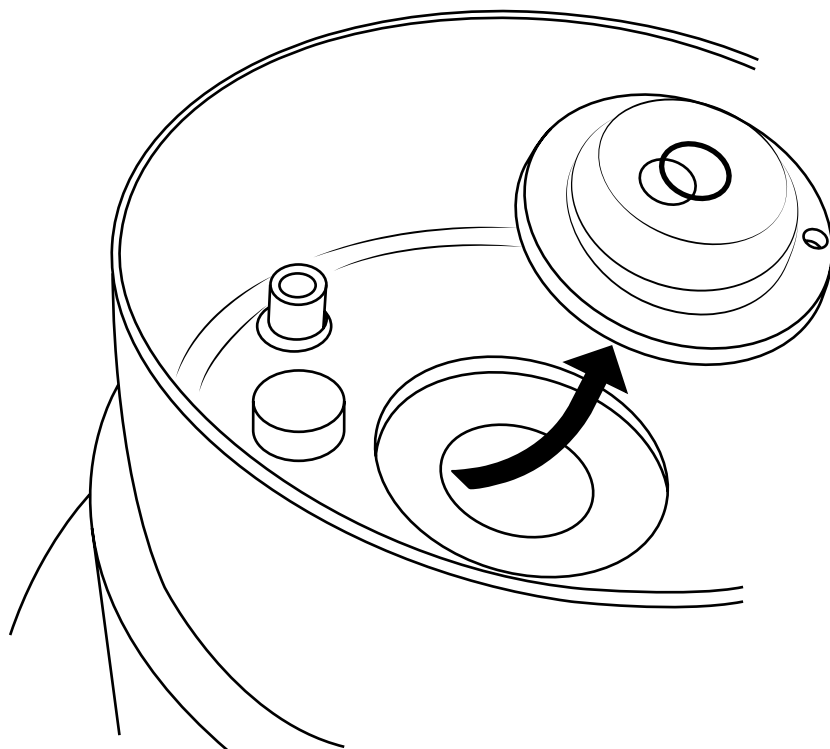
3



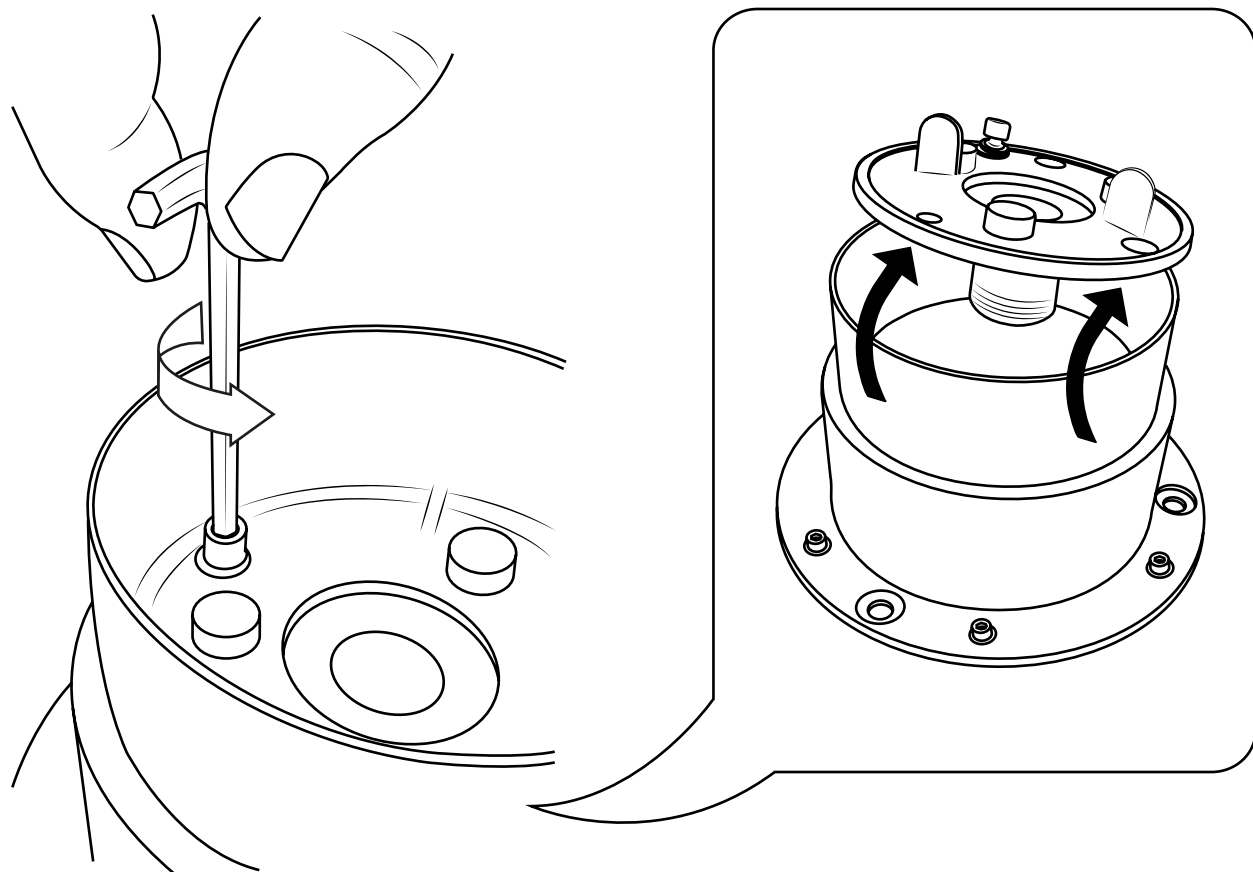
4



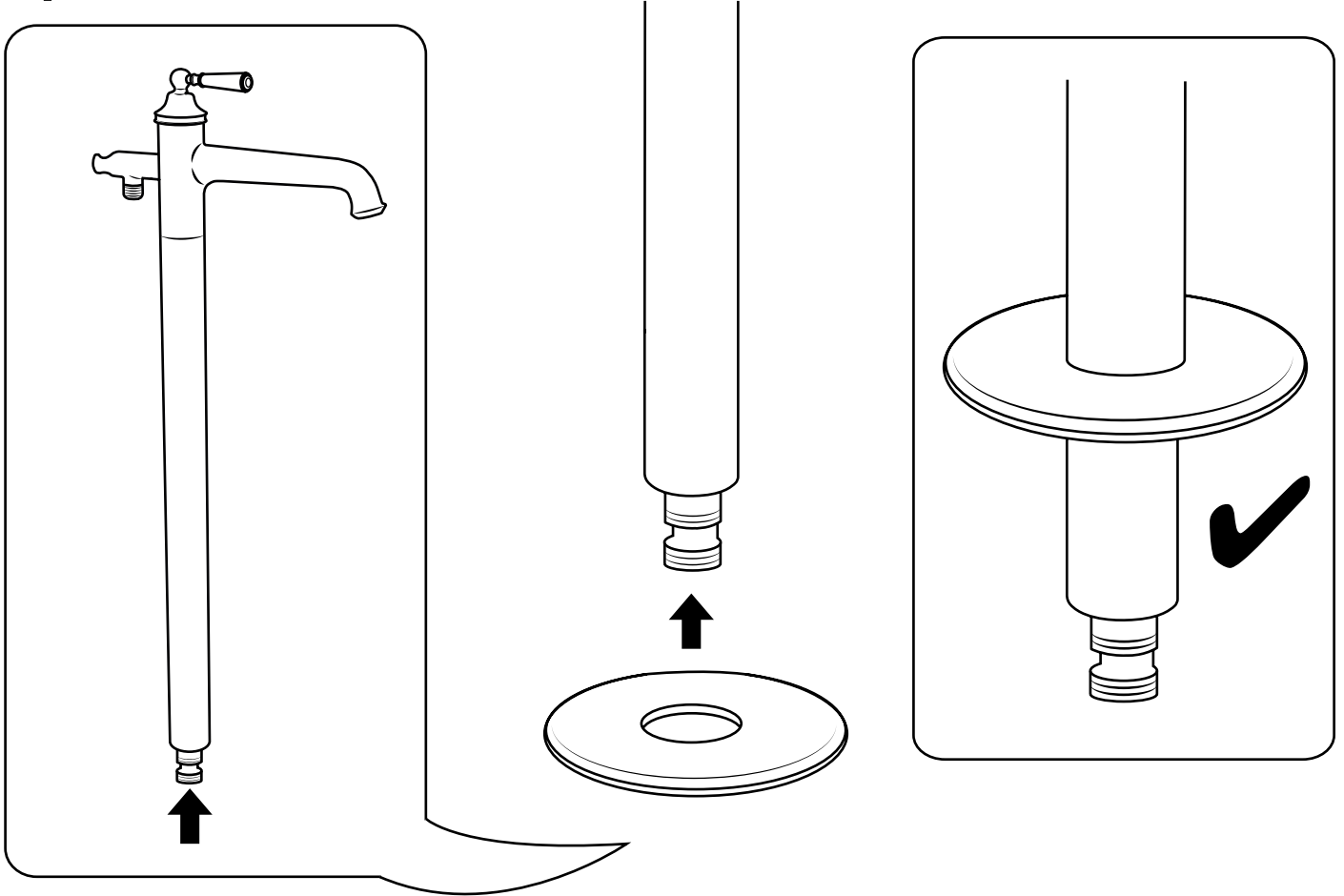
5 *Make sure the water supply is turned off and relieve the water pressure*



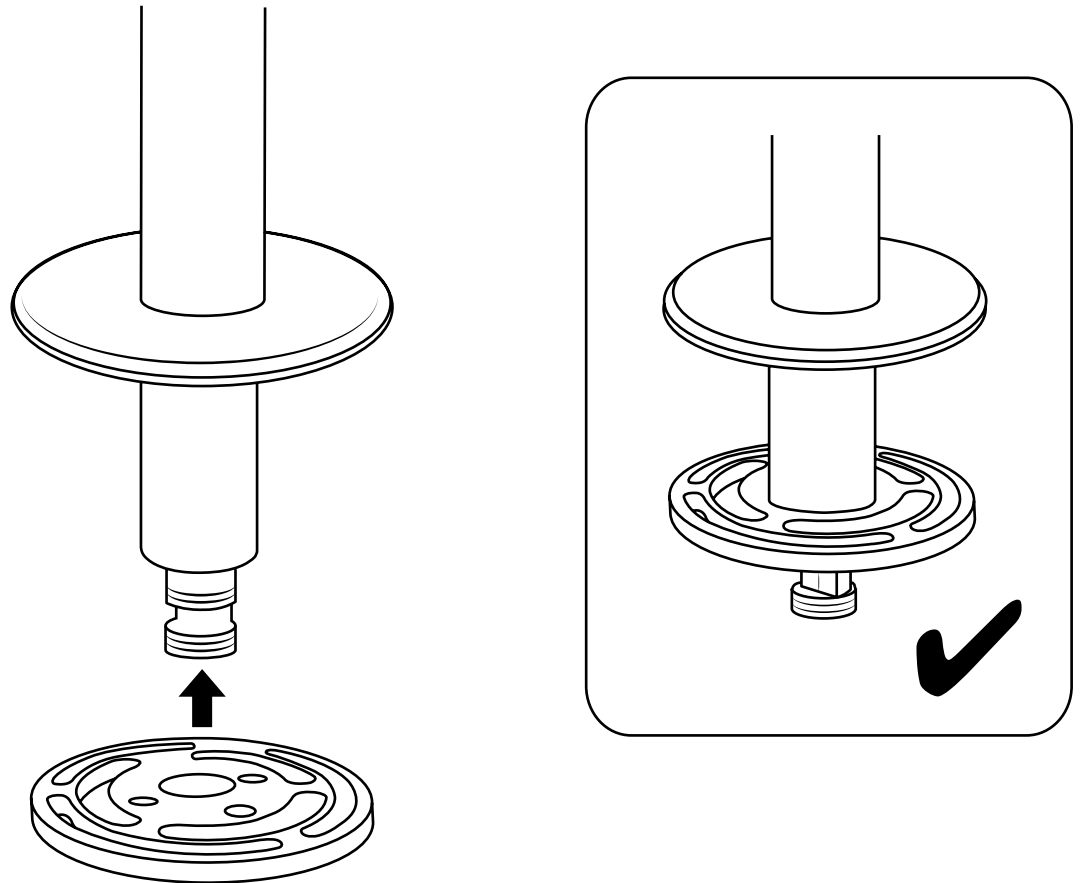
6



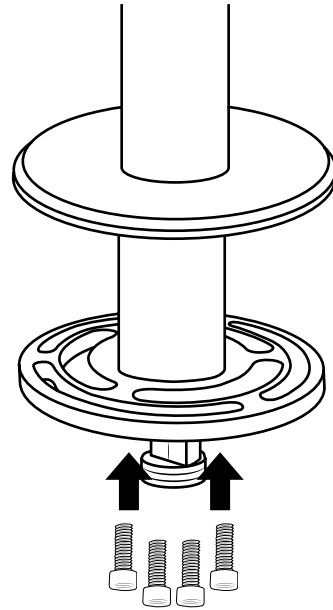
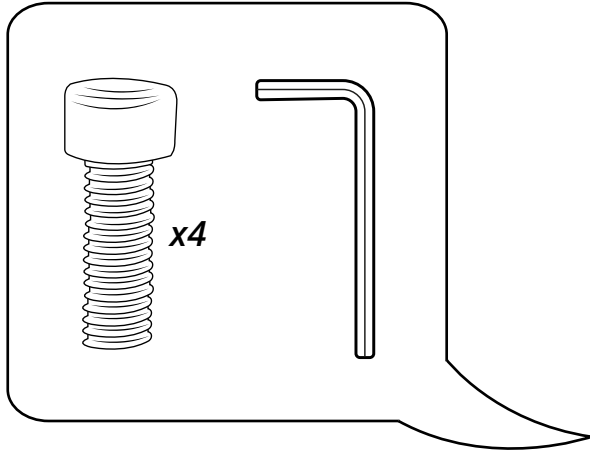
7



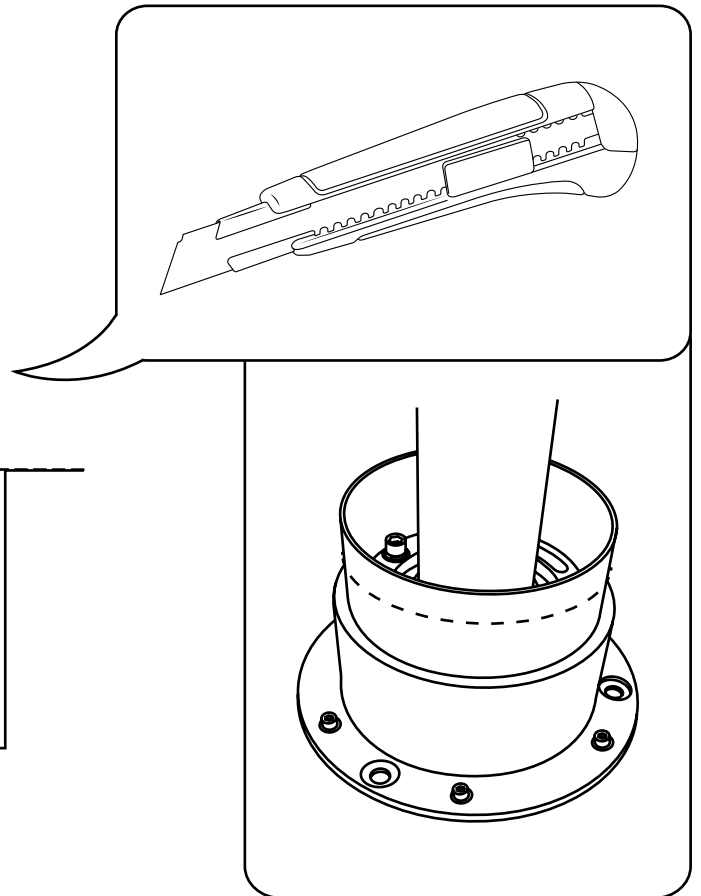
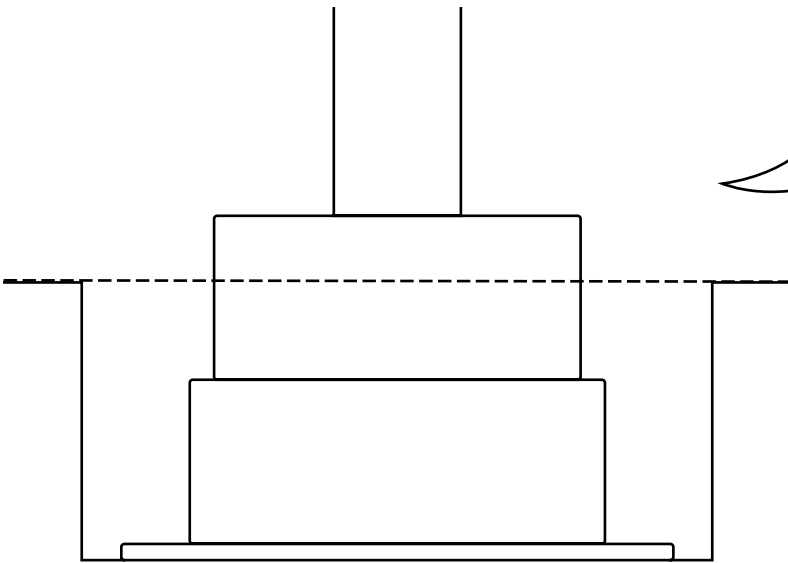
8



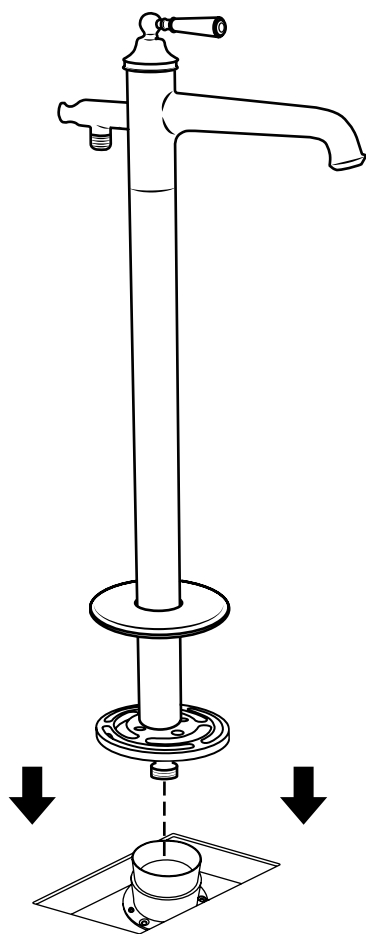
9



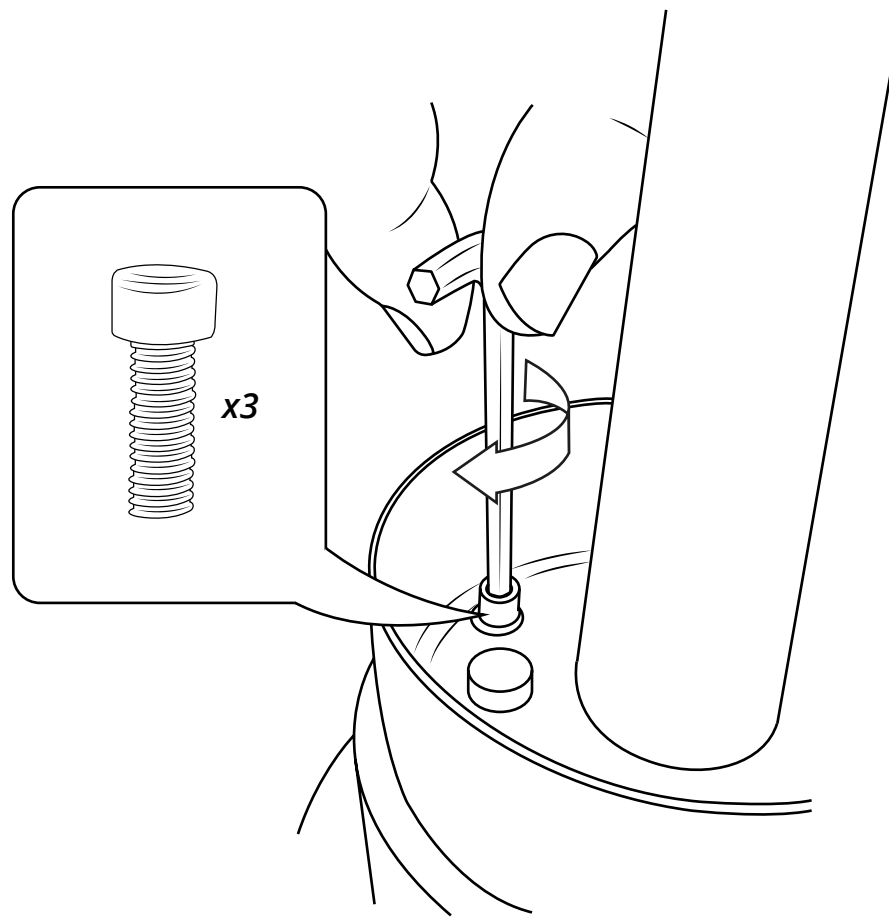
10



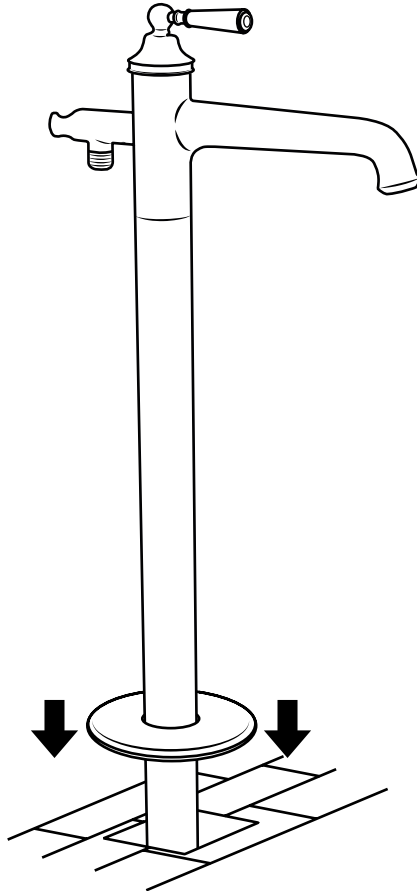
11



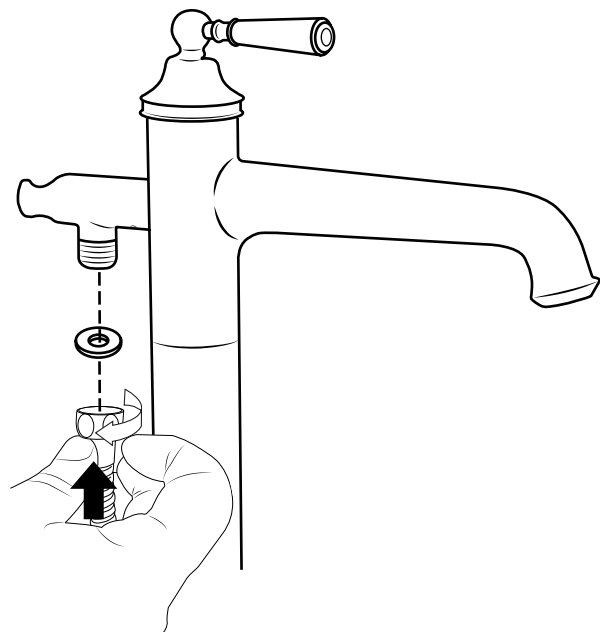
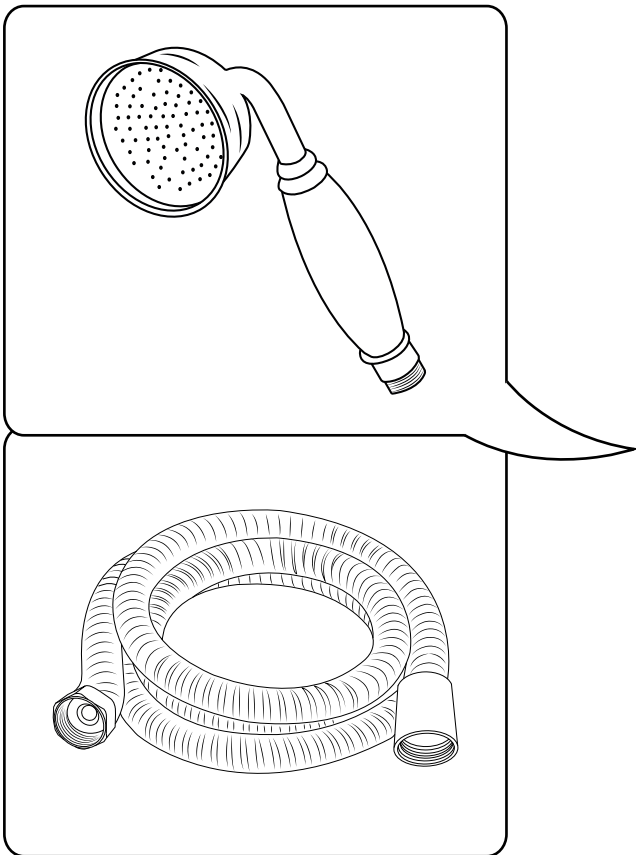
12



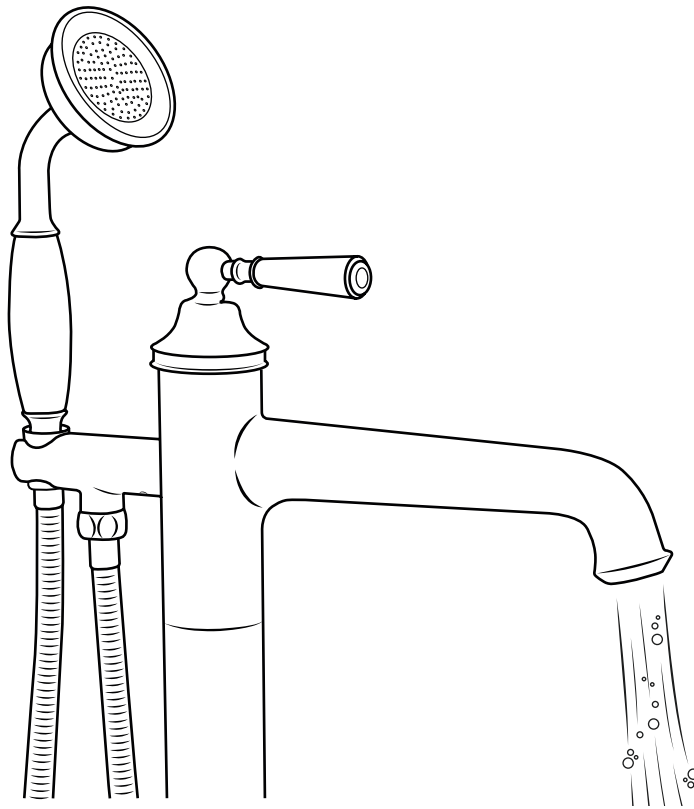
13



14



15



16

