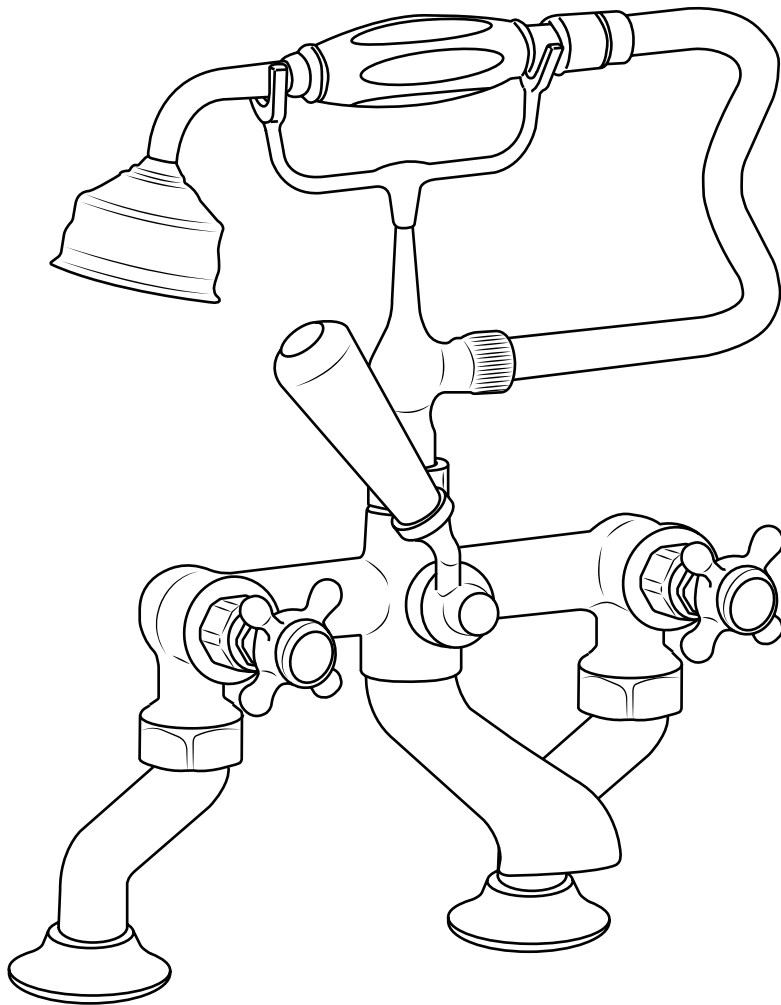


Milano

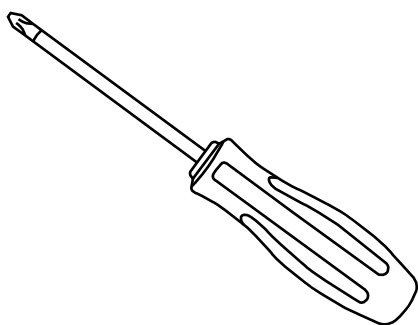
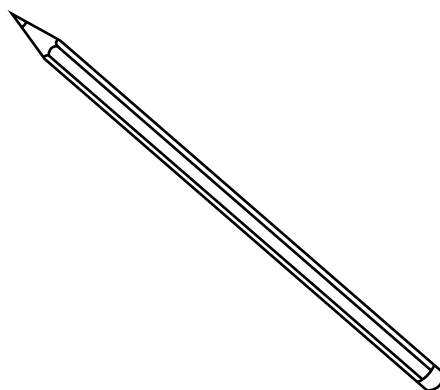
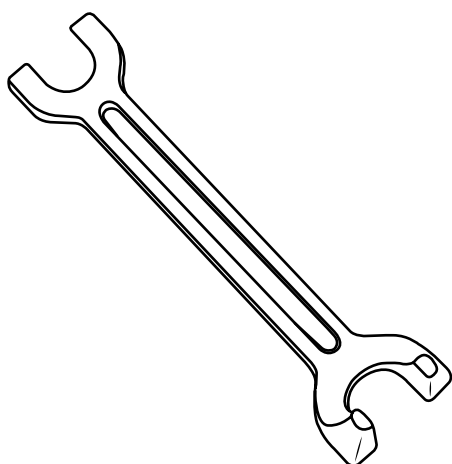
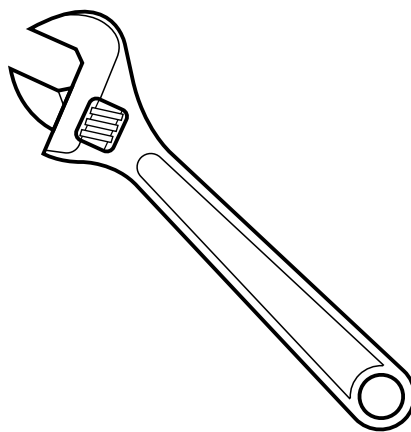
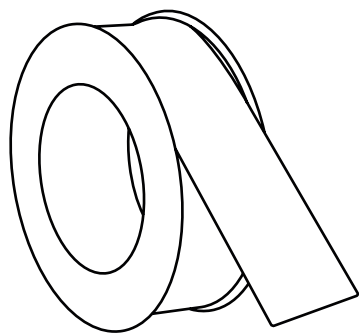
Traditional Deck Mounted Bath Shower
Mixer



Installation Guide

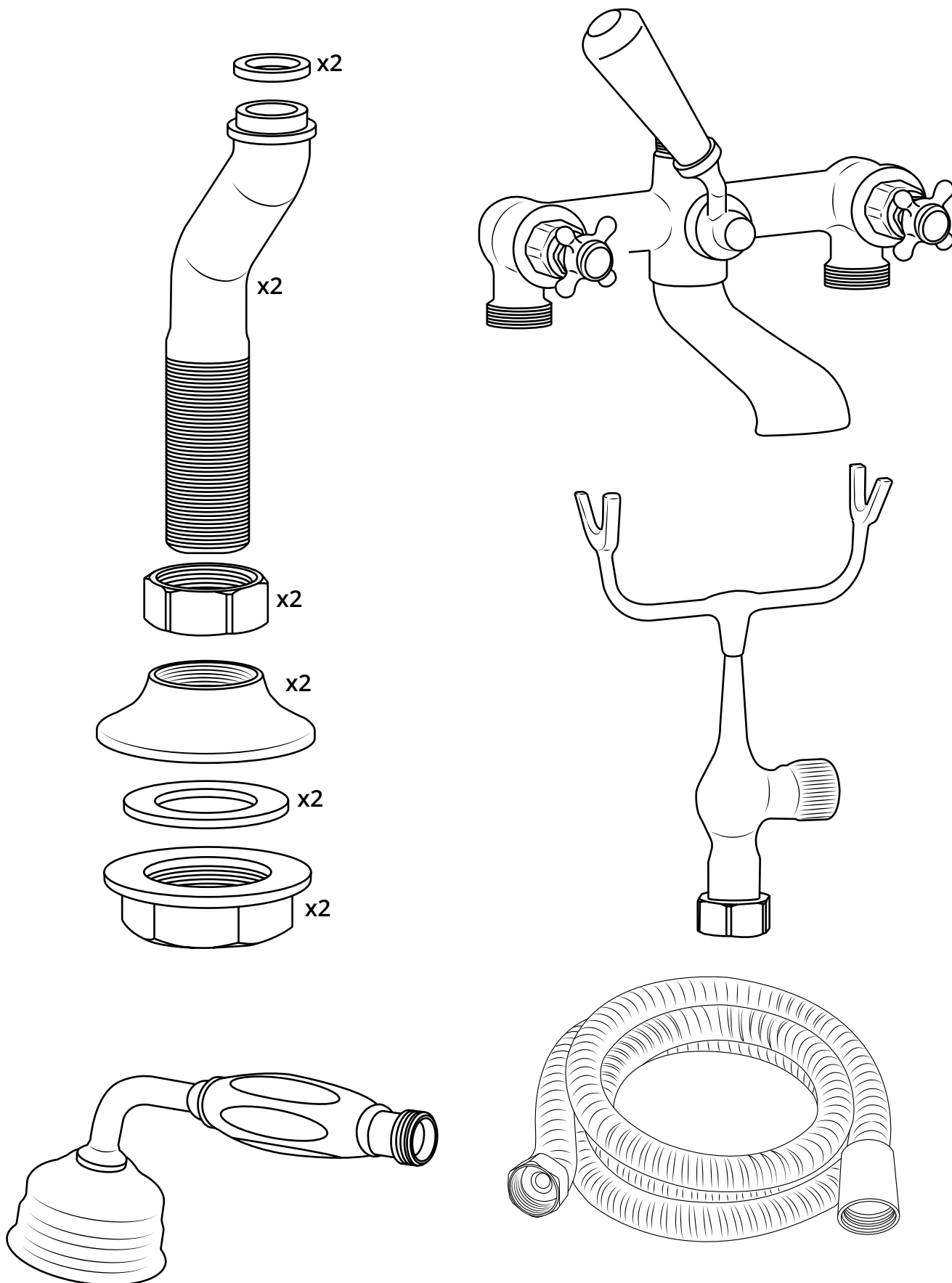
Installation

Tools required for installing:

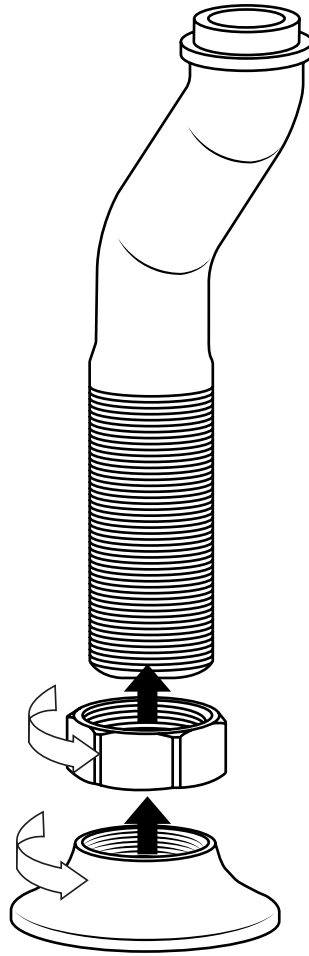


Installation

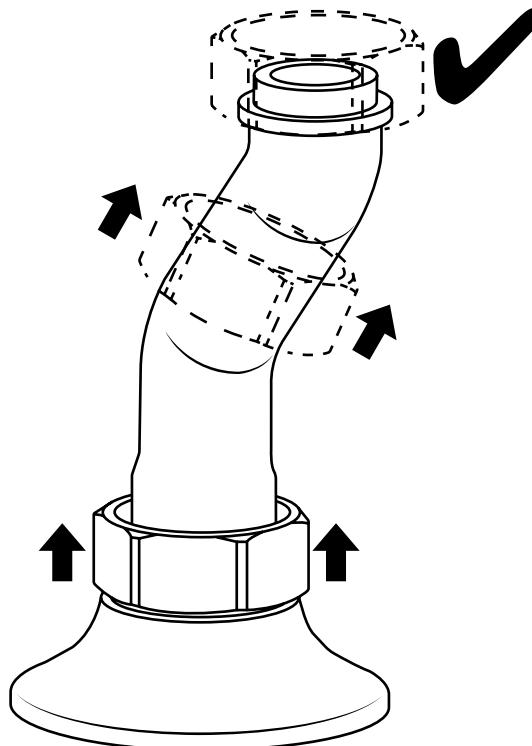
Parts included:



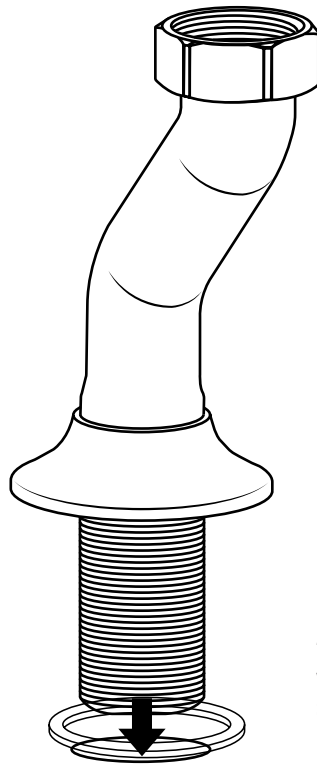
1



2

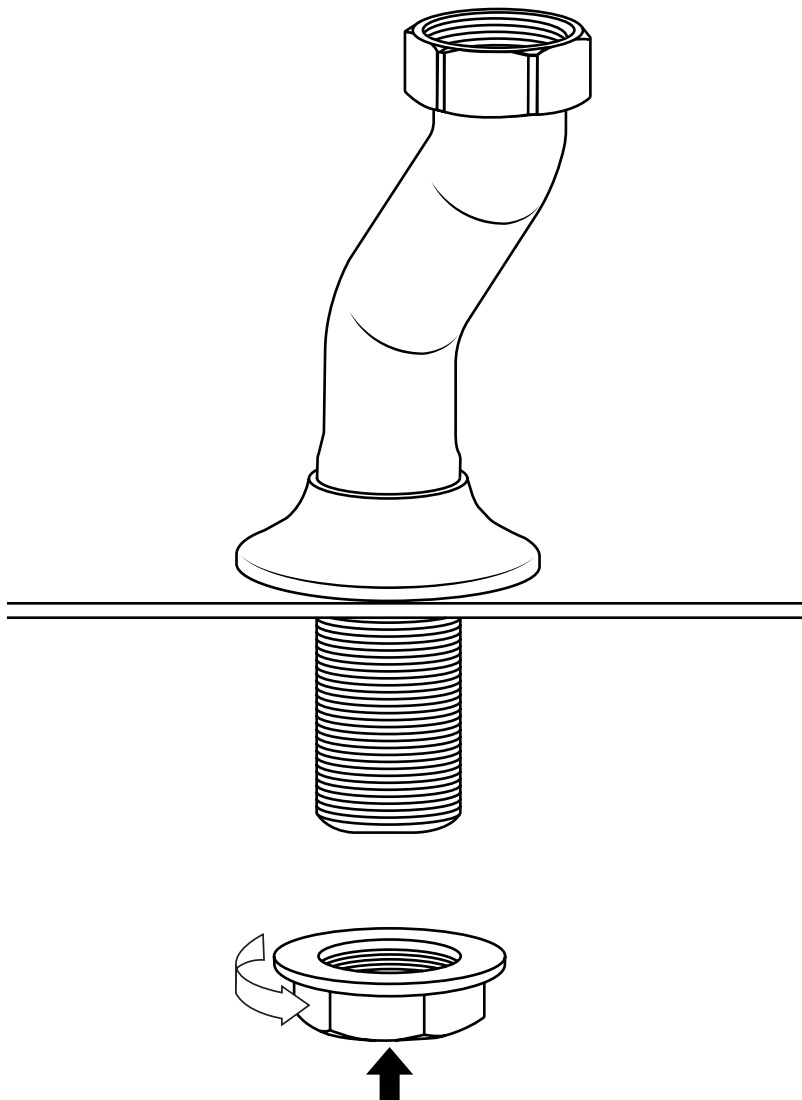


3

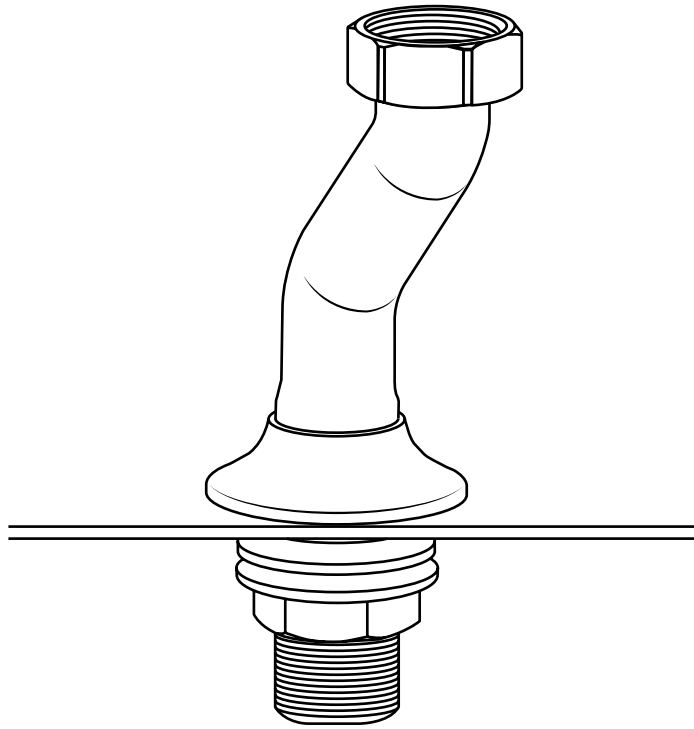


Remember to install the 'O' ring o washer between the mixer body & sanitary ware

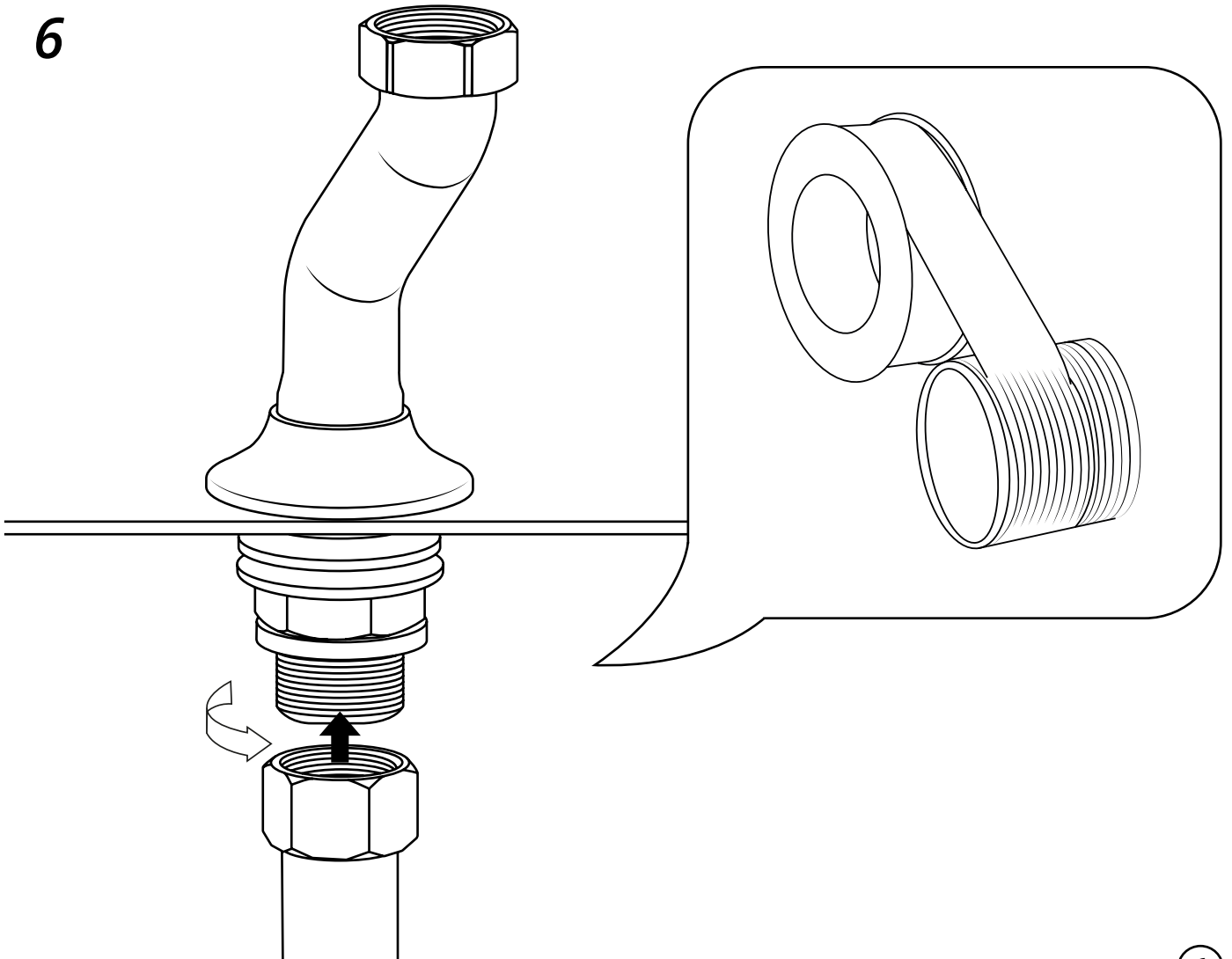
4



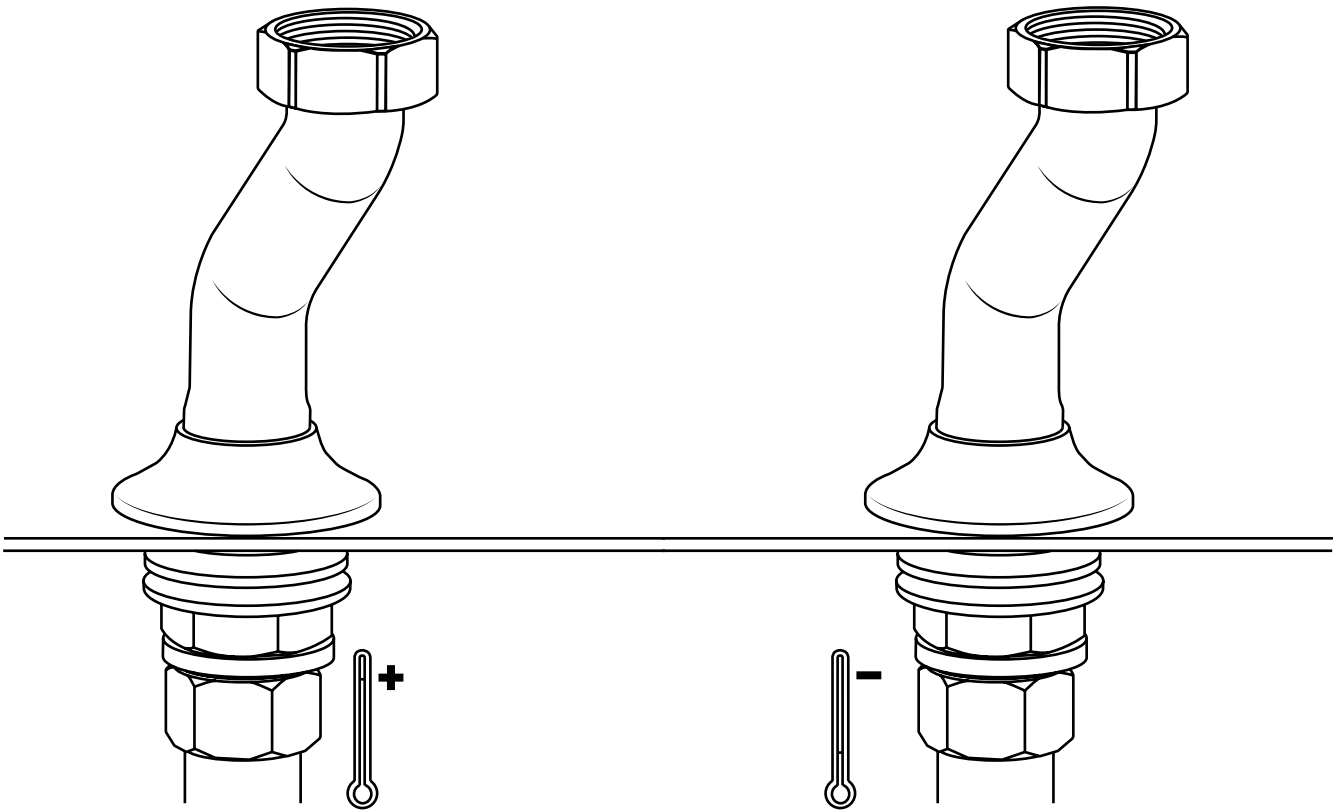
5



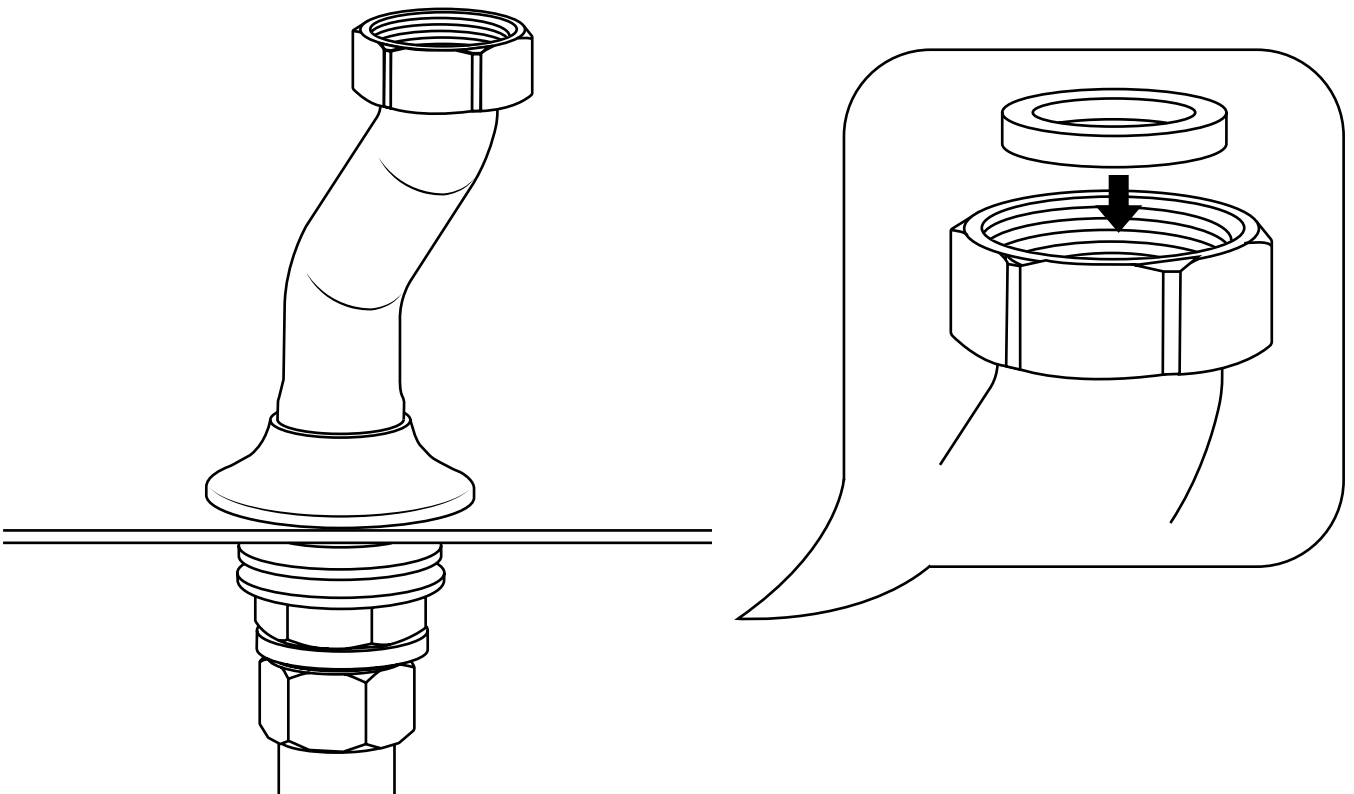
6



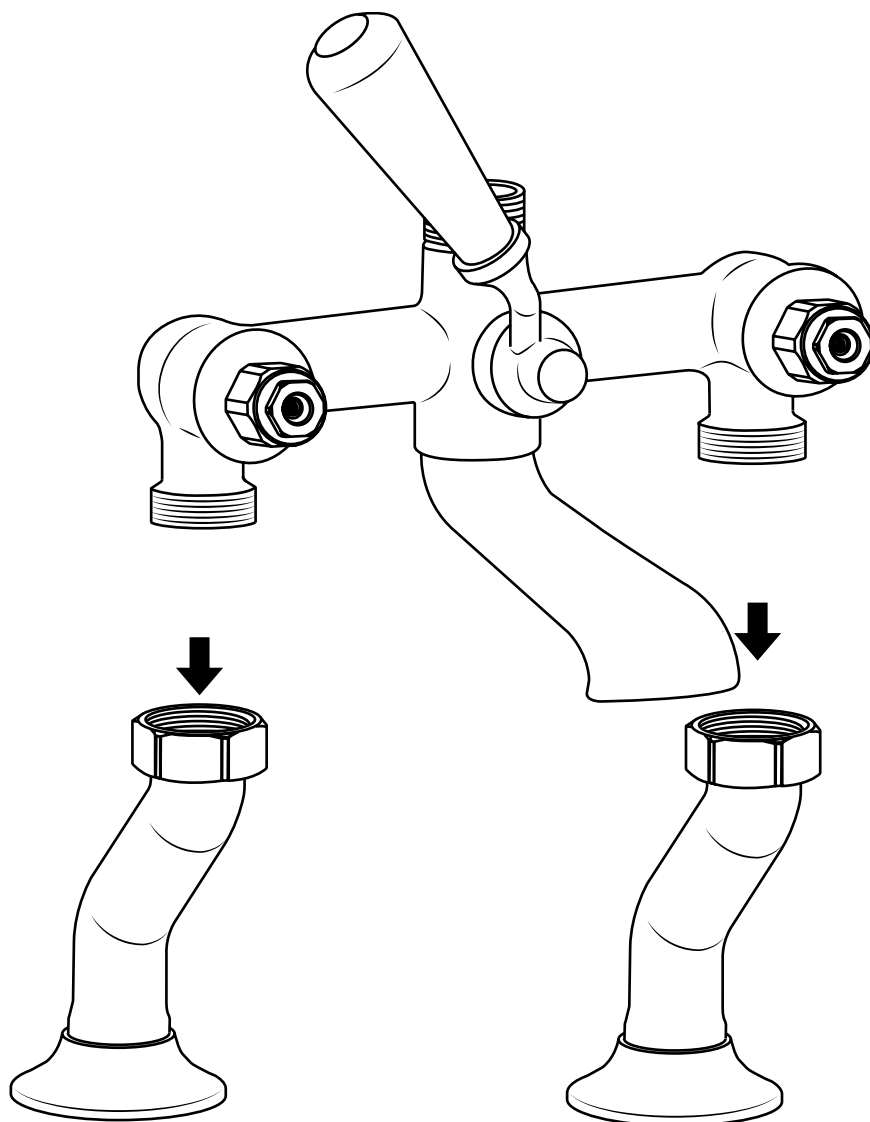
7



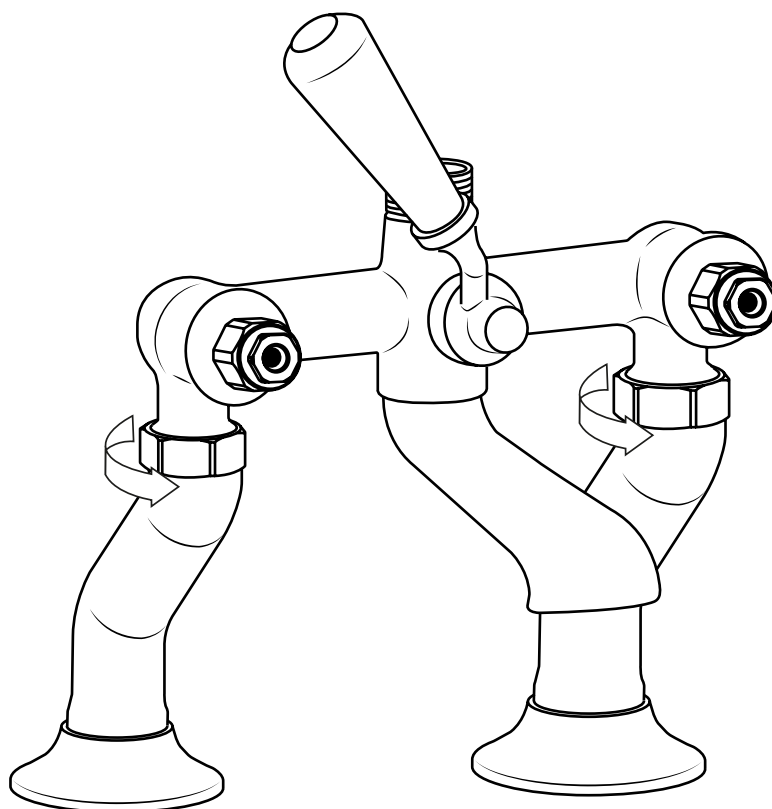
8



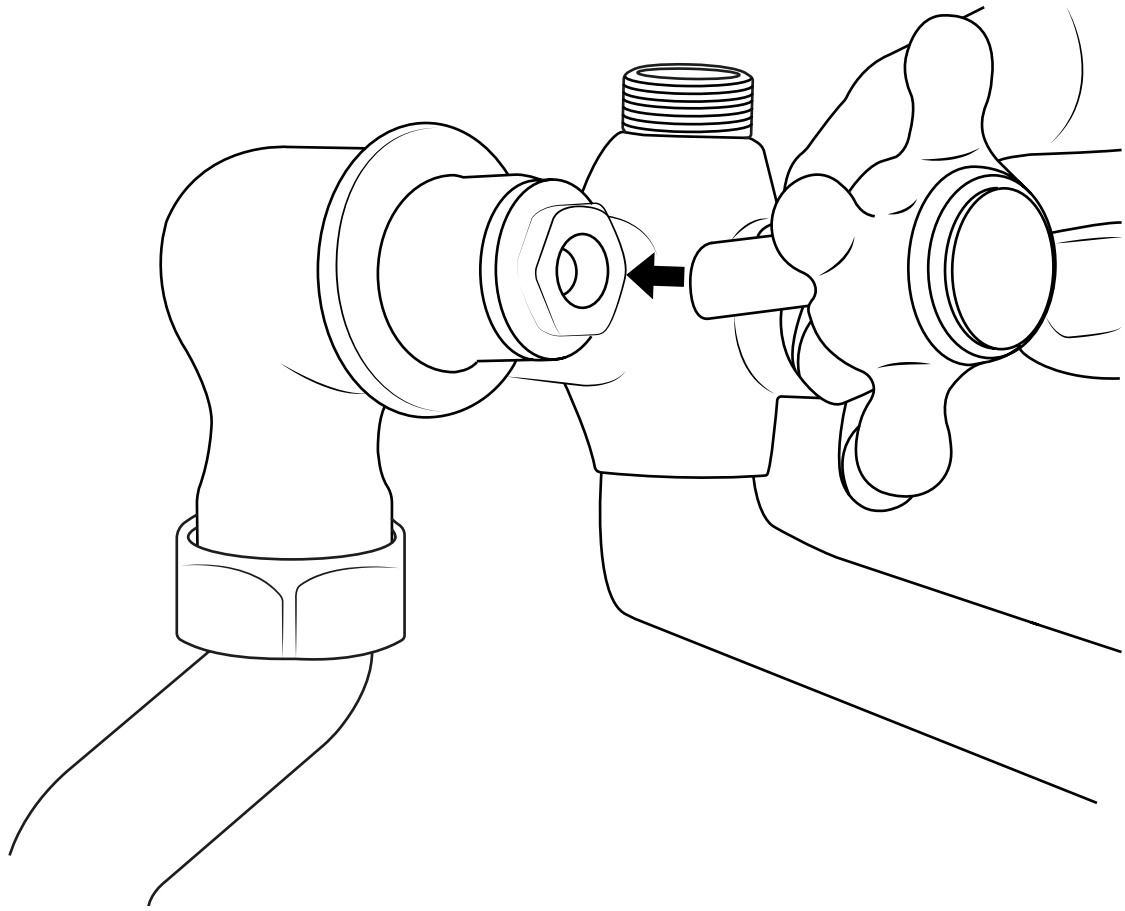
9



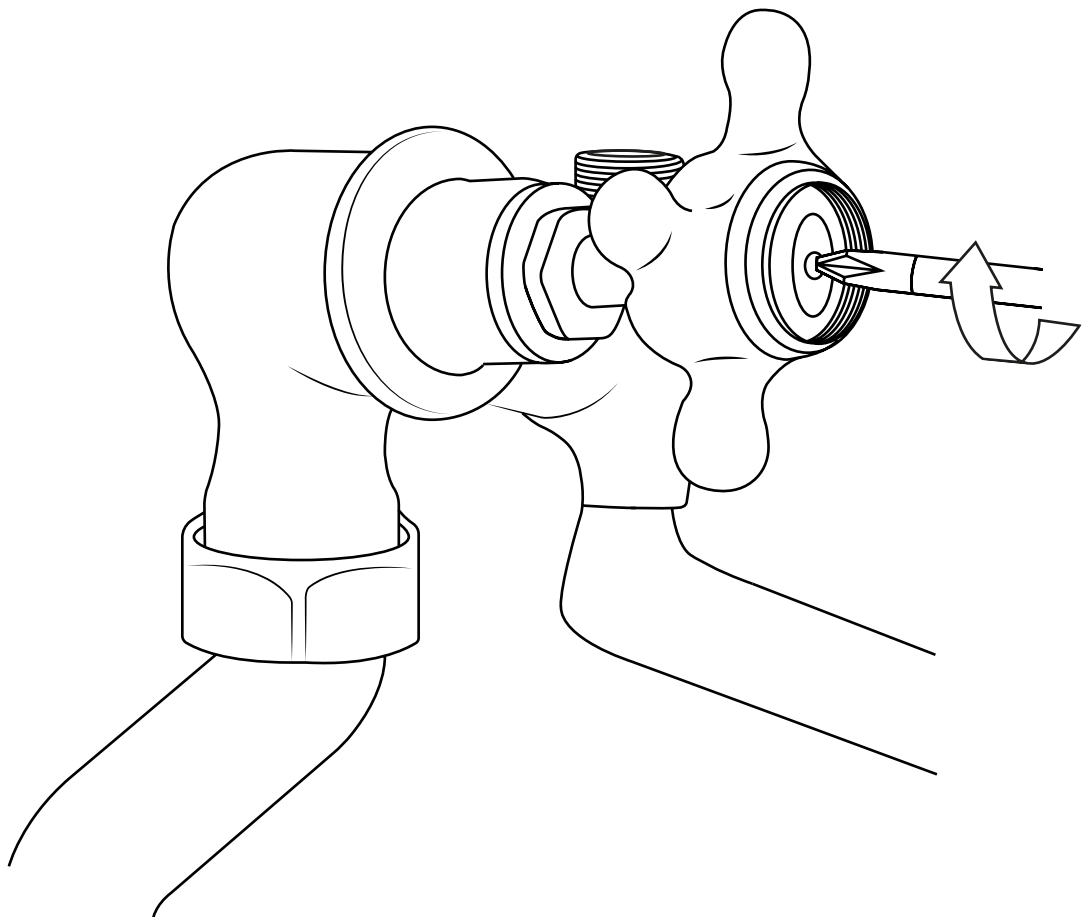
10



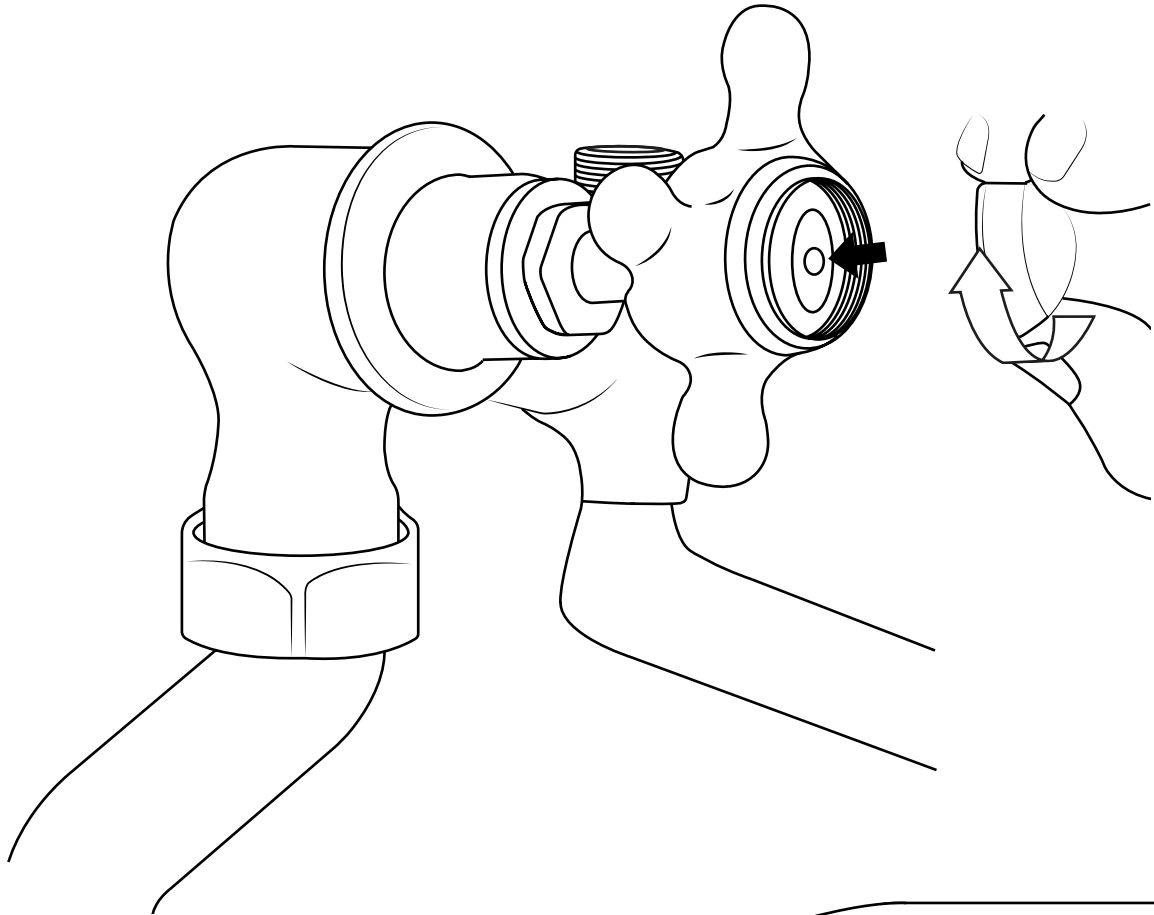
11



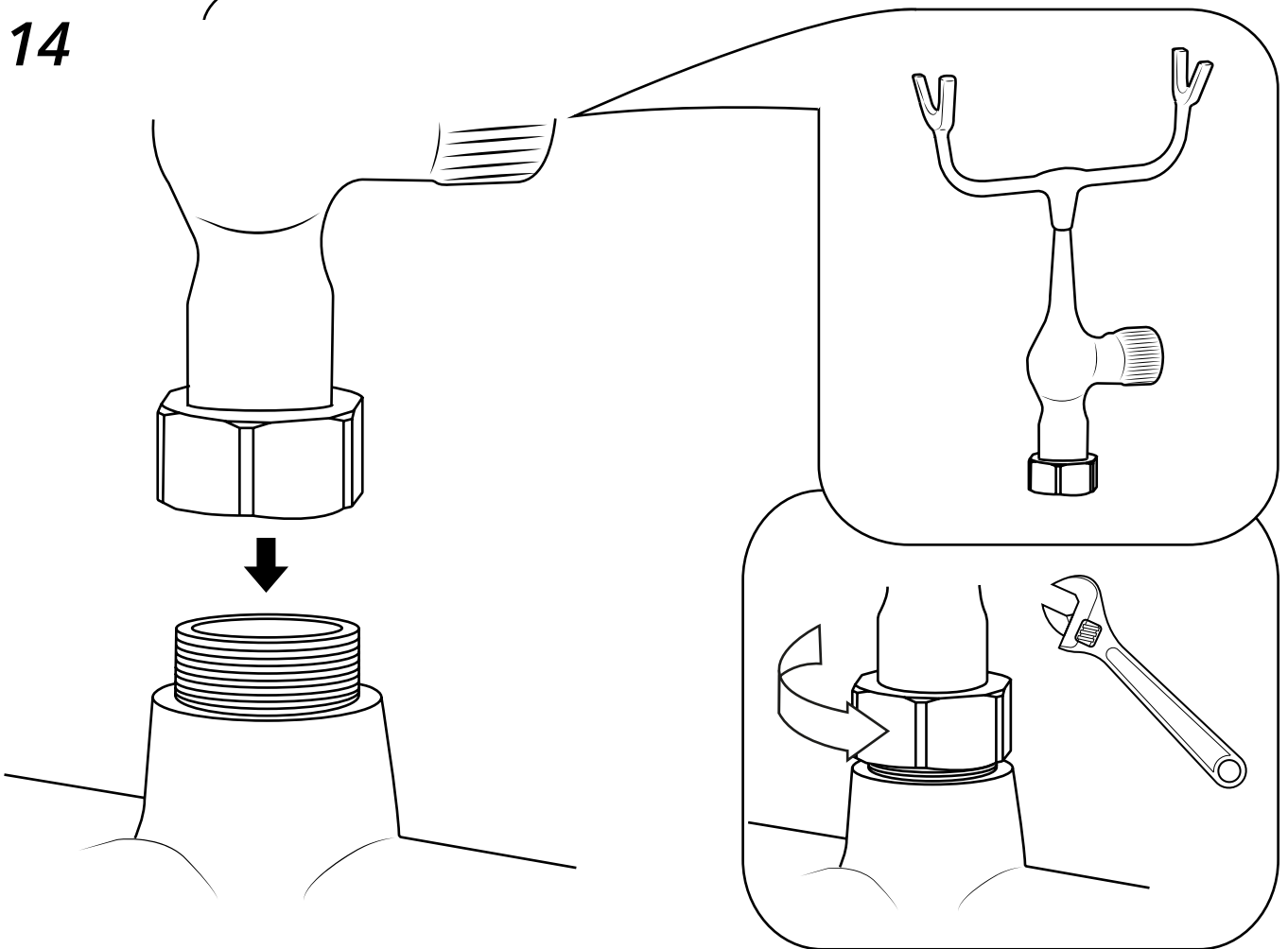
12



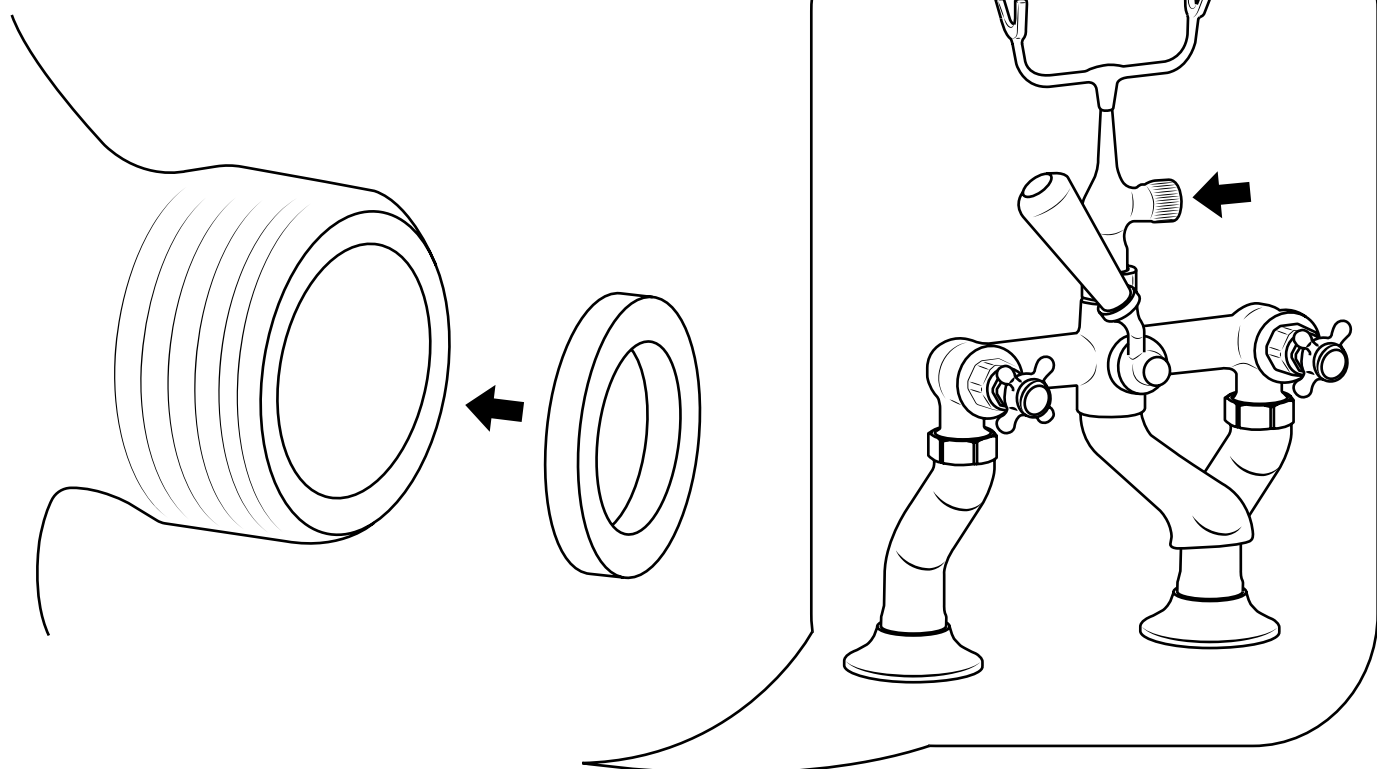
13



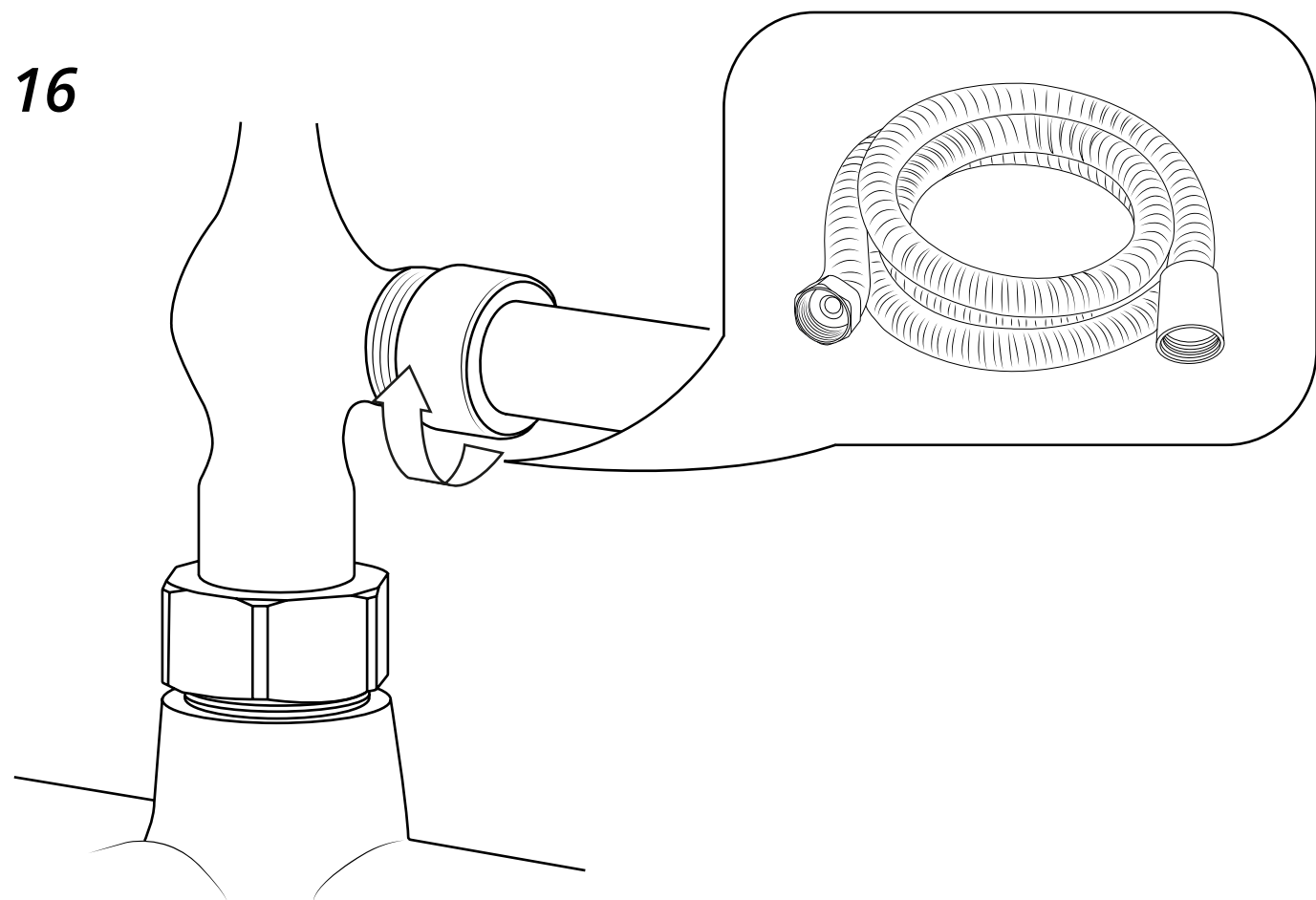
14



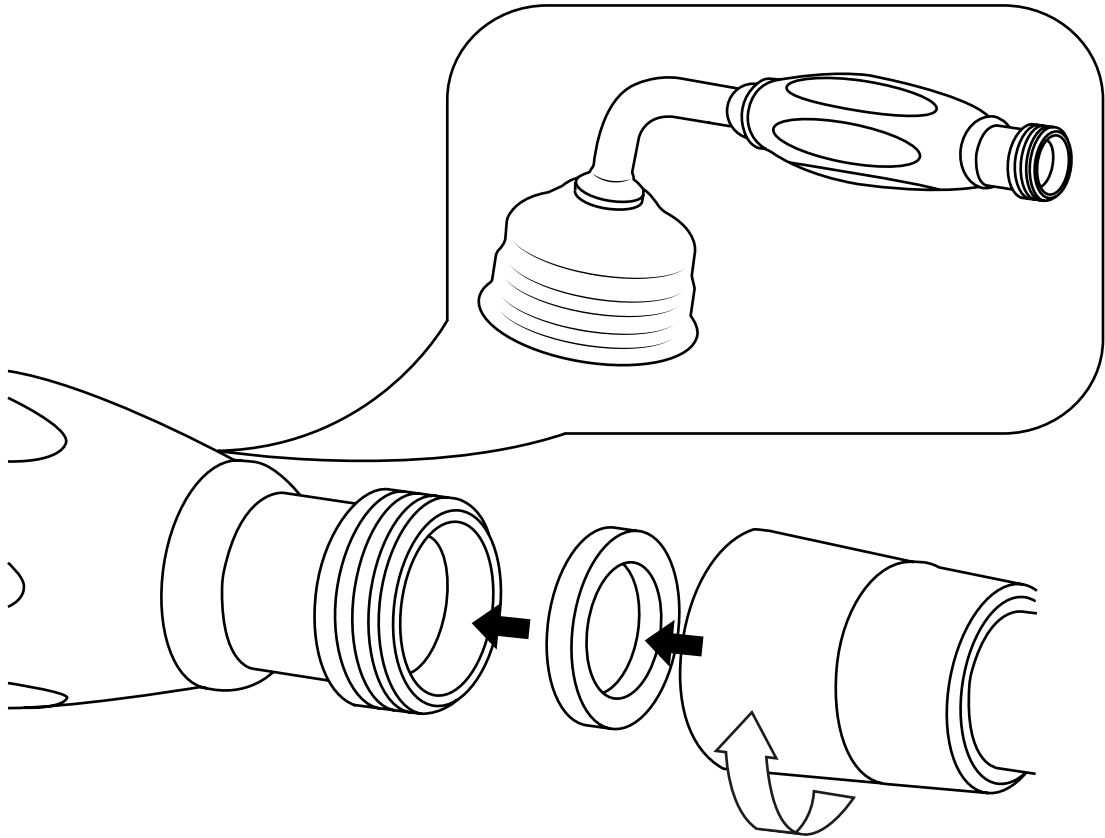
15



16



17



18

