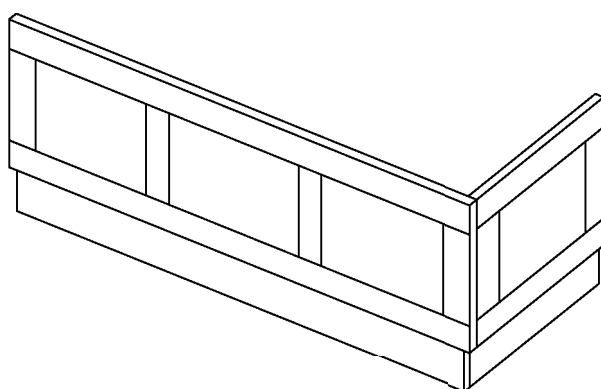



Milano

Bath Panel

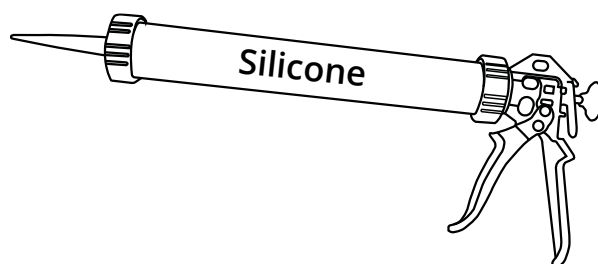
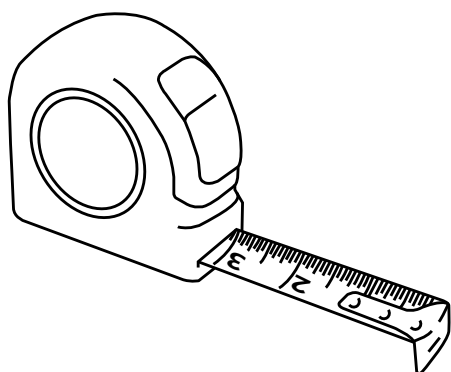
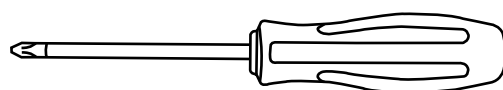
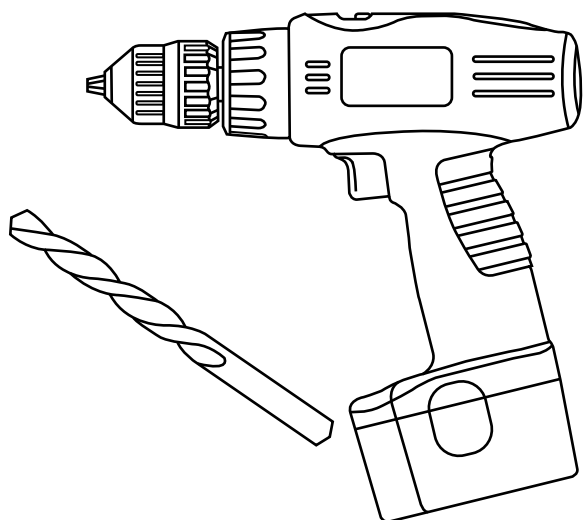


 Style may vary

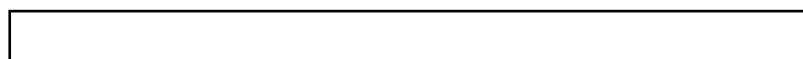
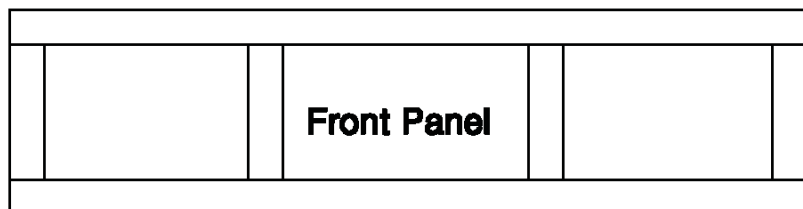
Installation Guide

Installation

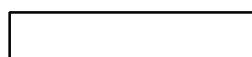
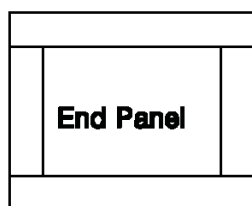
Tools required for installing:



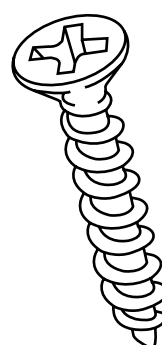
Parts included:



Plinth

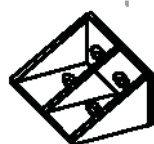


Plinth

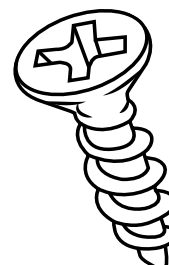


x8

Ø4x25mm



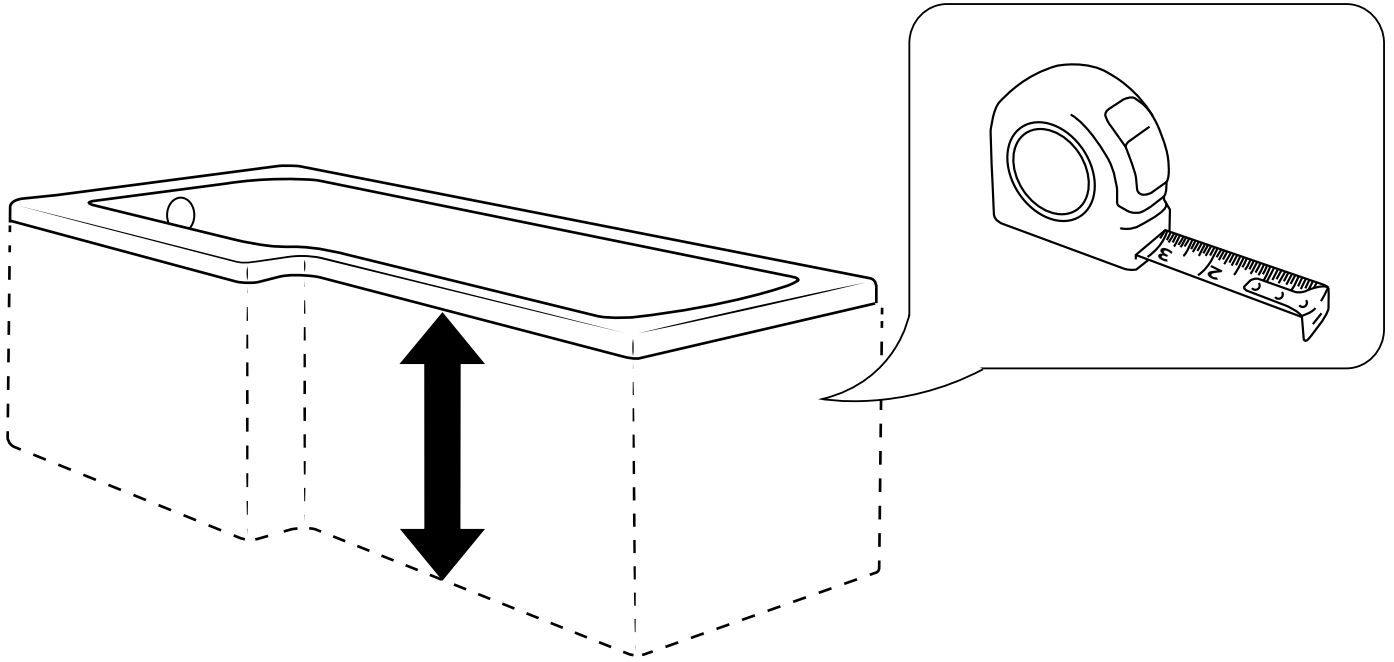
x4



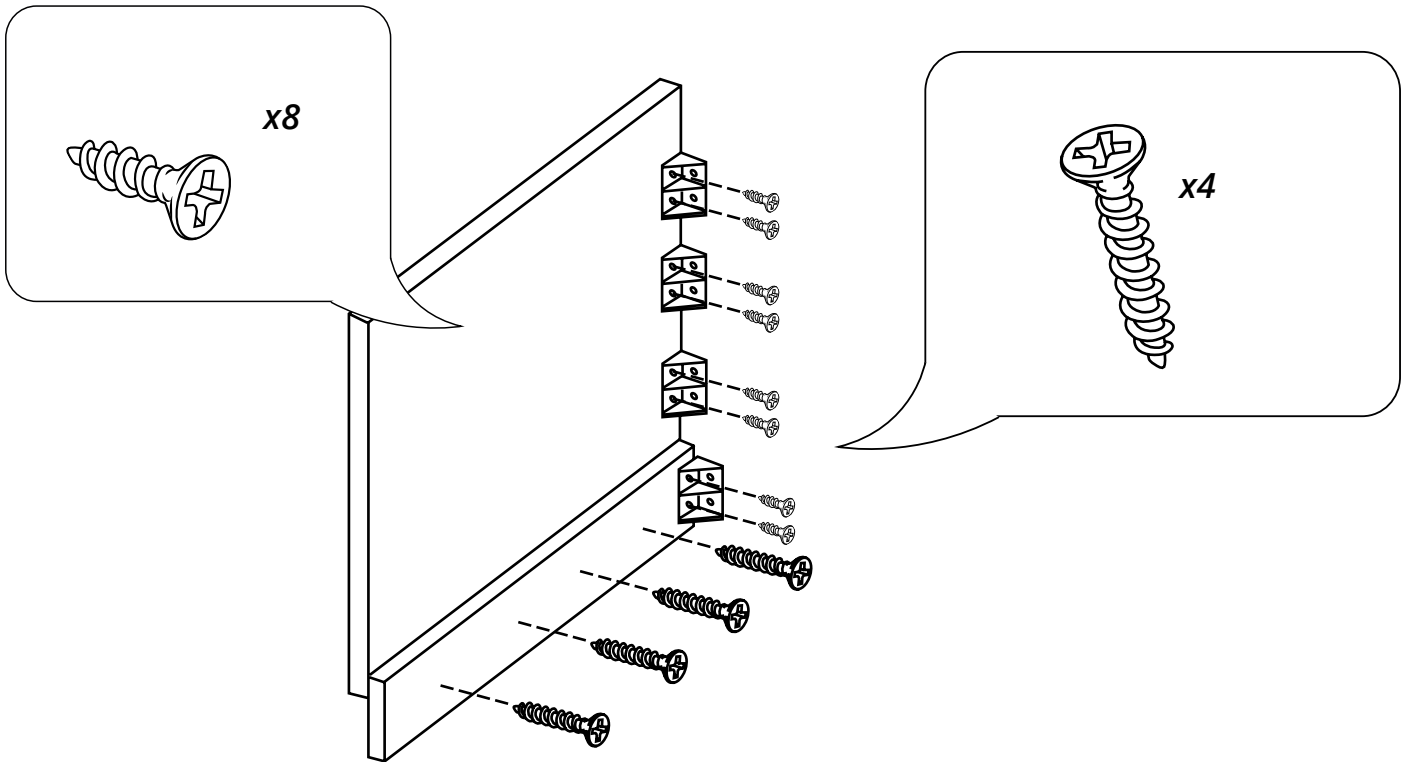
x4

Ø3.5x14mm

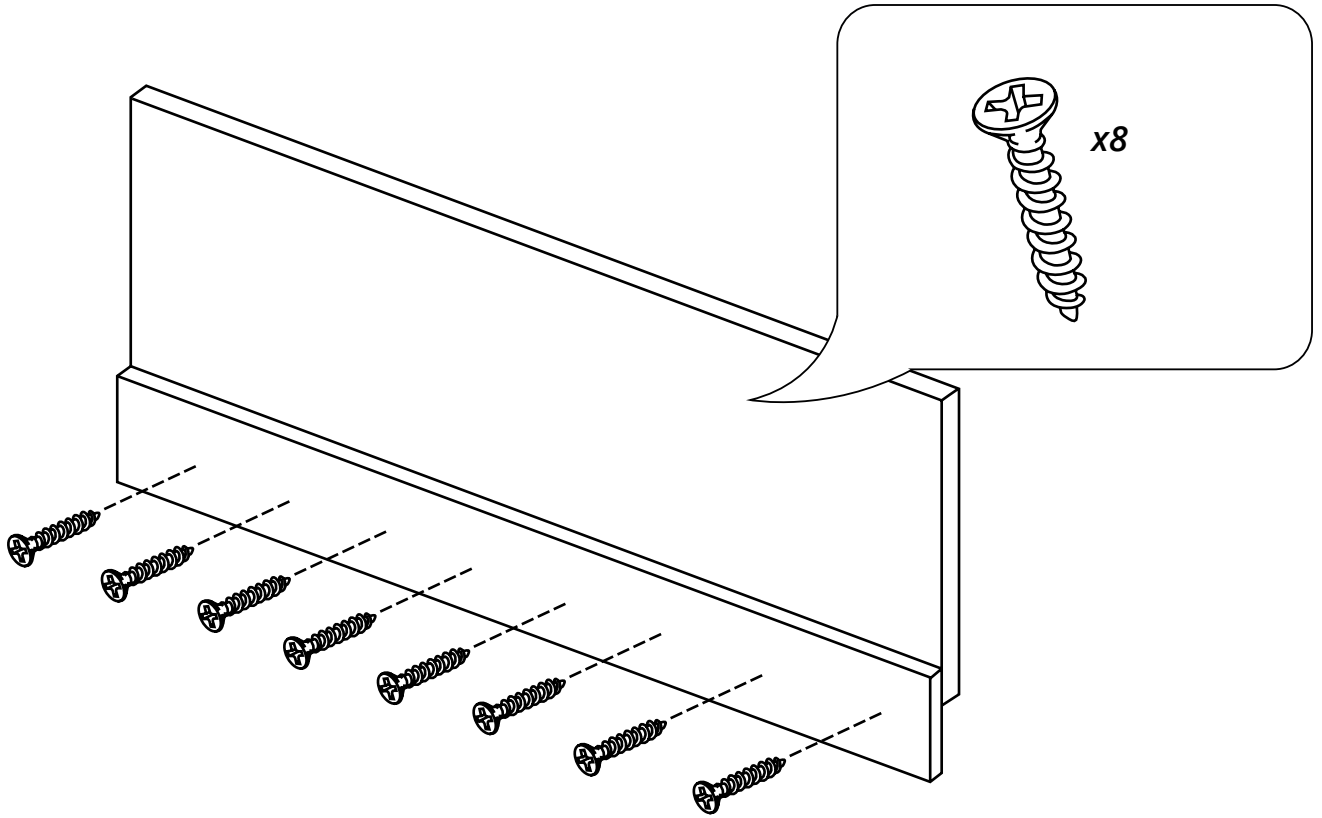
1



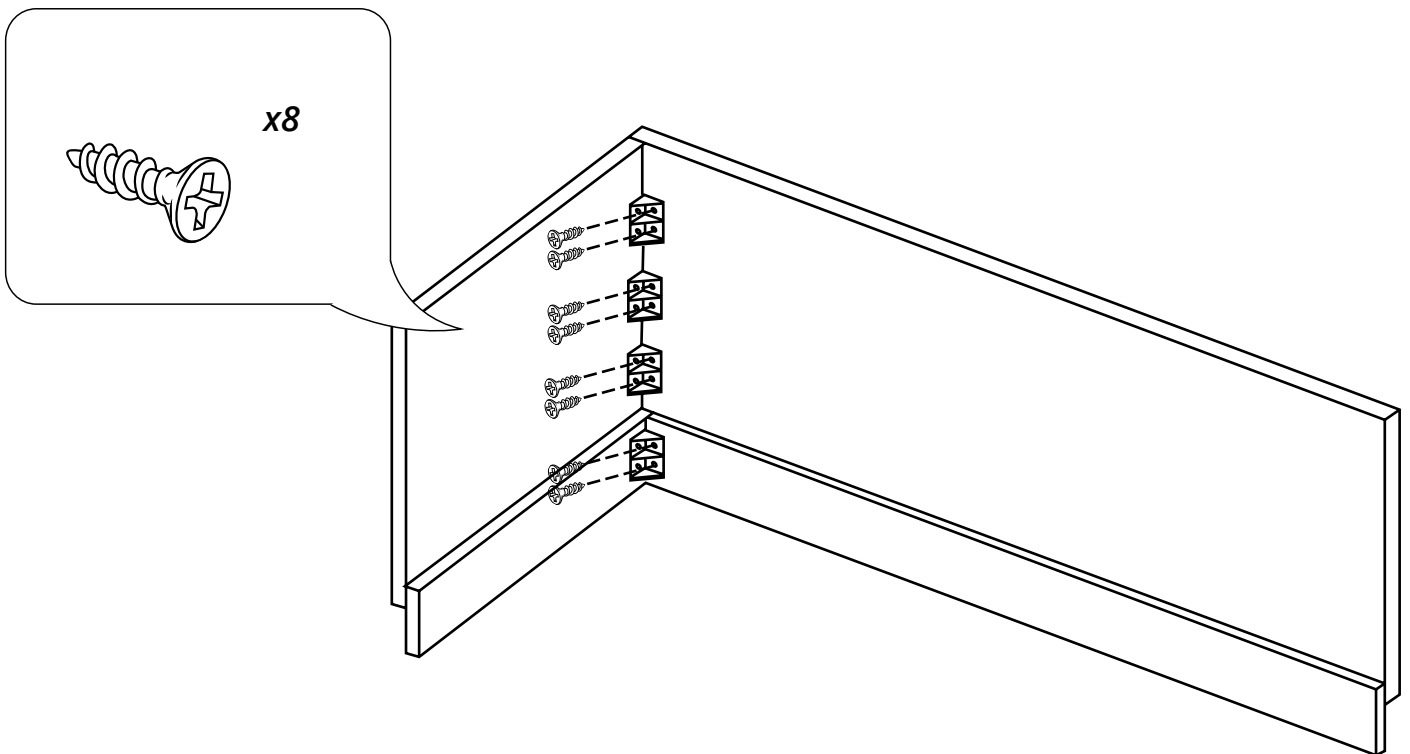
2



3



4



5

