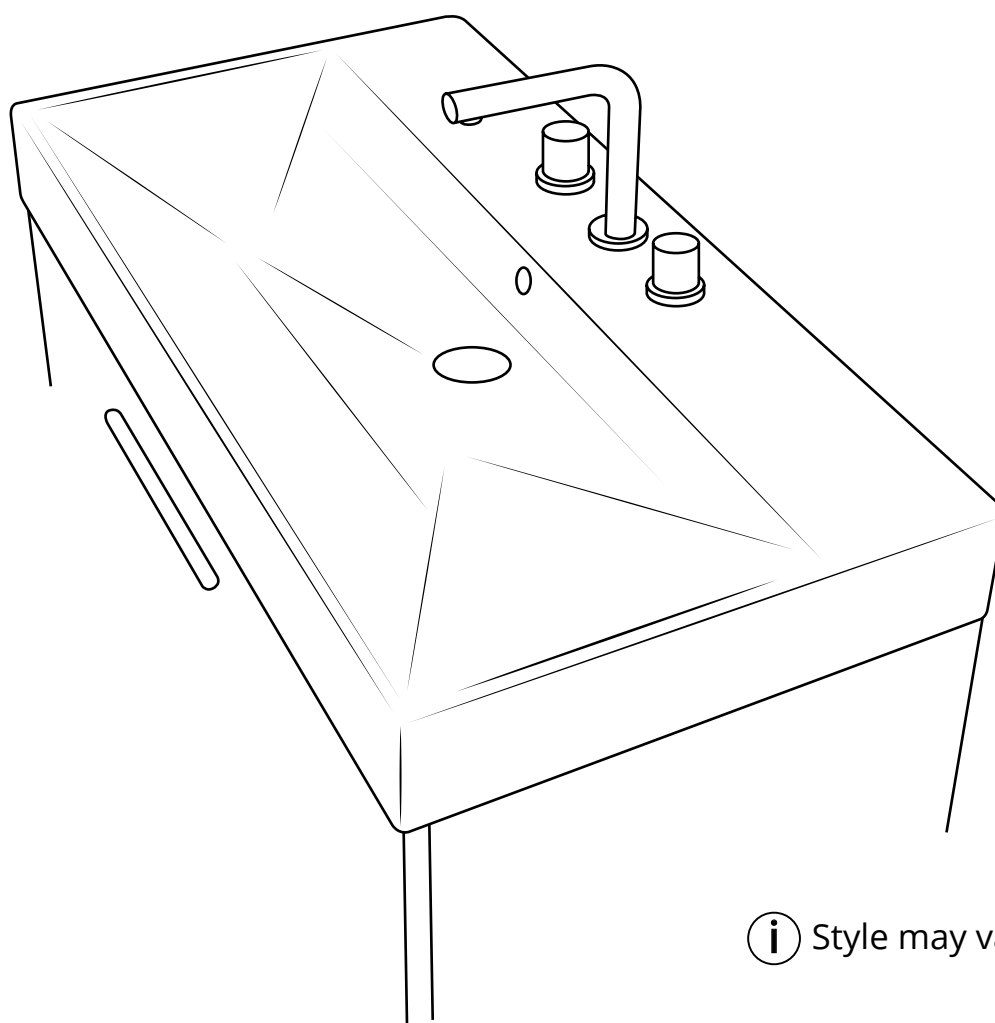



Milano

Drilling Tap Holes

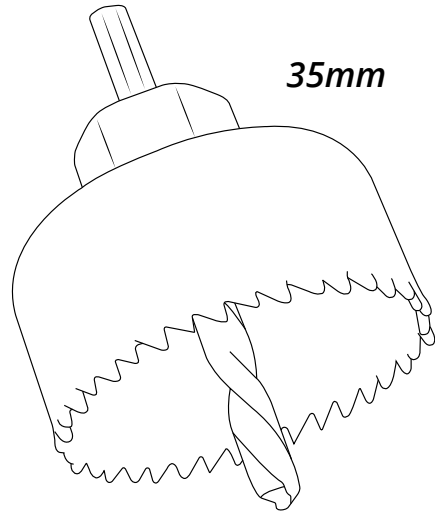
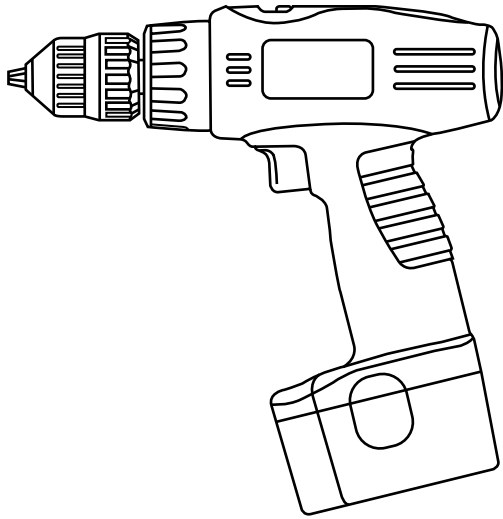


 Style may vary

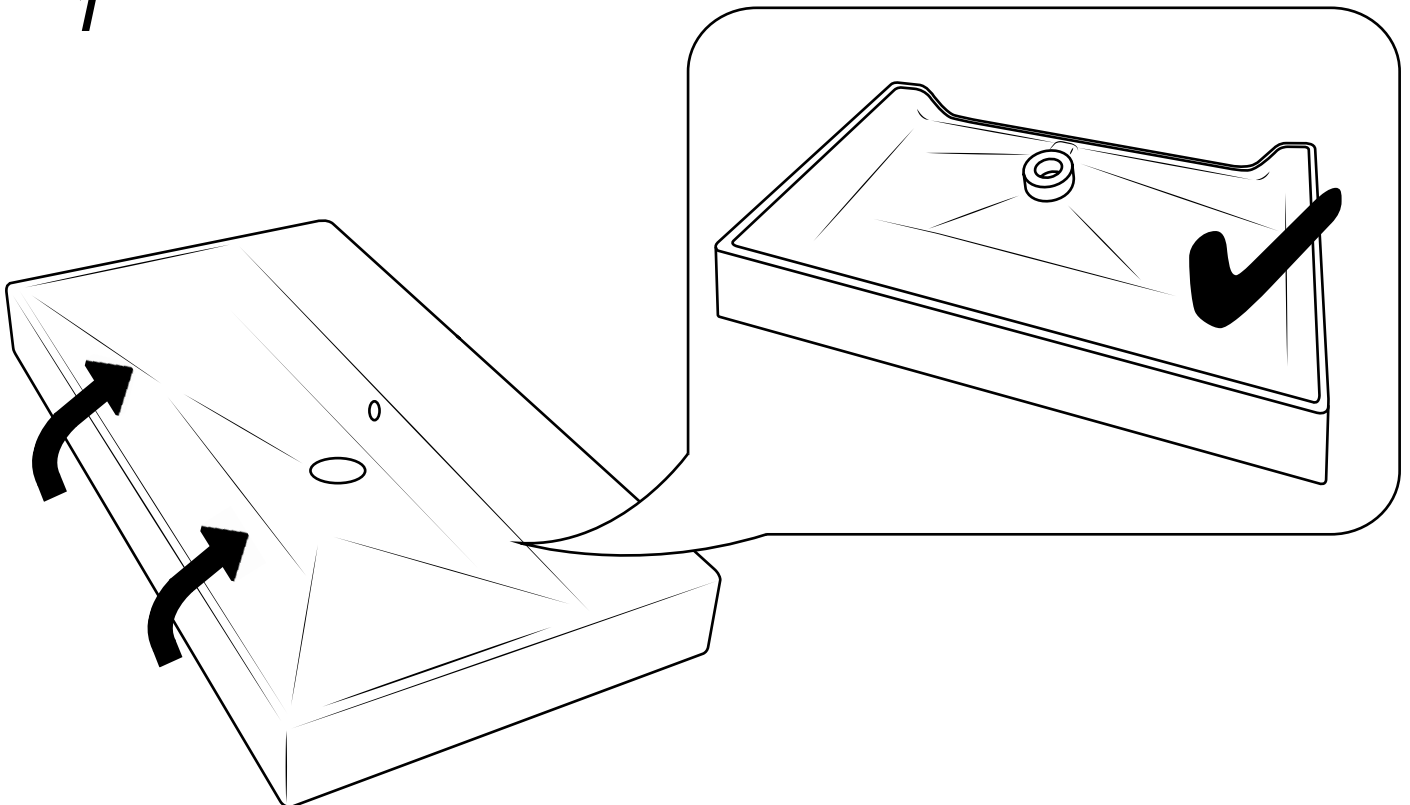
Installation Guide

Installation

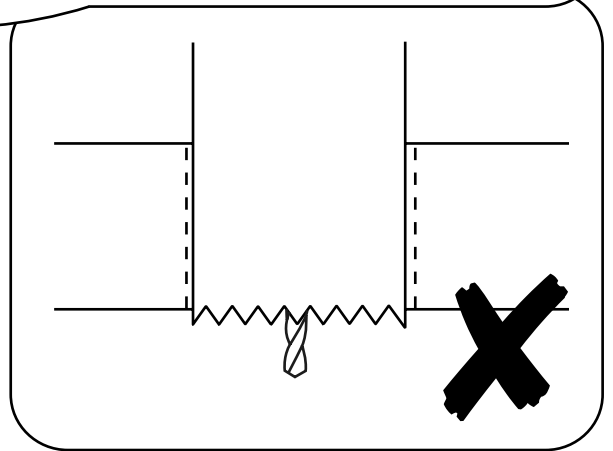
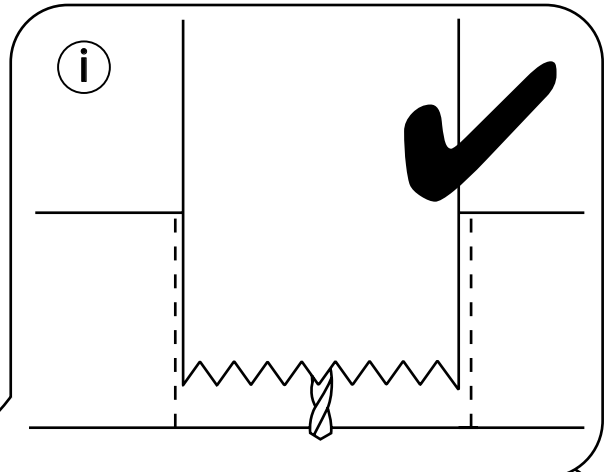
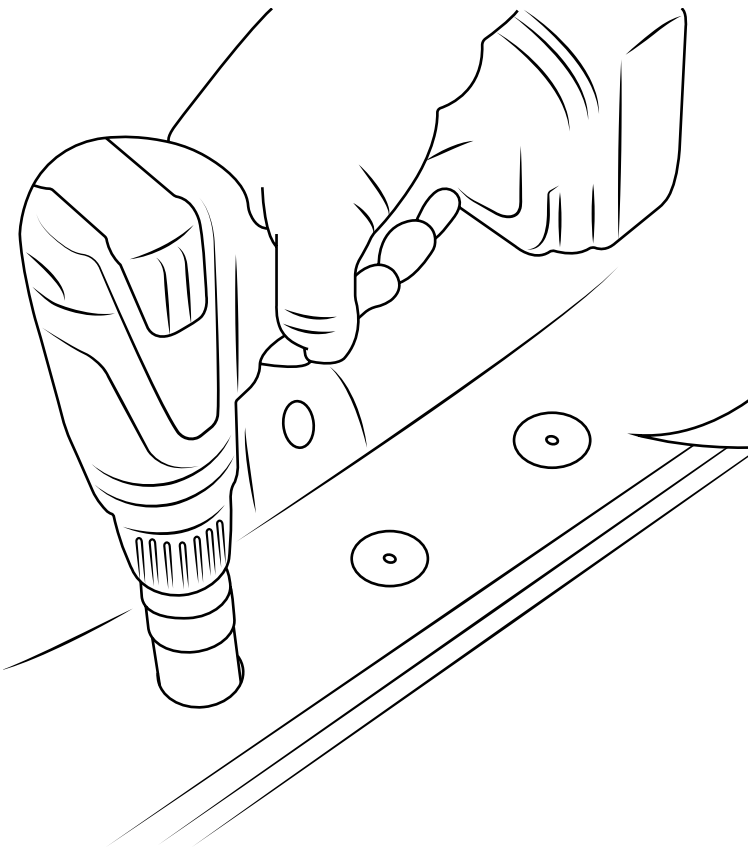
Tools required for installing:



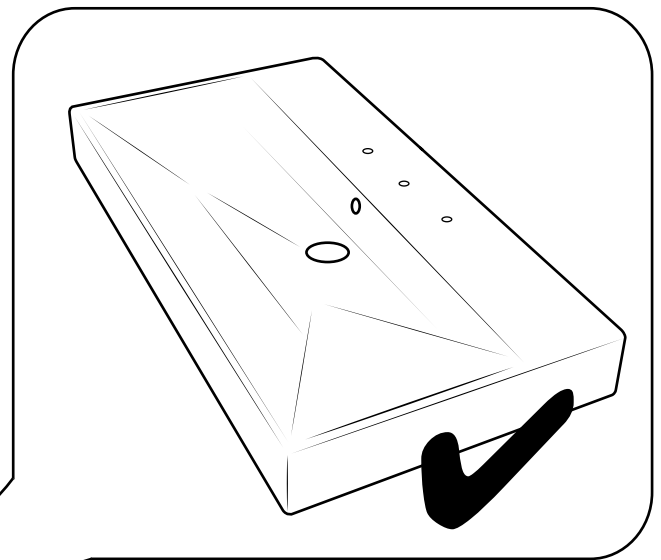
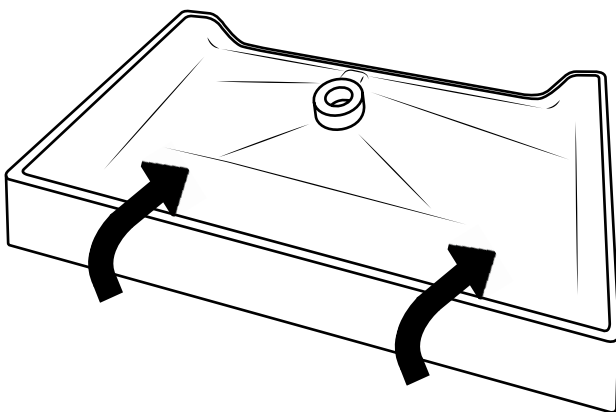
1



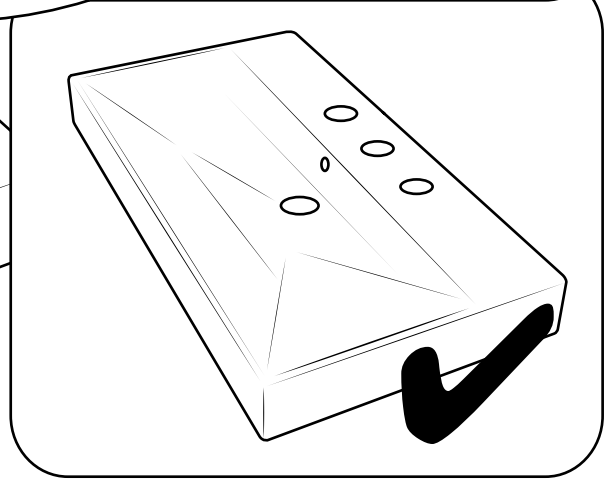
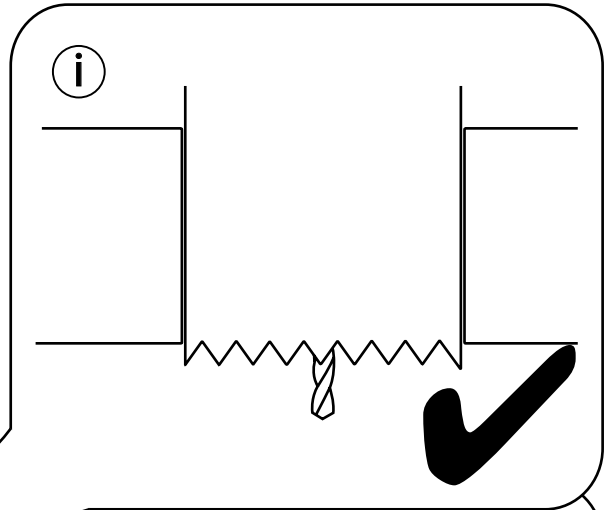
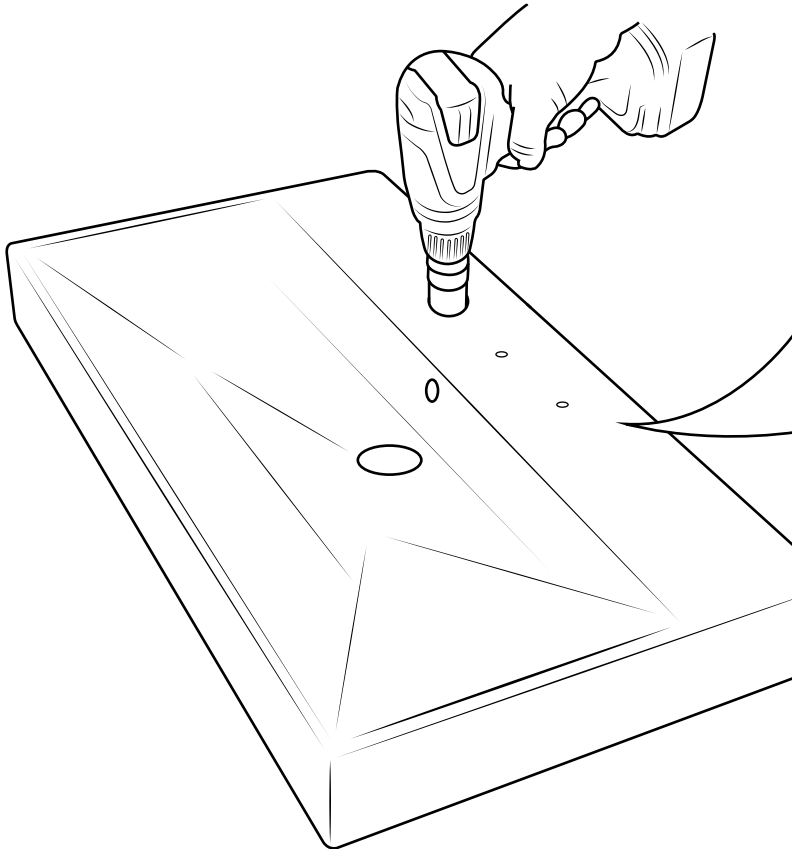
2



3



4



5

