

Torino Radiator

Installation Guide

Contents

Product Information **Page - 2**

Safety Information **Page - 3**

Installation **Page - 3**

Warranty Information **Page - 5**

Recycling & Disposal **Page - 5**

Product Information

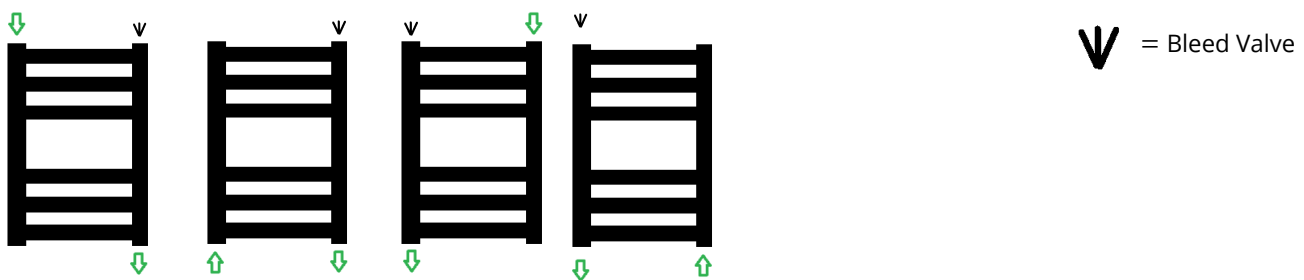
- *This product can only be used at a maximum of 4 bar. It should only be filled with water, and at temperature below 95 °C (203°F). See table below for installation requirements.*
- *If the temperature exceeds 48 °C (or 120 °F), please show a warning sign near the product to avoid burning and scolding accidents.*
- *This Product is only suitable for use on indirect or sealed central heating systems including combination boilers.*

To ensure that our products provide you with the service that we expect, it is important that they are installed in accordance with the British Standard Code of Practice for Central Heating for Domestic Premises BS 5449 Part 1 and the British Standard Code of Practice for the Treatment of Water in Domestic Hot Water Central Heating Systems, BS7593.

Other Information

Valve installation advice :

Please ensure that your radiator valves are fitted as per the below diagrams ensuring that a bleed point always remains at the top of the unit.



For further information on installing your radiator valves, please consult the instructions provided with them.

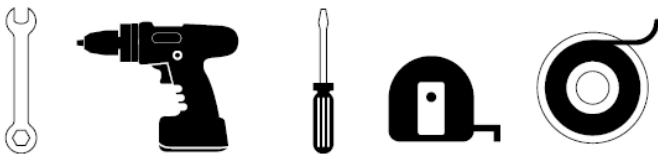
Safety Information

Please read carefully...

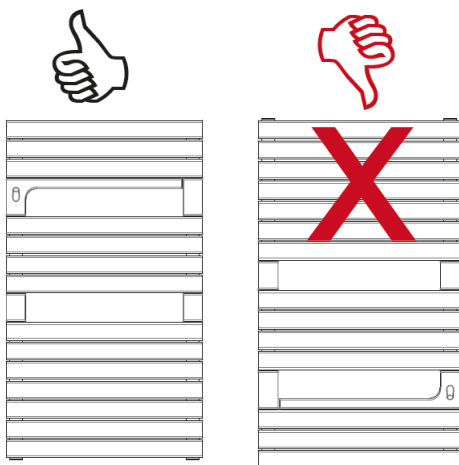
- ✓ This product is only suitable for use on indirect or sealed central heating systems inc. Combi boilers.
- ✗ Do not throw away packaging until you have located and confirmed that you have all included parts.
- ✓ This radiator must be installed by a qualified plumber or other fully competent person.
- ✓ For your own protection we recommend that you wear safety boots and gloves.
- ✓ Inspect the finish on the product for signs of damage before installation.
- ✓ The provided fixings are for solid brick walls only, if installing on any other surface please check that it will safely support the product and purchase suitable fixings.

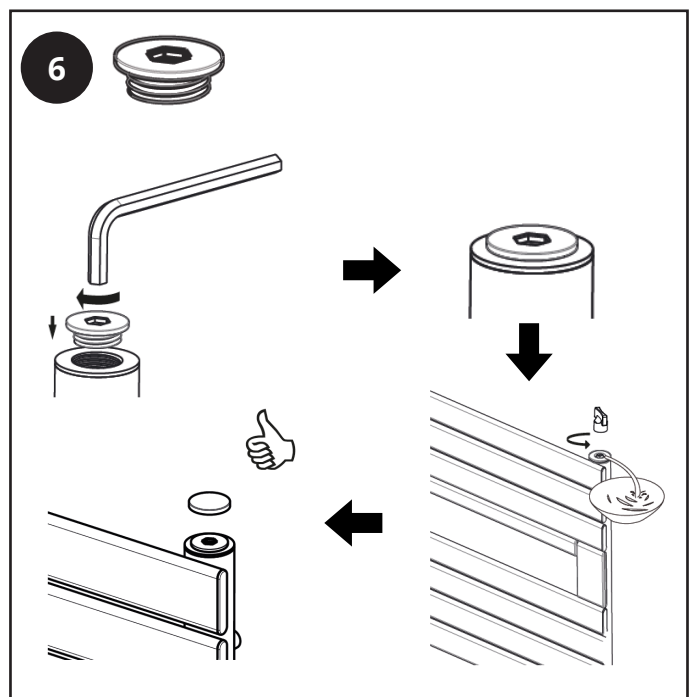
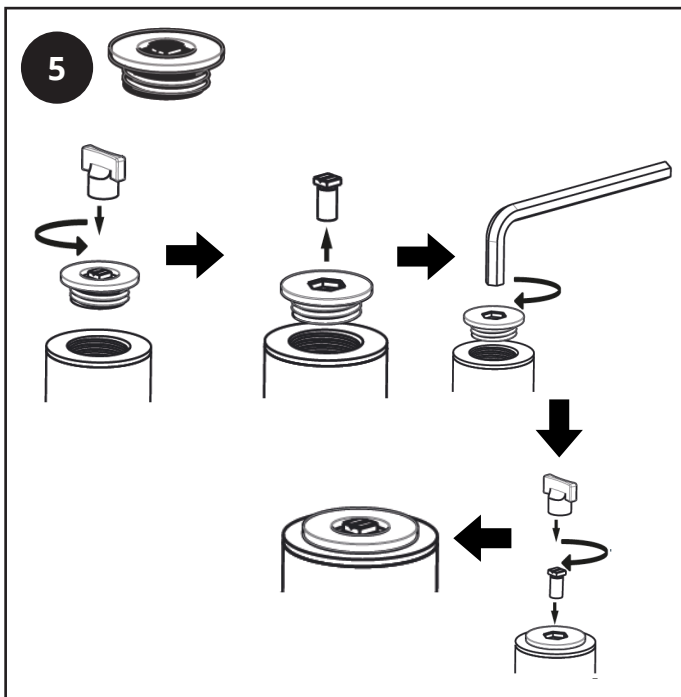
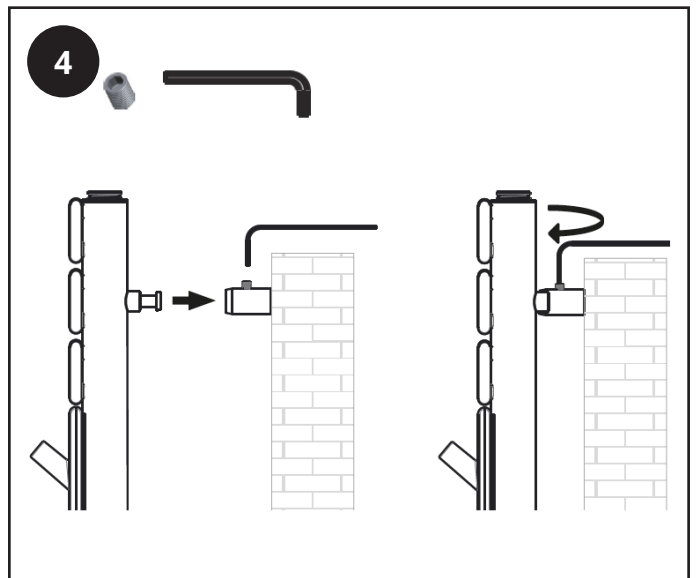
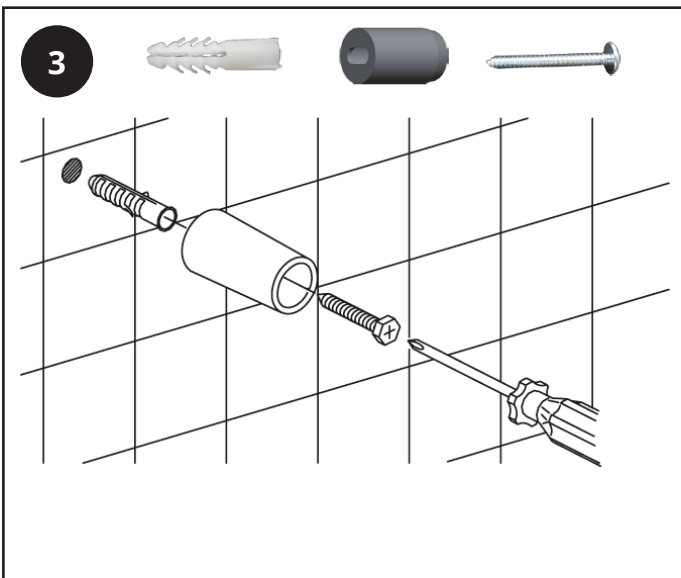
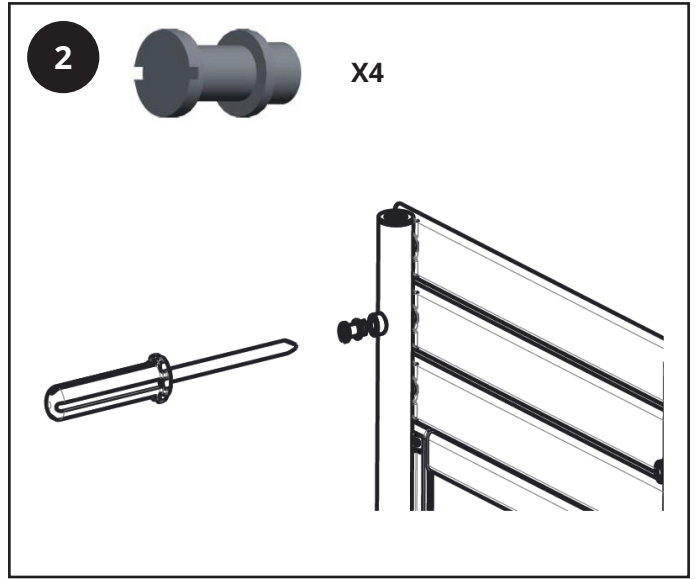
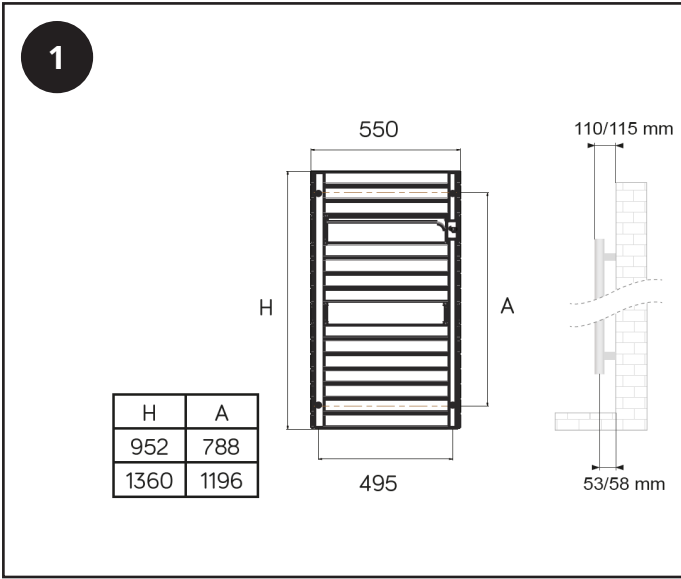
Installation

Tools required for installing:



Please ensure that the unit is orientated as shown below.





Aftercare

Clean any marks with a soft dry cloth, for stubborn stains please clean with mild soapy water and buff out with a soft cloth. DO NOT use abrasive or acidic cleaners, if you are unsure, please contact us first.

Your Guarantee

- To find the specific guarantee for your product please refer to the website.
- The guarantee starts from the date of purchase.
- The guarantee covers you against issues caused as a result of manufacturing related issues, it does not apply to issues that are found to be a result of poor installation.
- Labour costs for installation of the product are not covered and the guarantee does not cover you for consequential loss.

Recycling and Disposal

Please recycle the packaging in accordance with your local government regulations on waste handling and follow the same advice at the end of the products life.

Product - Steel.

Packaging - Cardboard, plastic, steel.

Contact us

LDG

Unit 1&2

Burnley

BB11 5UB