



## Biard Straight Connector for Track Light - White

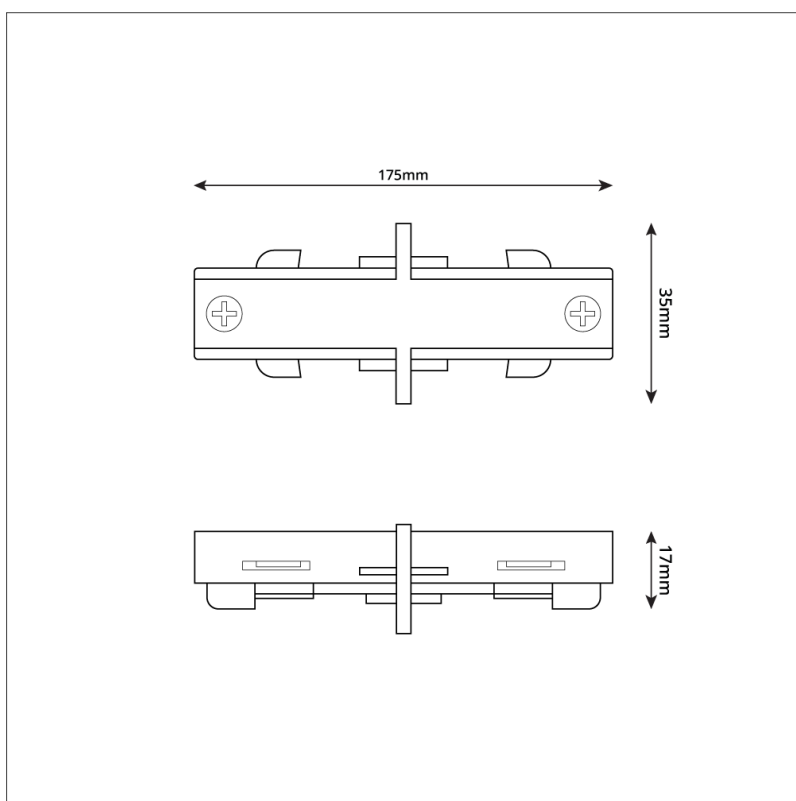


### Product Specification

Base	Single Circuit
Dimensions	175 x 35 x 17 mm
Waterproof	No
Input Power	N/A
Certification	CE, RoHS, LVD & EMC
Input Frequency	N/A
Weight	0.1kg

### Product Specification

- ✓ Single Circuit
- ✓ White
- ✓ Life Span 20,000 Hours
- ✓ Non-Recessed
- ✓ 3 Year Warranty



### Safety Information

- ✓ Use only at stated voltages.
- ✗ **DO NOT** look directly into LED.
- ✗ **DO NOT** spray with chemicals.
- ✓ If in doubt use a qualified electrician.
- ✗ **NEVER** expose electrical parts when switched on.
- ✗ **DO NOT** remove PIR (if fitted).
- ✗ **DO NOT** cover with flammable materials.
- ✓ Turn off power before fitting.

All Biard branded products are covered by a 3 year warranty and have a 30 day money back guarantee.

RoHS  
Compliant

