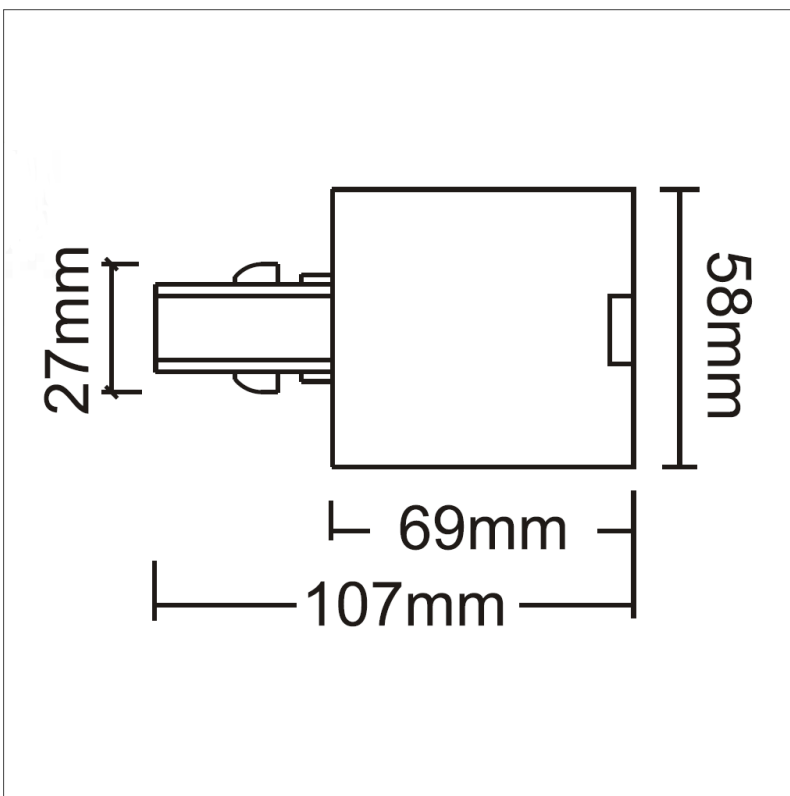




Biard Recessed Power Connector -White



Product Specification

Base	Single Circuit
Dimensions	107 x 58mm
Waterproof	Non Waterproof
Input Power	AC100-240V
Certification	CE, RoHS, LVD & EMC
Input Frequency	50Hz
Weight	0.3kg

Product Features

- ✓ Input Frequency: 50Hz
- ✓ White
- ✓ Recessed
- ✓ Non Waterproof
- ✓ Free 3 Year Warranty



Safety Information

- ✓ Use only at stated voltages.
- ✗ **DO NOT** look directly into LED.
- ✗ **DO NOT** spray with chemicals.
- ✓ If in doubt use a qualified electrician.
- ✗ **NEVER** expose electrical parts when switched on.
- ✗ **DO NOT** remove PIR (if fitted).
- ✗ **DO NOT** cover with flammable materials.
- ✓ Turn off power before fitting.

All Biard branded products are covered by a 3 year warranty and have a 30 day money back guarantee.

RoHS
Compliant

