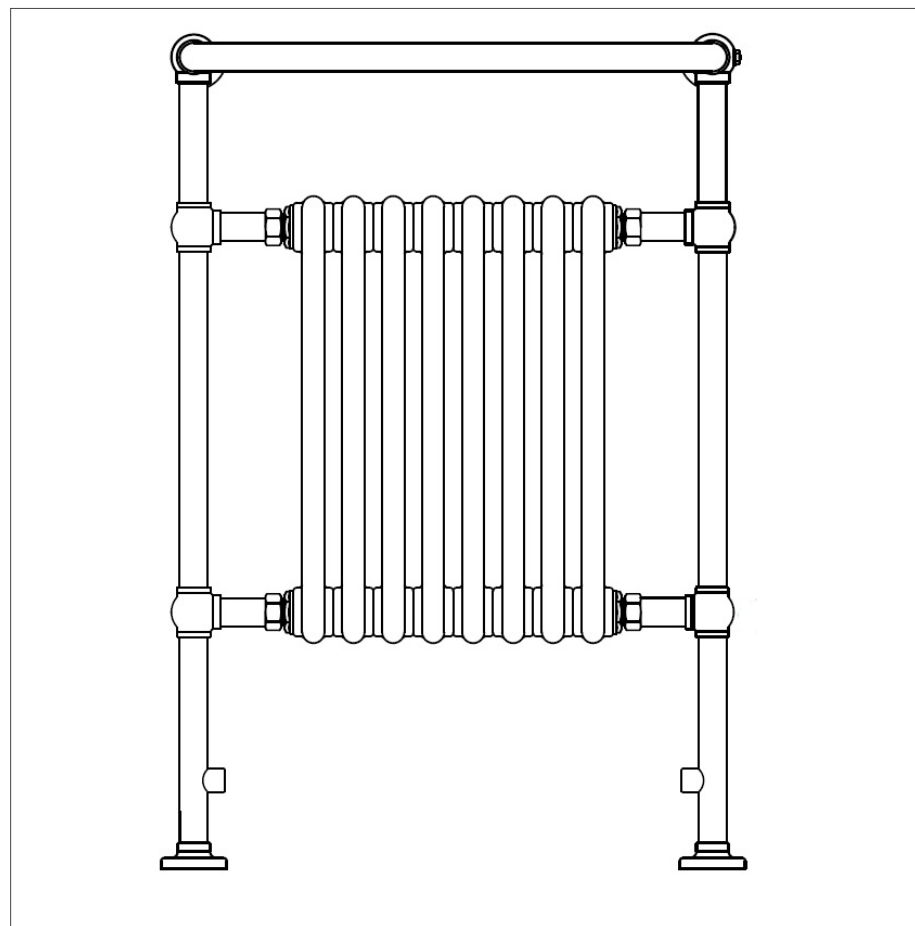


Milano



| HEIGHT (MM) | WIDTH (MM) | COLUMNS | PIPE CENTRES (MM) | BTU T30 | BTU T50 | BTU T65 | WATT T30 | WATT T50 | WATT T65 |
|-------------|------------|---------|-------------------|---------|---------|---------|----------|----------|----------|
| 930 | 452 | 3 | 217 (approx.) | 621 | 1170 | 1645 | 182 | 343 | 482 |
| 930 | 452 | 3 | 217 (approx.) | 638 | 1194 | 1679 | 187 | 350 | 492 |
| 930 | 620 | 3 | 385 (approx.) | 968 | 1822 | 2562 | 284 | 534 | 751 |
| 930 | 620 | 3 | 385 (approx.) | 1000 | 1880 | 2643 | 293 | 551 | 775 |
| 930 | 790 | 3 | 555 (APPROX.) | 1364 | 2569 | 3612 | 400 | 753 | 1059 |