

Simple Heating Element

Installation & Safety Information

Installation Guide

Contents

Safety & General Information **Page - 2**

Installation **Page - 3**

Product Information **Page - 4**

Aftercare & Recycling Page - 5

Your Guarantee **Page - 5**

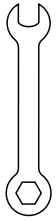
Safety & General Information

Please read carefully...

- ✓ This product is only suitable for use in liquid filled radiators (excluding oil filled radiators).
- ✓ Ensure the heating element is fully submerged in the liquid before operation.
- ✗ Do not throw away packaging until you have located and confirmed that you have all included parts and the product is in good condition.
- ✓ Check the device for damage before installation and on a regular basis.
- ✓ If any damaged is found on the device it should not be used, if any damage is caused once installed the device should be switched off or disconnected immediately.
- ✓ Check the fluid level in the radiator annually, the element should be fully submerged at all times.
- ✗ Do not let children operate the device without supervision of an adult.
- ✓ Keep the power cord away from any hot surfaces of the radiator.
- ✗ This element has no serviceable parts, never dismantle the element as this will invalidate the warranty and could lead to injury.

Installation

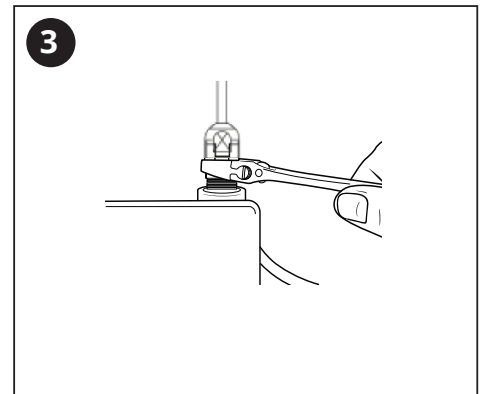
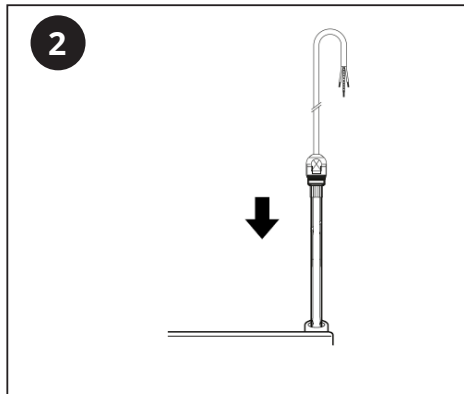
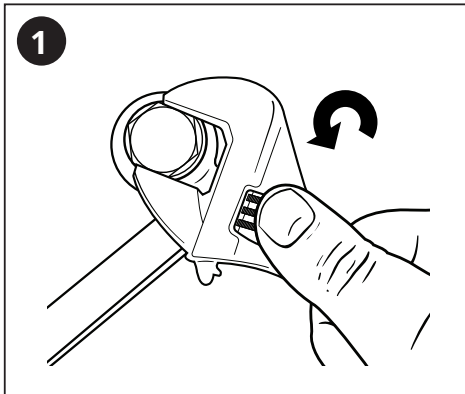
Tools required for installing:



Installation Safety Information

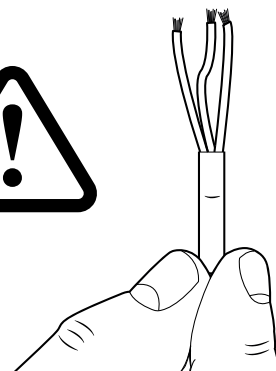
- ✓ Always disconnect the power before installing or removing the element.
- ✓ This element must be installed by a qualified or fully competent person.
- ✓ The element should only be connected to a power outlet in good condition.
- ✓ local electrical regulations must be adhered to when installing the element.
- ✓ Please pay attention to the safety zones if installing in a bathroom.
- ✓ If there is any spillage of Glycol during installation please contact the supplier

Element Installation



Electrical Installation

- a. Brown wire — live connection to the circuit (L).
- b. Blue wire — connect to neutral (N)
- c. Yellow & green wire — earth connection (PE).



Product Information

Power: 230 VAC

Insulation class: I

Ingress protection: IP67

Connection Type:

Cable without plug permanent connection to the electrical supply via a fused spur that conforms to all local electrical requirements.

Wattage to 60°:

400W - 325* \varnothing 11mm

600W - 450* \varnothing 11mm

800W - 535* \varnothing 11mm

1000W - 675* \varnothing 11mm

1200W - 795* \varnothing 11mm

1500W - 940* \varnothing 11mm

Removal:

Should you need to remove the element ensure the radiator is cooled and drained of liquid and the valves are closed.

Always disconnect the mains power.

Aftercare

Clean any marks with a soft dry or damp cloth, for stubborn stains please clean with mild soapy water and dry with a soft cloth. DO NOT use abrasive or acidic cleaners, if you are unsure, please contact us first.

Your Guarantee

- This product is covered by a 2 year guarantee.
- The guarantee starts from the date of purchase.
- The guarantee covers you against issues caused as a result of manufacturing related issues, it does not apply to issues that are found to be a result of poor installation.
- Labour costs for installation of the product are not covered under this warranty.

Recycling and Disposal

Please recycle the packaging in accordance with your local government regulations on waste handling, and follow the same advice at the end of the products life. Do not recycle the element in your general waste.

Product - Aluminum.

Packaging - Cardboard, plastic.

Contact us

Unit 1 & 2 Dawson Ct

Burnley

Lancashire

BB11 5UB