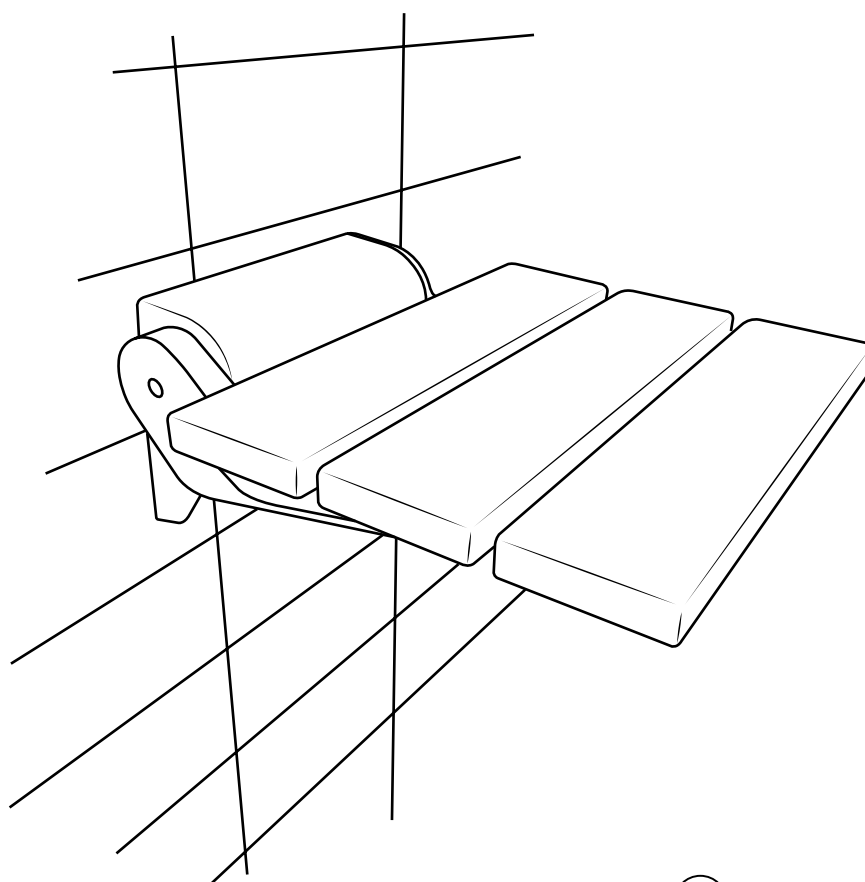



Milano

Shower Seat

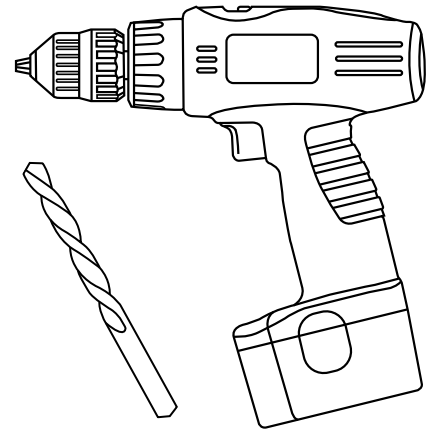
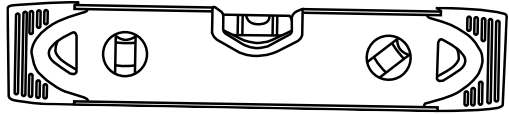


 Style may vary

Installation Guide

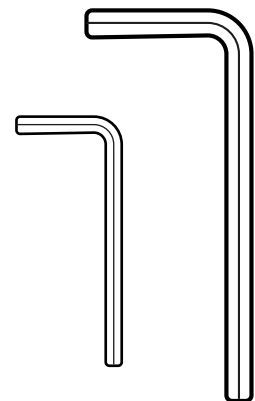
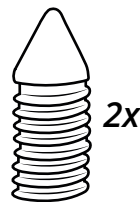
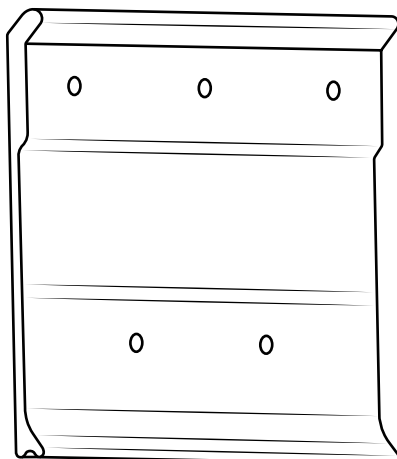
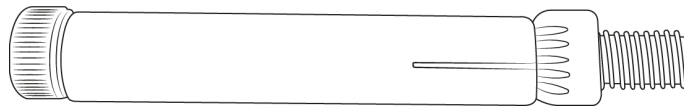
Installation

Tools required for installing:



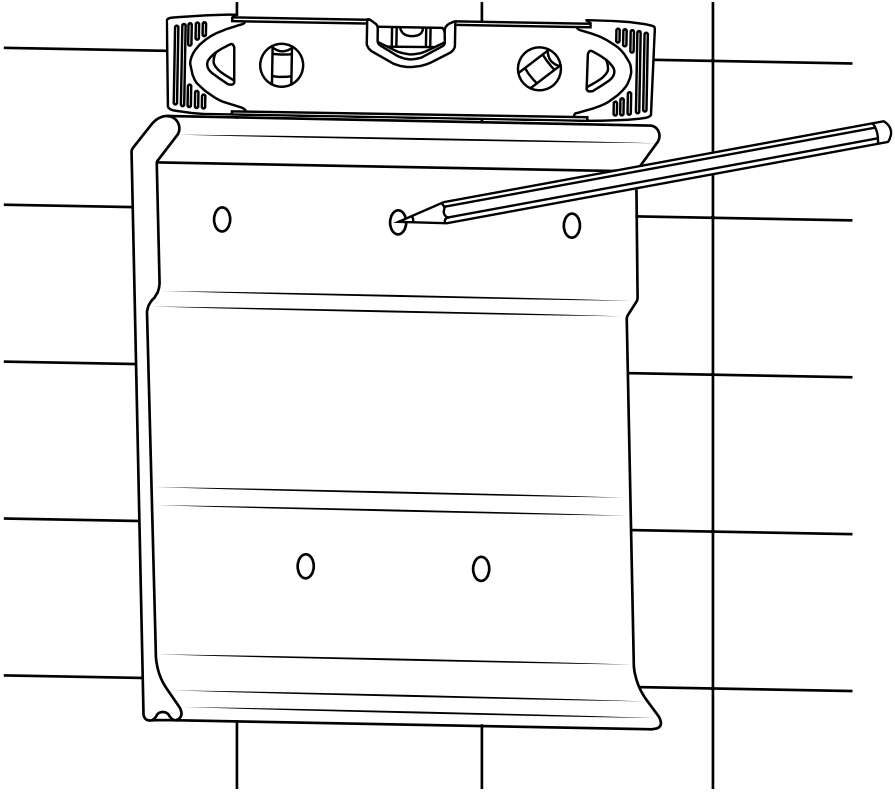
Parts included:

5x

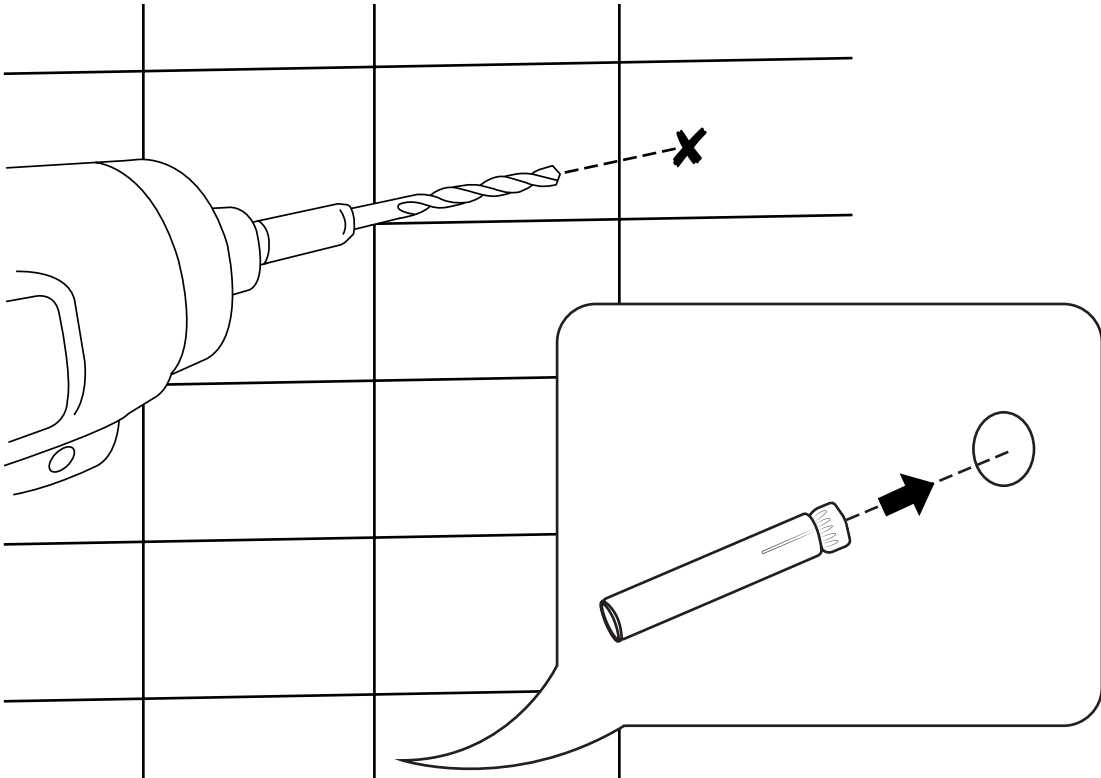


1

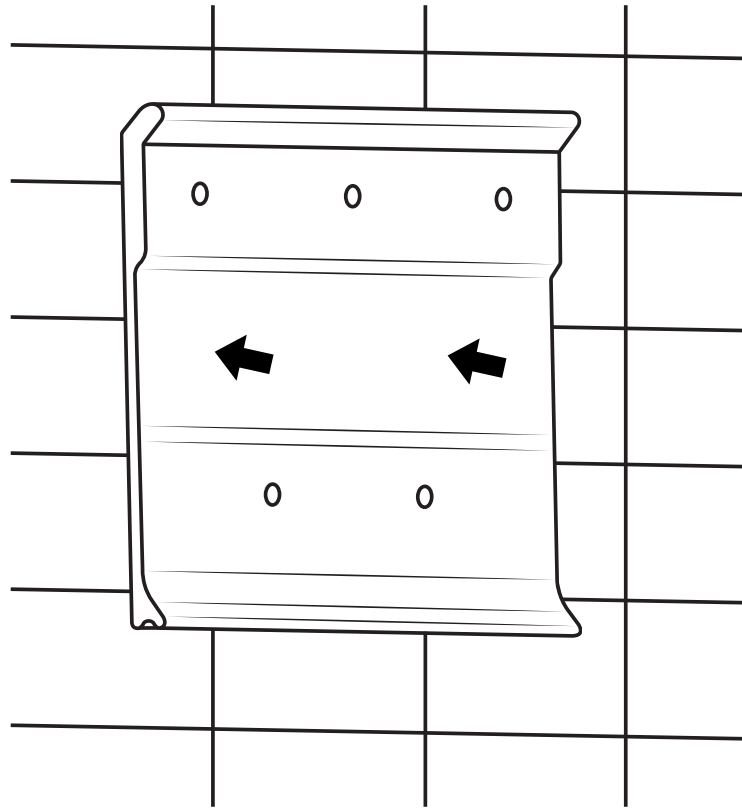
Please note: the shower seat should be secured to a flat, solid wall (brick or concrete block) and away from cavities, voids, cables and pipes when locating the fixing screws.



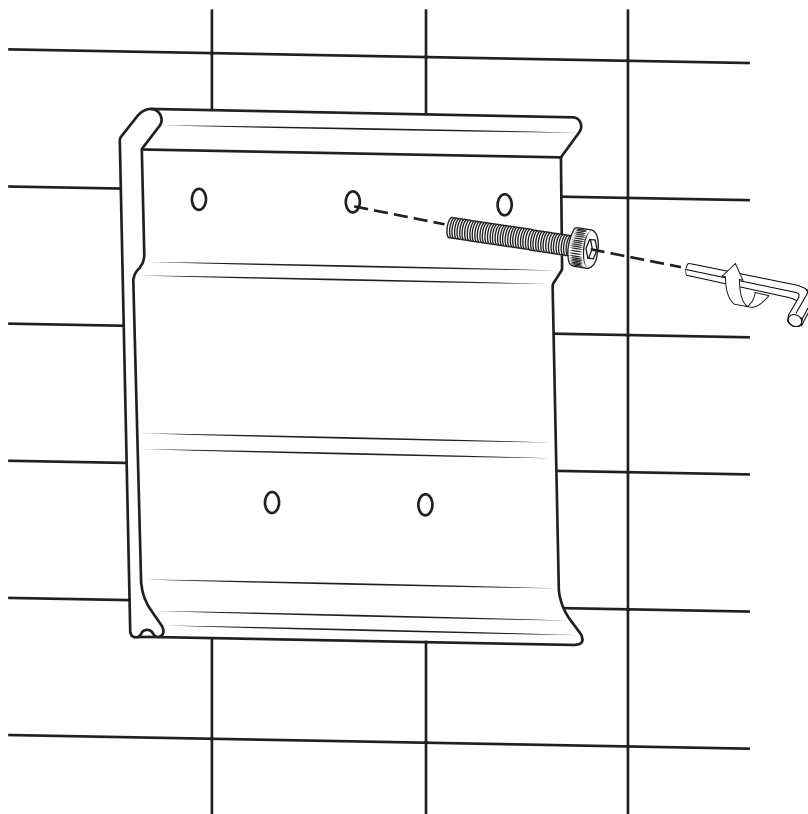
2



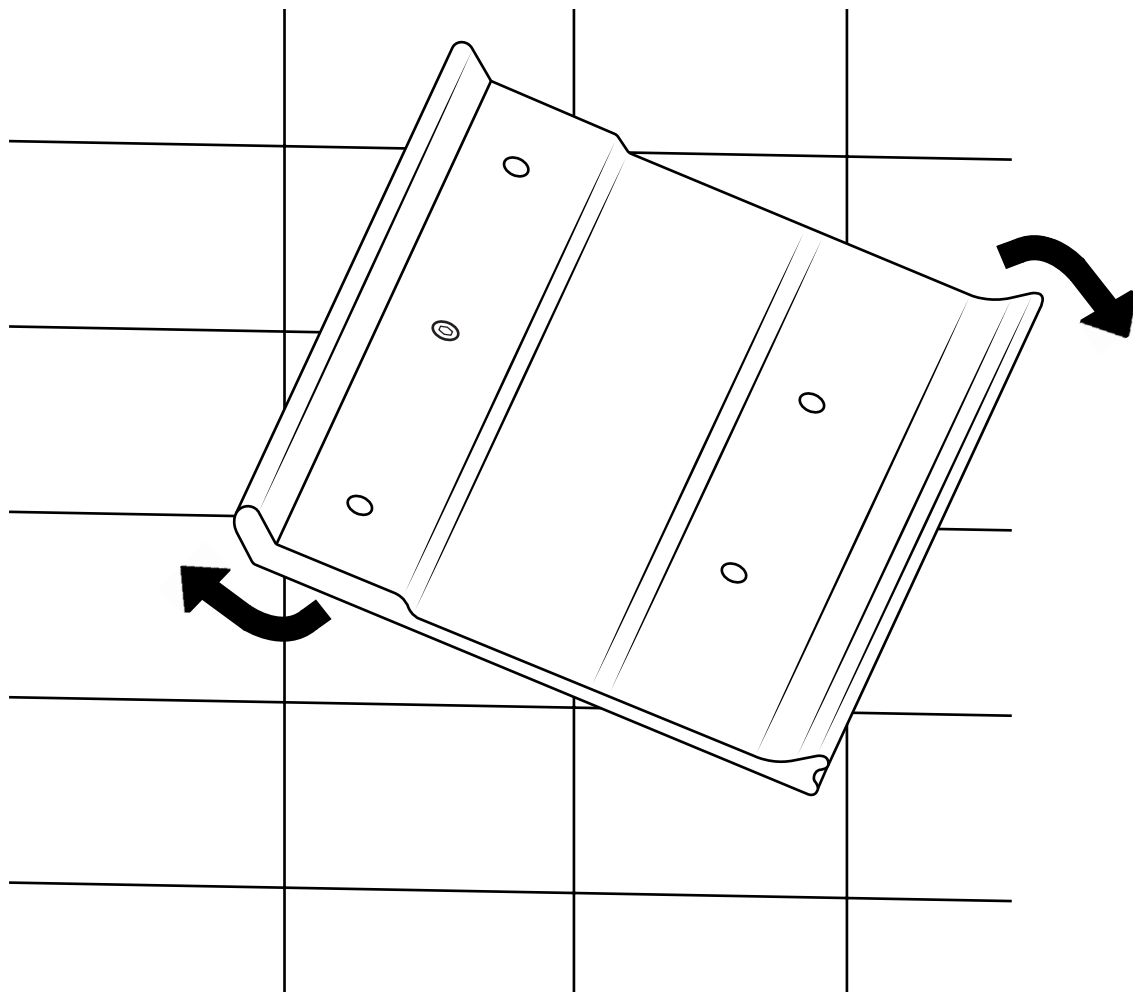
3



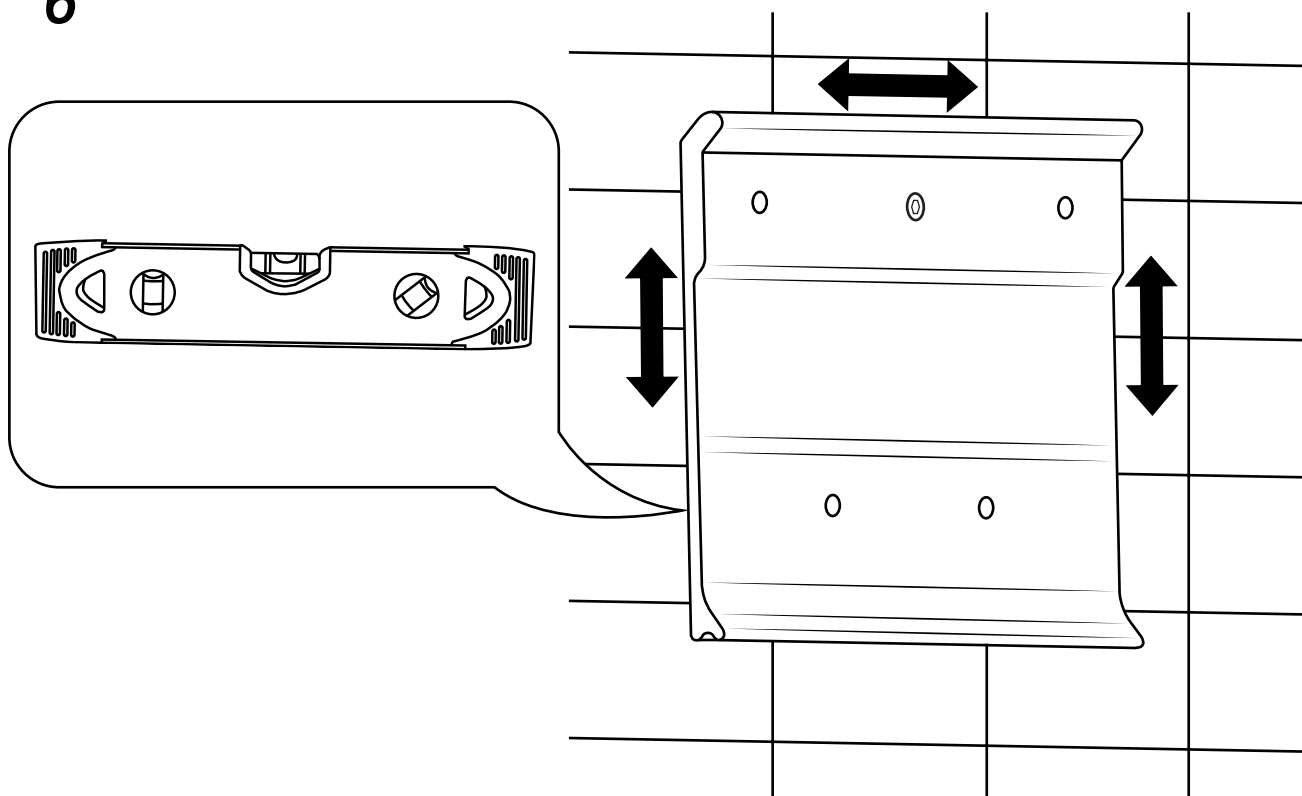
4



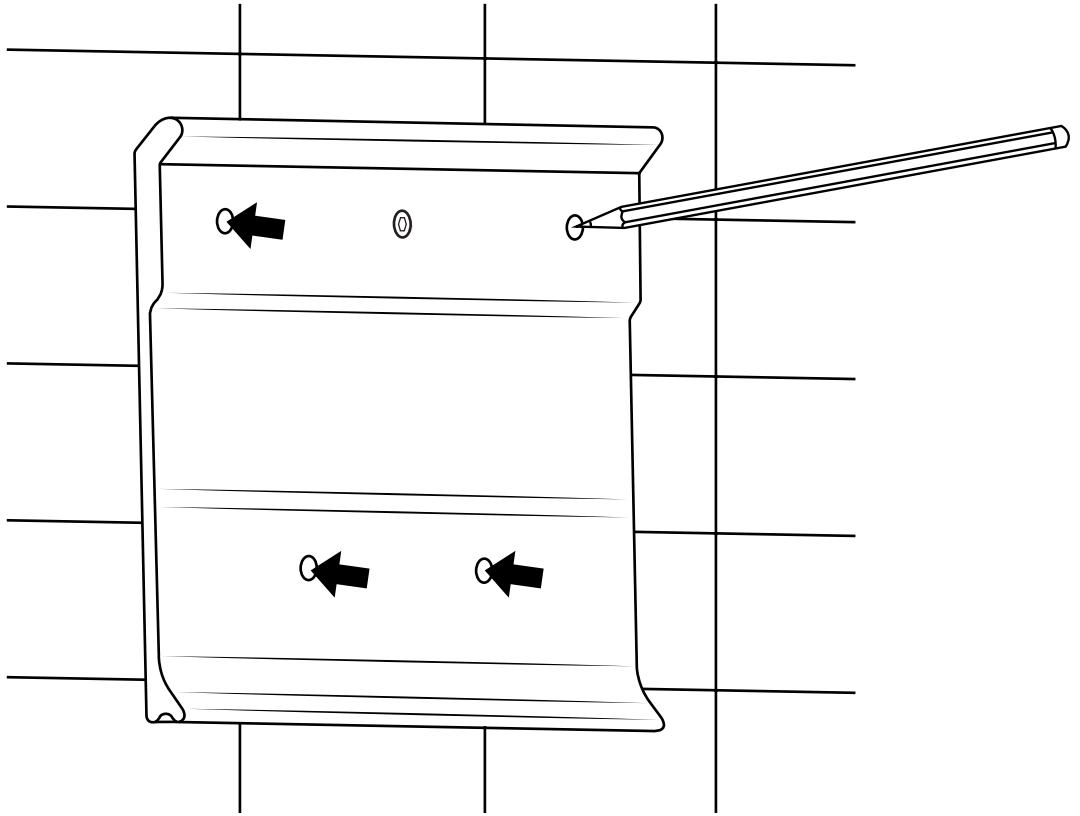
5



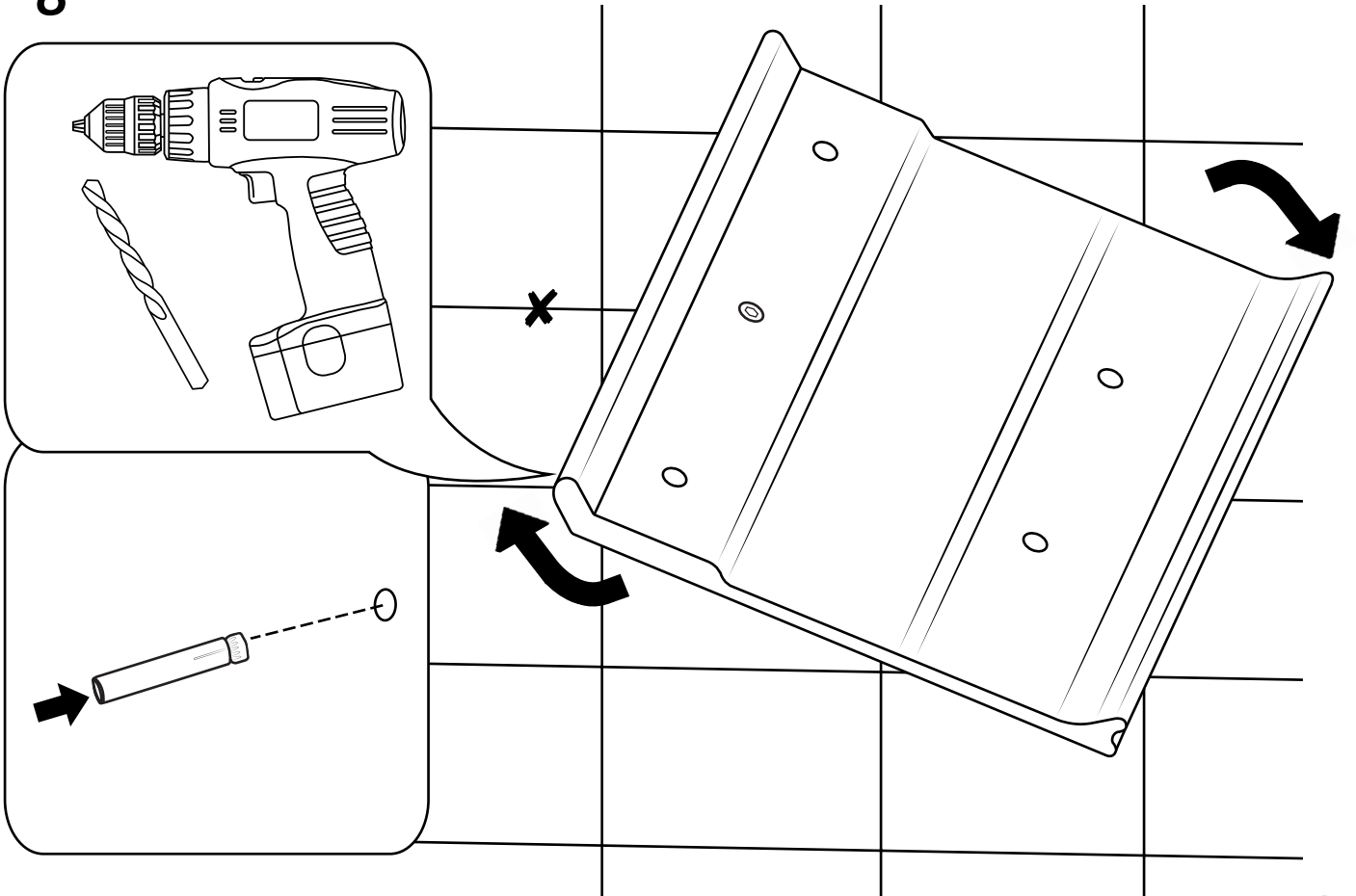
6



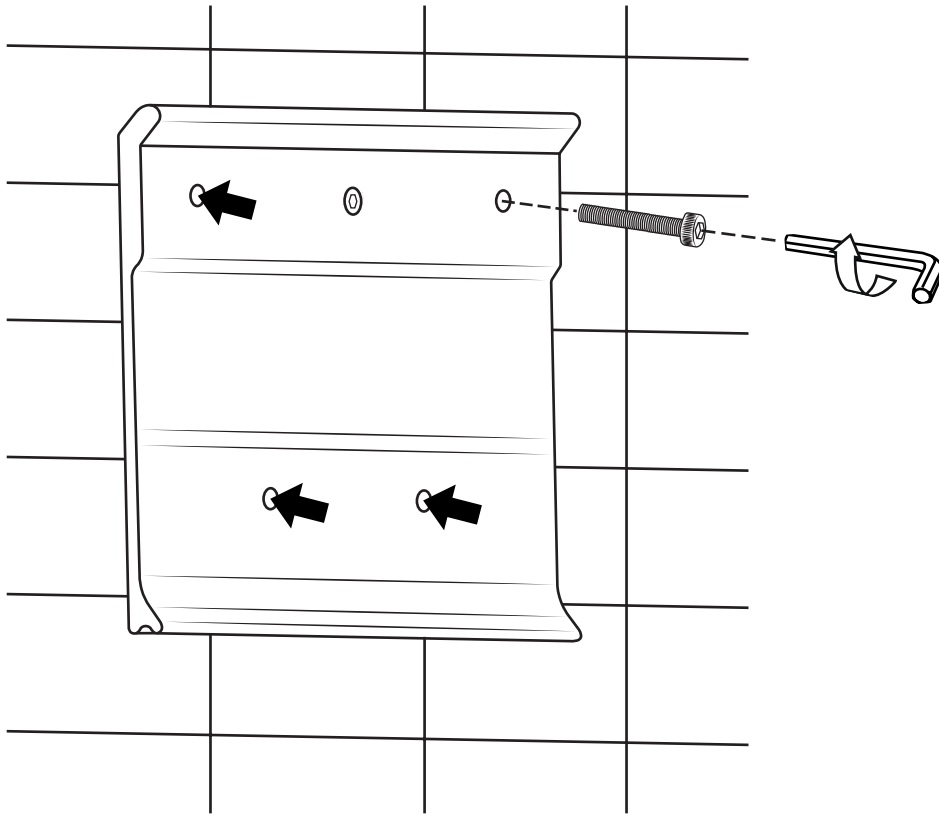
7



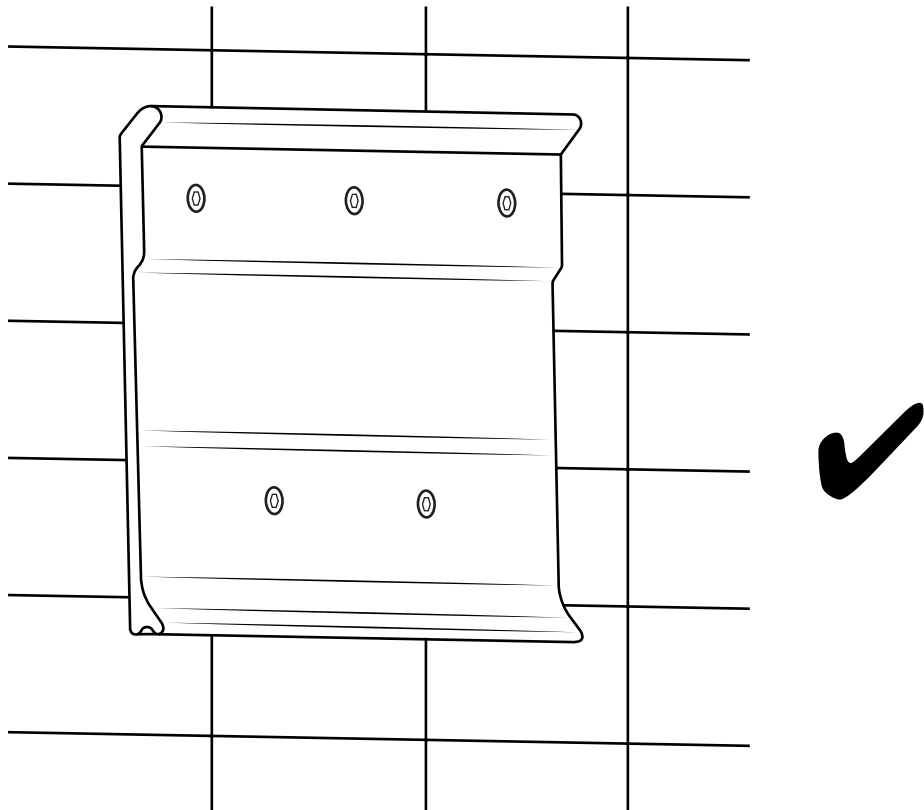
8



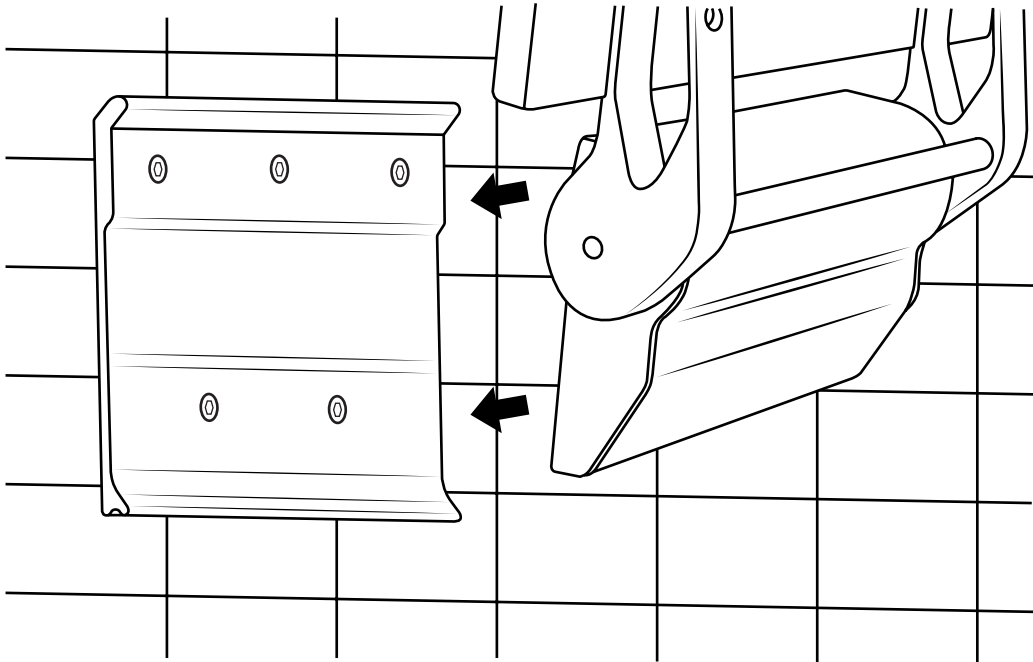
9



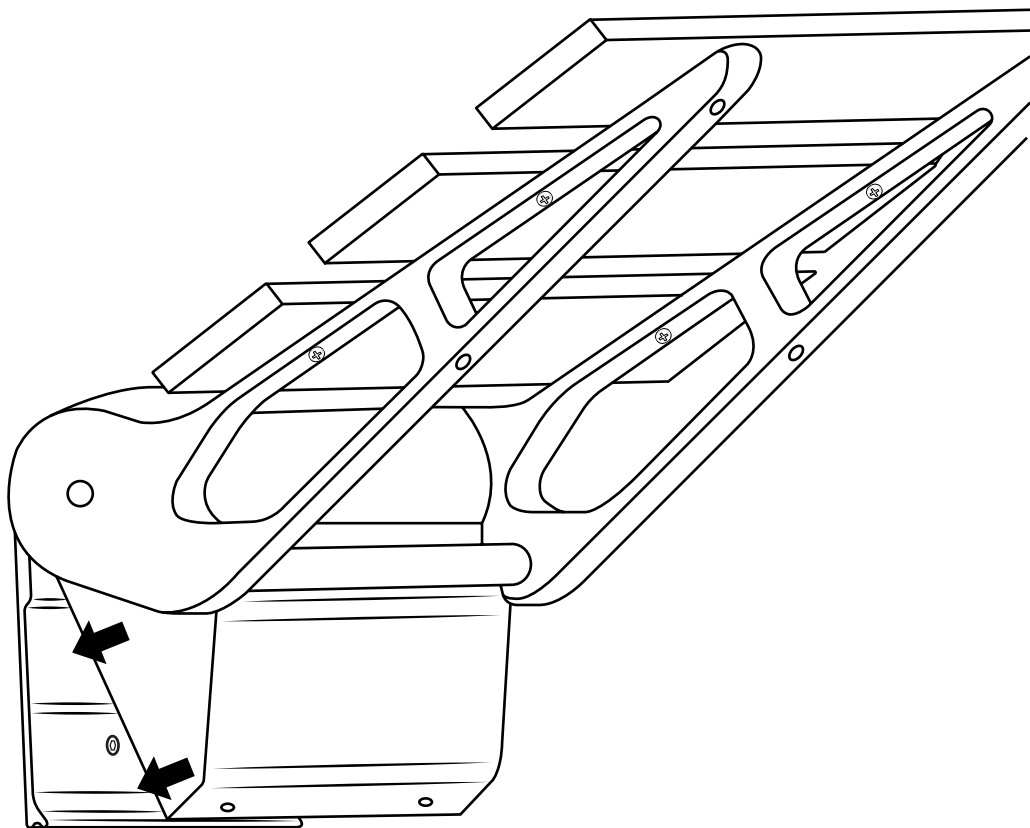
10



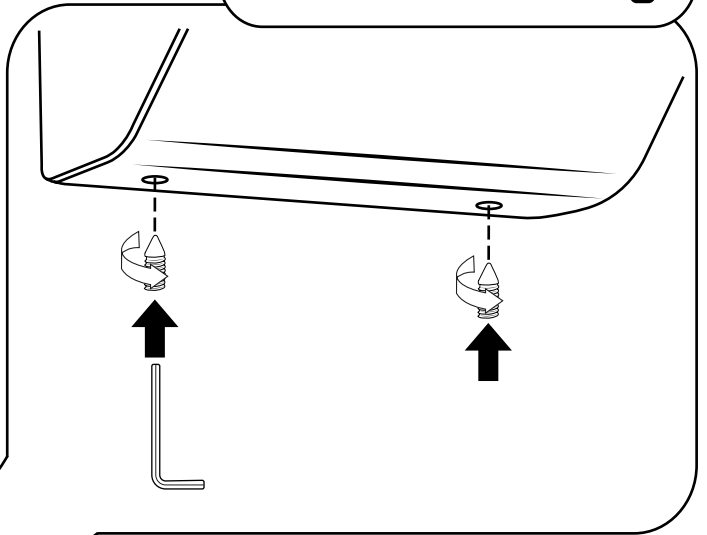
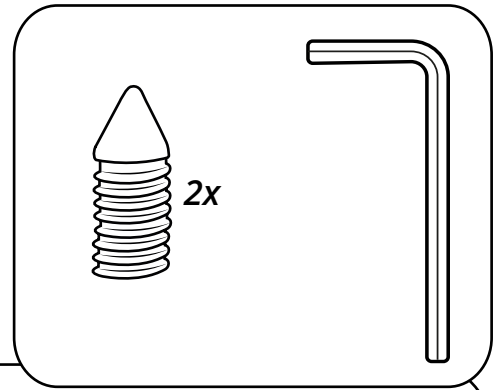
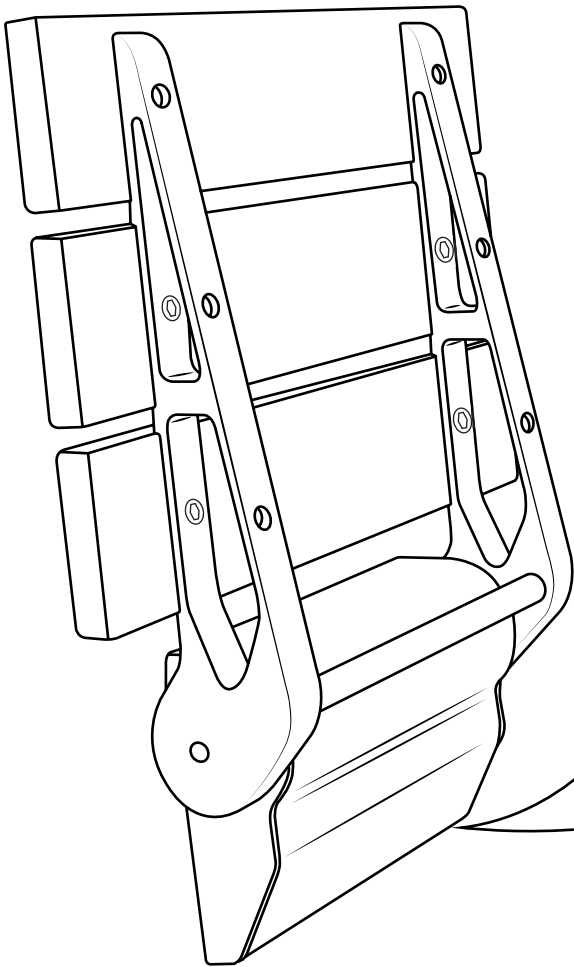
11



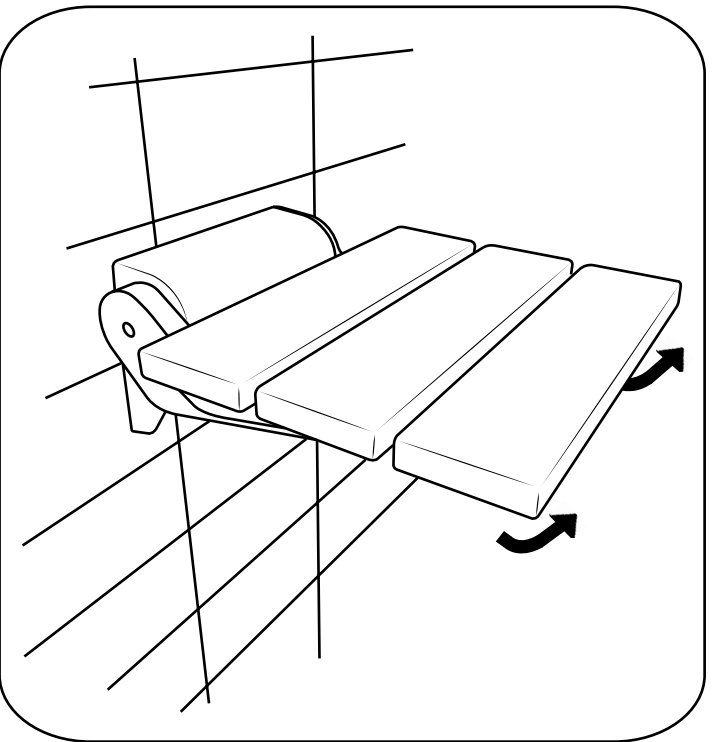
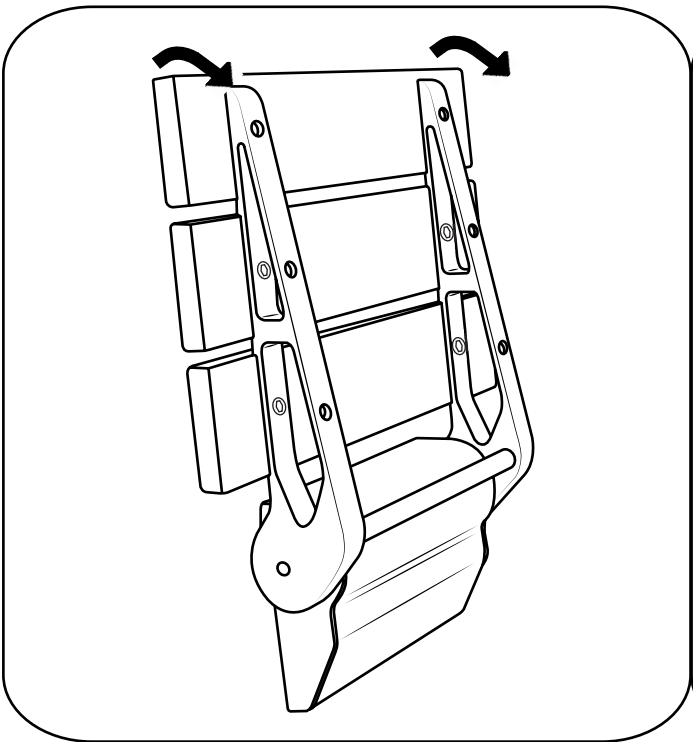
12



13



14



15

