

# Milano

## Standard Bath

### Installation Guide

***Contents***

Safety Information **Page - 2**

Installation **Page - 2**

Warranty Information **Page - 4**

Recycling & Disposal **Page - 4**

Contact us **Page - 4**

# Safety Information

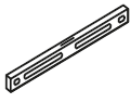
## Please read carefully...

- ✓ Before Fixing, remove ALL protective covering and examine carefully. The polythene film must be removed in full and the bath checked for visible damage.
- ✓ Handle the bath with care.
- ✓ The bath is heavy, two man lift required.
- ✓ Please ensure your bath is installed by a qualified plumber or bathroom installer.
- ✓ Any refixing costs or claims for colour match will not be accepted after installation.

# Installation

## Parts required

Spirit Level



Screwdriver



Tape Measure



Pencil



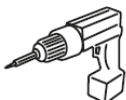
Junior Hacksaw



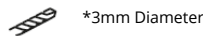
Silicone sealant



Power Drill



Drill bit



## Parts Included

Pair of Tubular cradles



x1

Cradle housing socket



x4

M8 Foot



x1

Centre foot bracket



x1

M8 Nuts



x2

Wall brackets



x2

Fixing screws (23mm)  
To attach cradle sockets  
(if required see instruction 4)



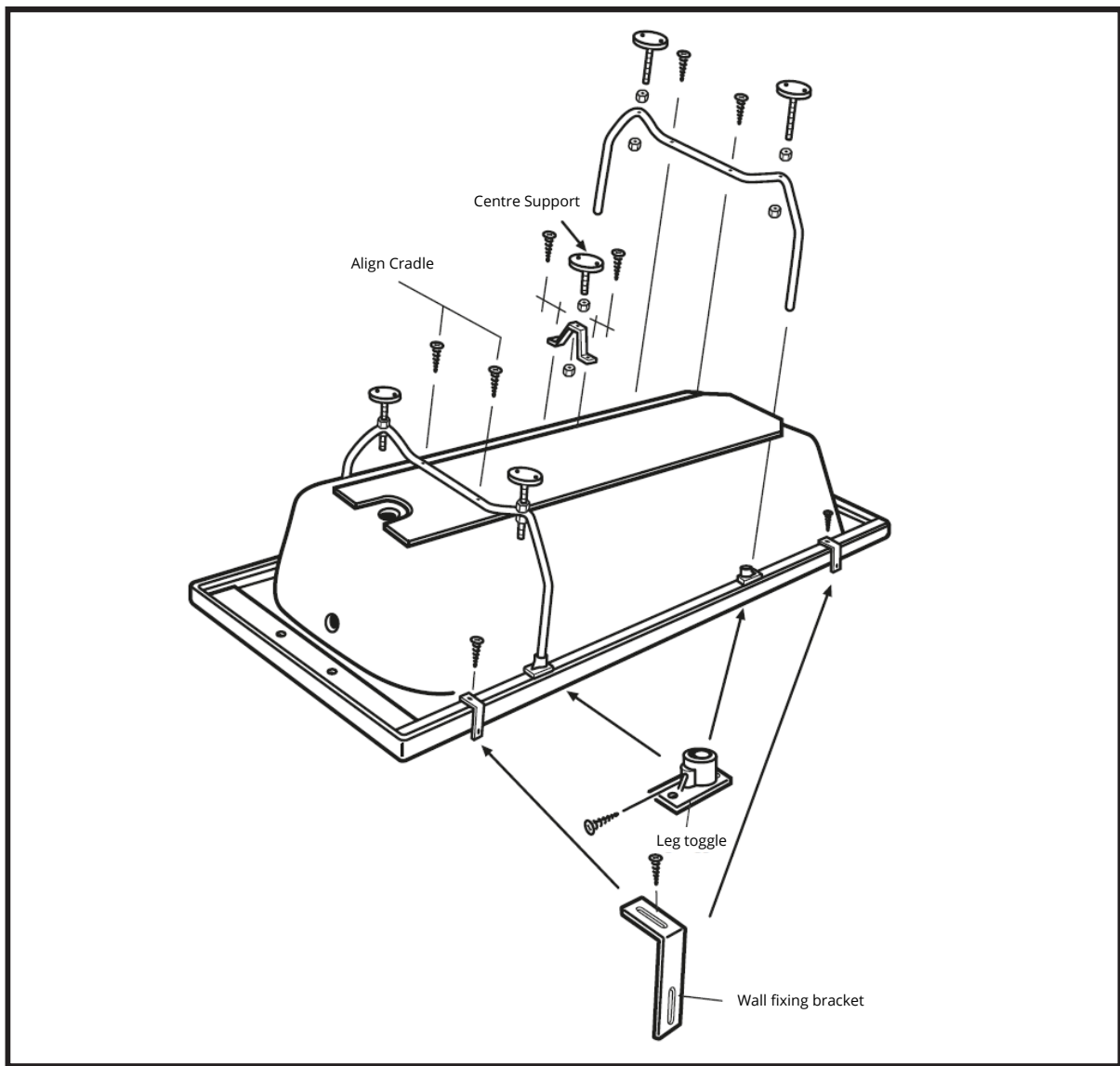
x8

No.8 Domed self-tapping screws (16mm)

To Secure:  
- Centre foot bracket  
- Wall bracket  
- Cradle to socket

x8





1. Remove all packaging including the polyethylene film, which covers the entire bath.
2. Check that colour match is acceptable and there is no damage on the bath that may have occurred in transit. This can only be done if the film is completely removed.
3. Remove the two tubular cradle legs from the bath frame (keep the screws for instruction 5).
4. If required, use the 23mm fixing screws to attach the black housing socket to the bath frame.
5. Align the cradle and hand screw directly into the baseboard using the 32mm (1<sup>1</sup>/<sub>4</sub>") screws from instruction 3. **YOU MUST CHECK THE SCREW LENGTH** - Should the bath have an "H" frame fitted to the baseboard, align and secure the cradle to it. If the cradle stands proud of the baseboard it can be shortened using a hacksaw.

6. Once the cradles have been secured to the baseboard of the bath, secure them into the leg toggles with the self tapping screws provided, making sure that they pierce the steel leg. **This will be easier if pre-drilled with a 3.2mm bit.**
7. Secure the adjustable M10 feet to the cradles using the M10 nuts provided.
8. Secure the adjustable centre support using screws and nuts provided to the centre of the baseboard (or "H" frame).
9. With the bath in the upright position set the top face level using the threaded adjustment of the feet and lock-nuts. When a panel is to be fitted, set the bath height to the height of the panel.
10. **CHECK THAT THE BATH RIM IS LEVEL.**
11. Before the final fixing of the bath, fit the tap and waste fittings using a suitable sealing compound. When complete, place the bath into position, re-check levels and make any final adjustments. Finally secure the feet to the floor and the wall brackets to the wall. Movement may not occur if not fitted correctly.

## Warranty Information

---

- *This product is covered by a 5 year guarantee.*
- *The guarantee starts from the date of purchase.*
- *The guarantee covers you against issues caused as a result of manufacturing related issues, it does not apply to issues that are found to be a result of poor installation.*
- *Labour costs for installation of the product are not covered under this warranty.*

## Aftercare

---

Clean any marks with a soft dry cloth, for stubborn stains please clean with mild soapy water and buff out with a soft cloth.

DO NOT use abrasive or acidic cleaners, if you are unsure, please contact us first.

## Recycling & Disposal

---

Please recycle / dispose of this product in accordance with your local council / government guidelines.

## Contact Us

---

MILANO

Unit 1&2

Burnley

BB11 5UB