

Milano

Wetroom Screen

Installation Guide

Contents

Glass Safety **Page - 2**

Protective equipment **Page - 2**

Parts inventory **Page - 3**

Tools Required **Page - 4**

Overview **Page - 5**

Installation **Page - 6**

Warranty Information **Page - 15**

Aftercare **Page - 15**

Recycling & Disposal **Page - 15**

Glass Safety

Please read carefully...

- ✓ When handling large glass panels, we recommend that two people are used to evenly carry the load.
- ✗ Avoid applying pressure to the glass as this will cause it to flex and it may shatter.
- ✓ Always place glass sheets onto a soft surface, hard surfaces may damage it.
- ✓ Install glass as per the manufactures instructions.
- ✗ Do not remove glass from the packaging until it is needed for installation.
- ✓ In the event of breakage, corden off the area immediatly to prevent injury.
- ✓ If you suspect that any part of the product is damaged, do not continue with installation, pack the product away and contact the manufacturer.

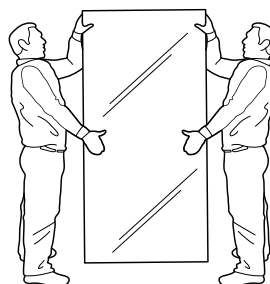
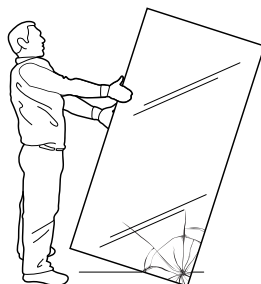
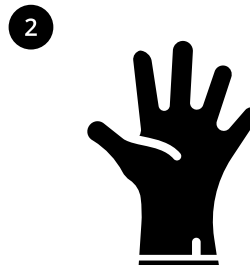
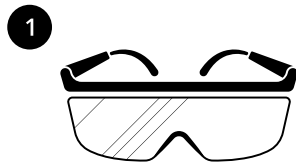
Protective equiptment

When Handling glass it is important that the correct protective equipment is worn.




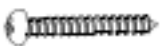

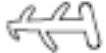




1. Eye Protection

2. Safety Gloves

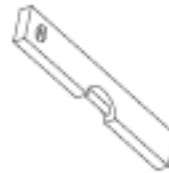
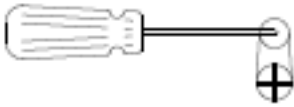
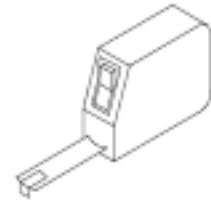
3. Safety Boots



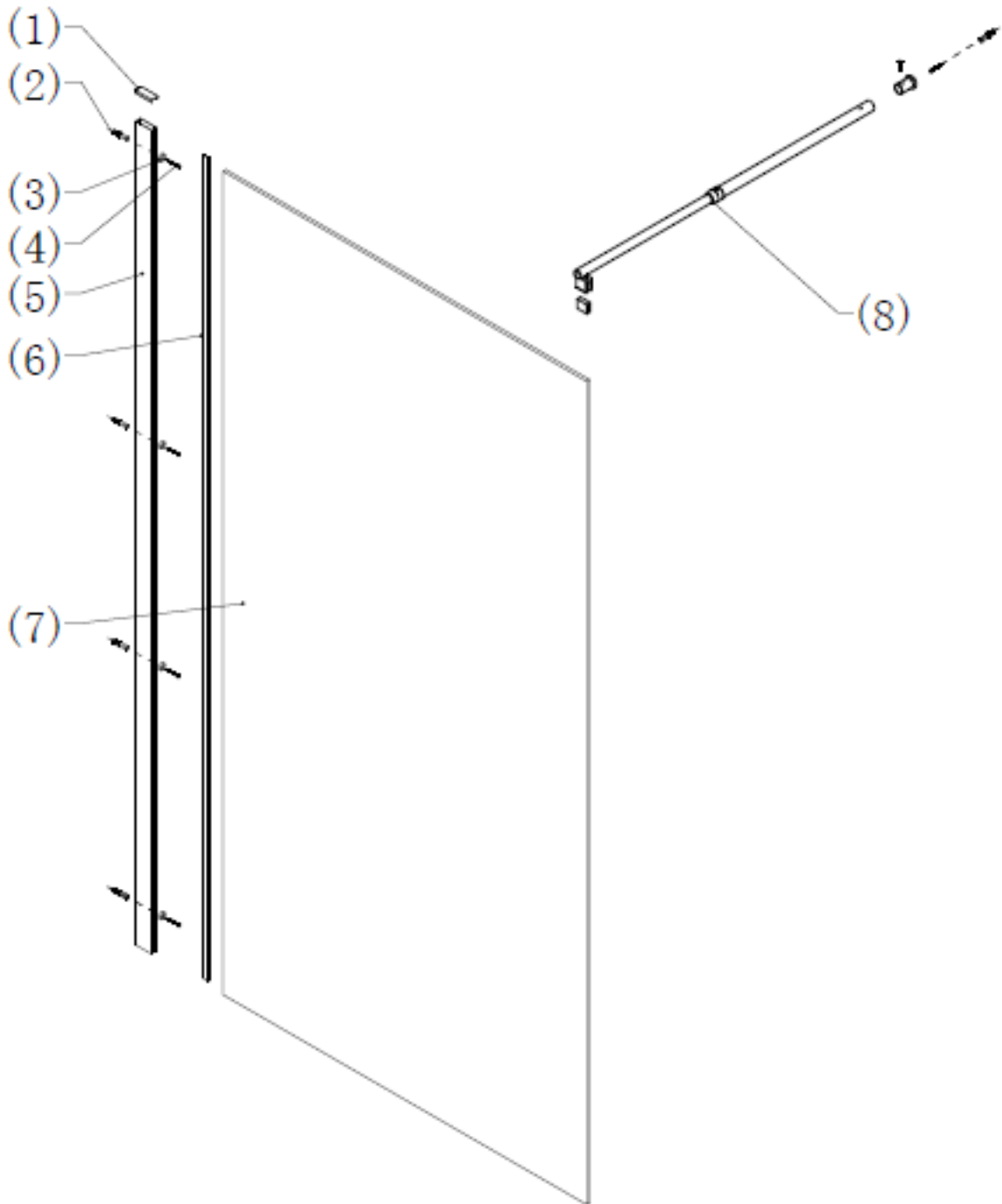
Parts Inventory

serial number	graphical	name	quantity	remarks
1			1 PCS	
2			5 PCS	
3			4 PCS	
4		ST3. 9X35	5 PCS	
5			1 PCS	
6			1 PCS	
7			1 PCS	
8			1 PCS	
9		M3	1 PCS	
10		Ø2.8	1 PCS	

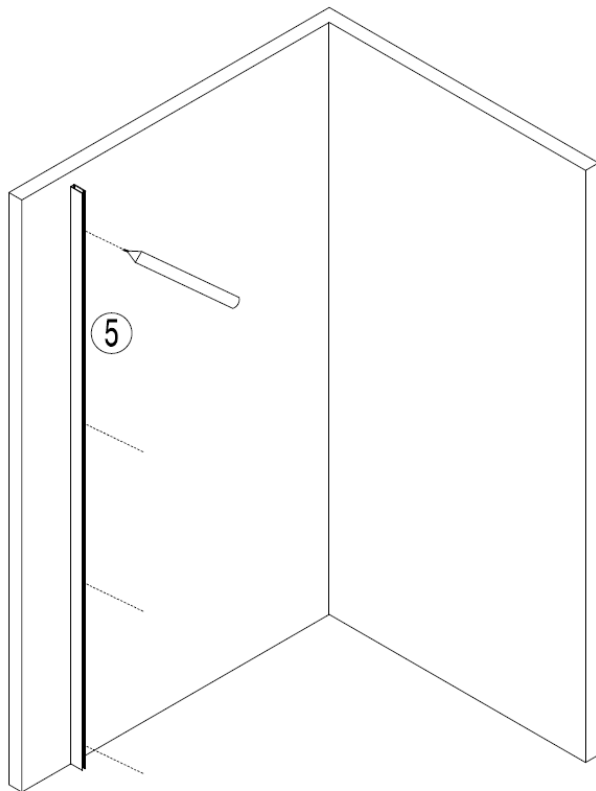
Tools Required



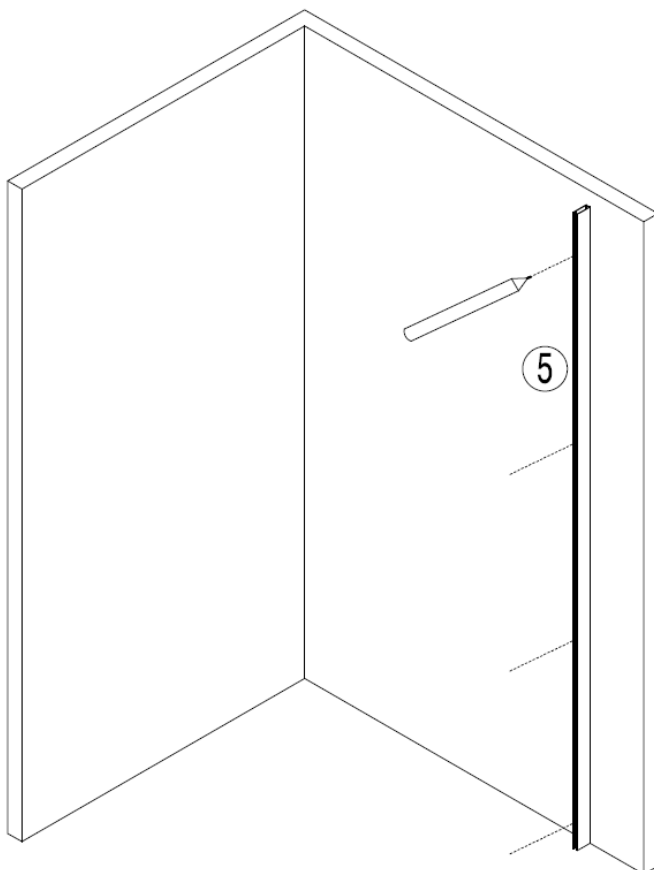
Ø2.8 Ø6



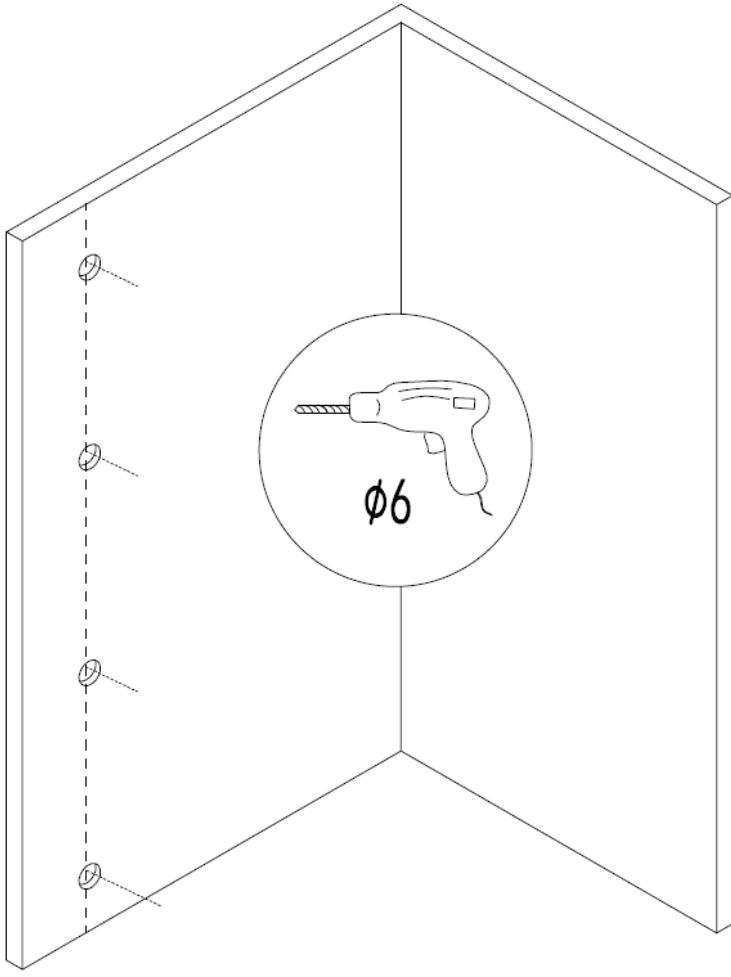
L



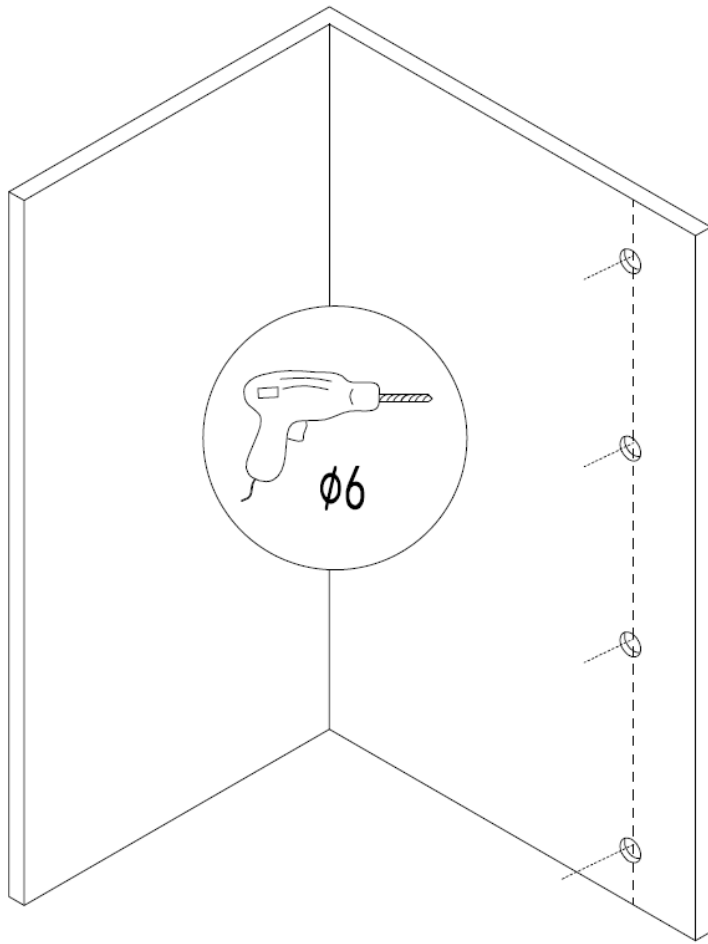
R



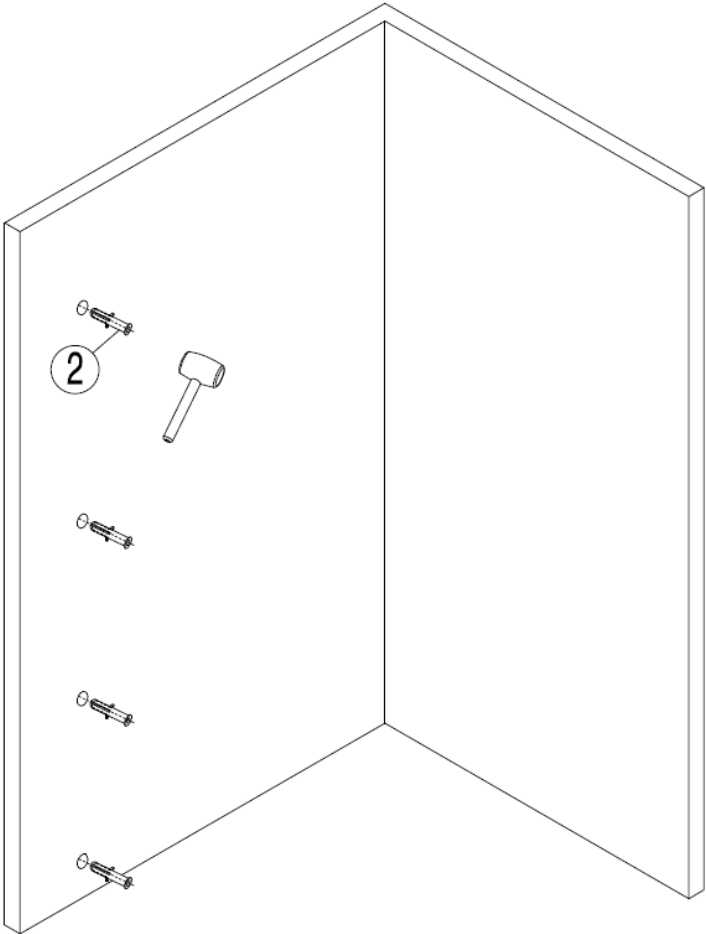
L



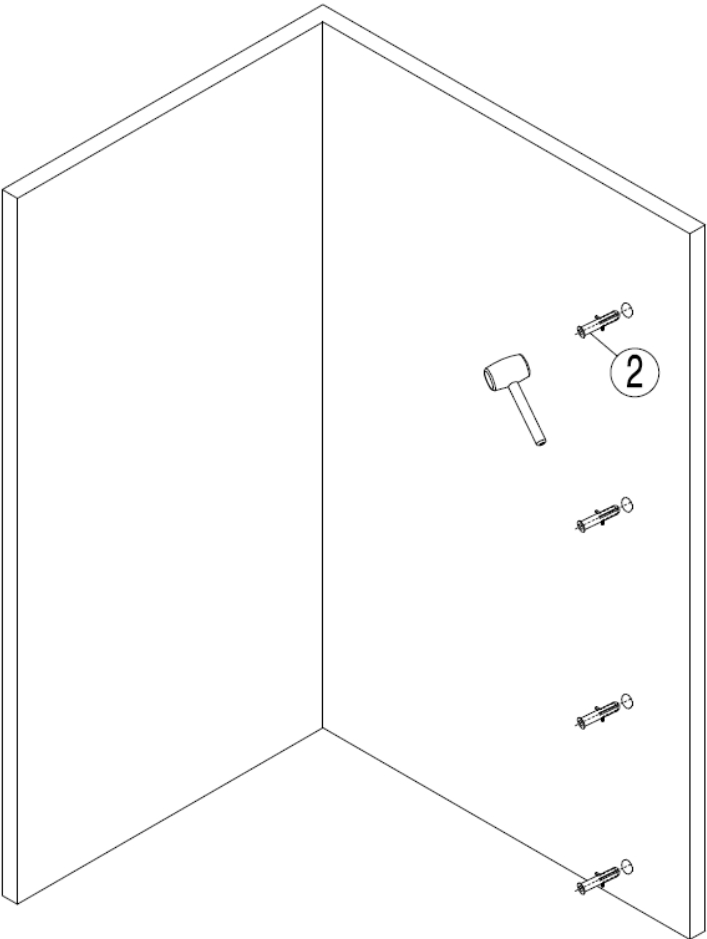
R



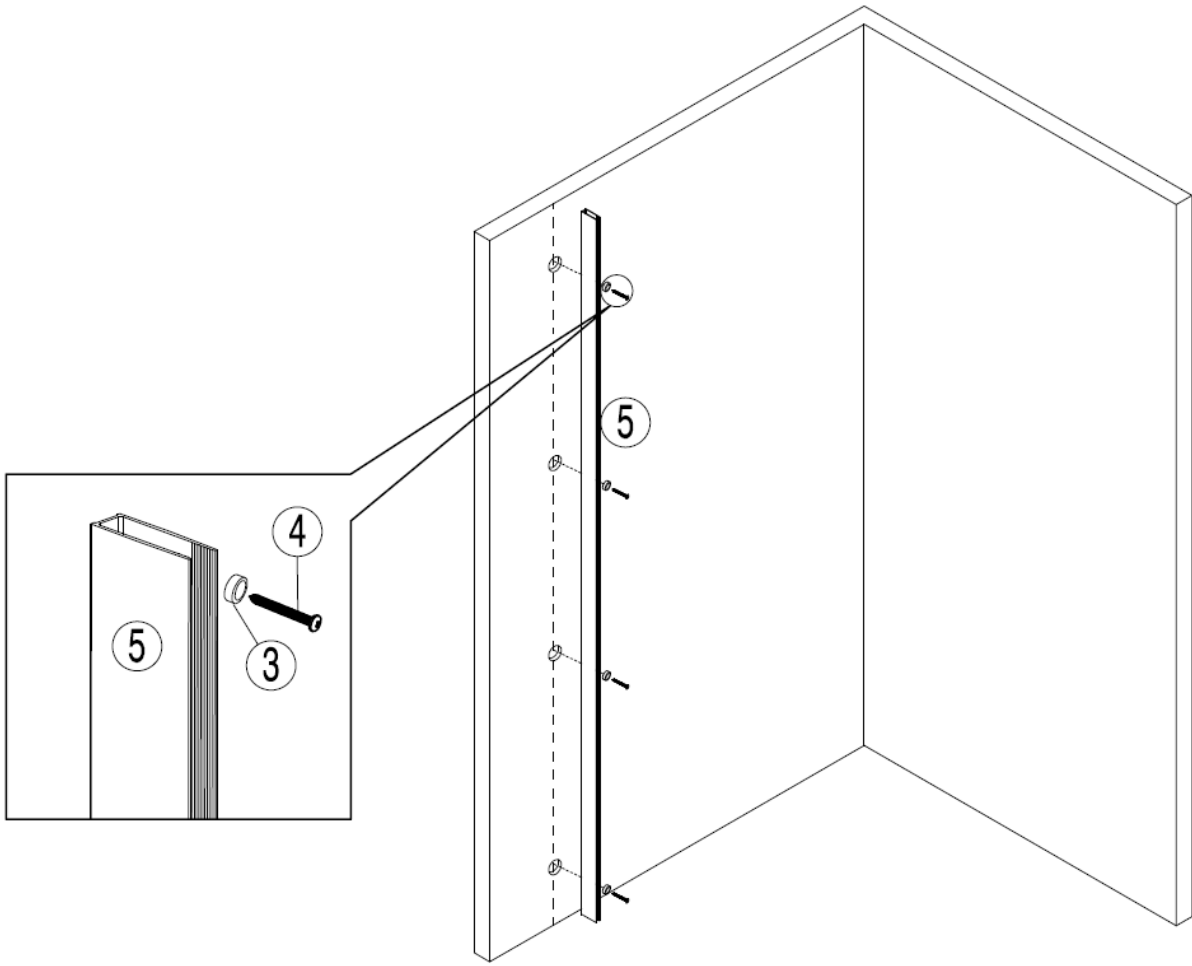
L



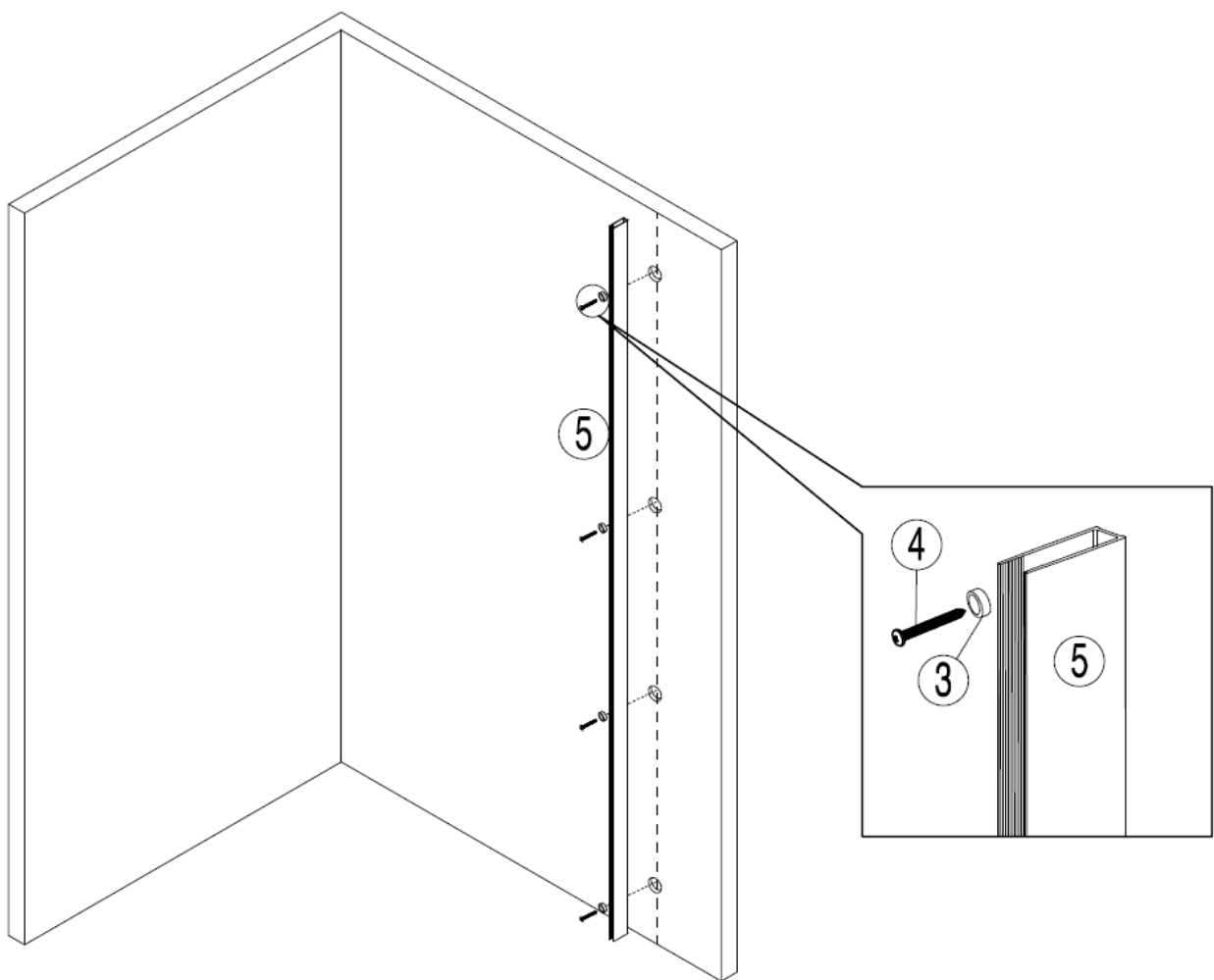
R



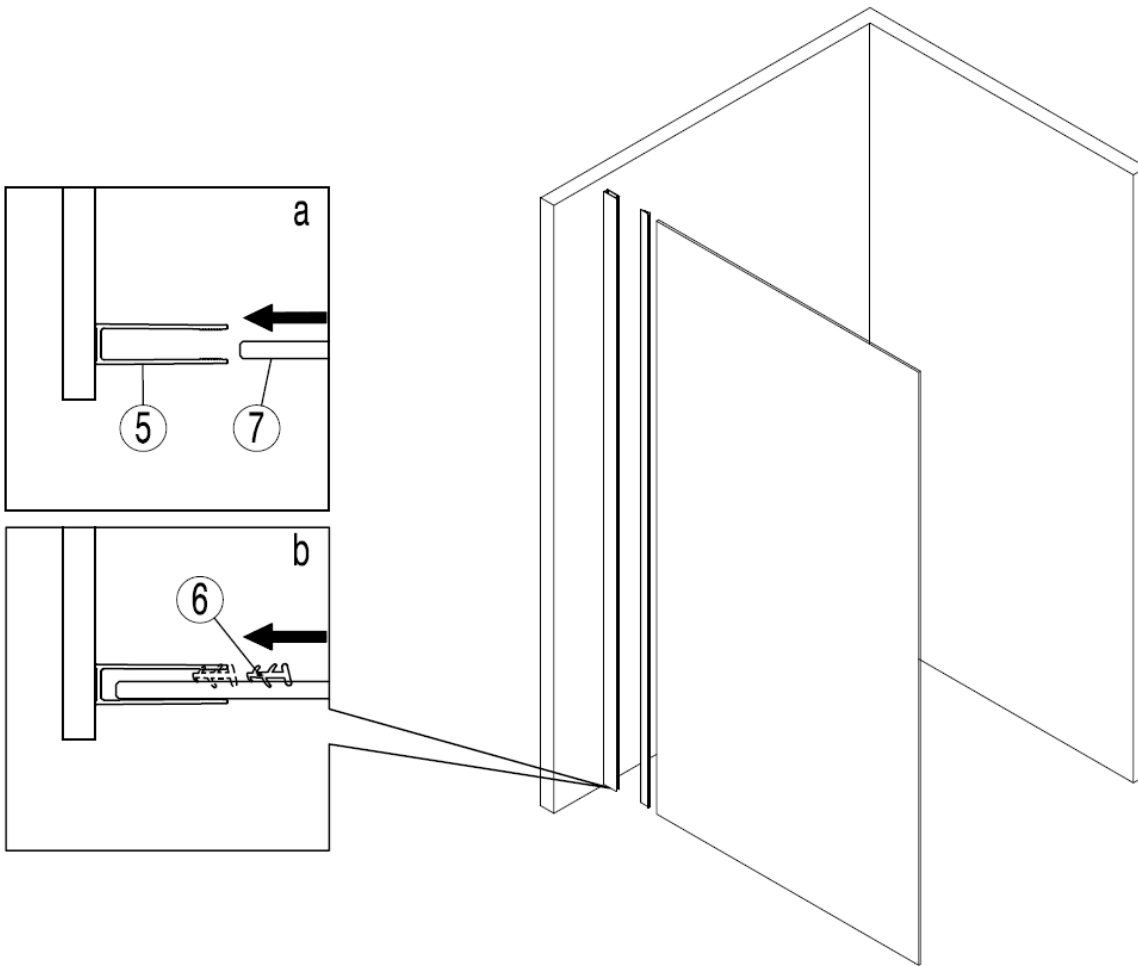
L



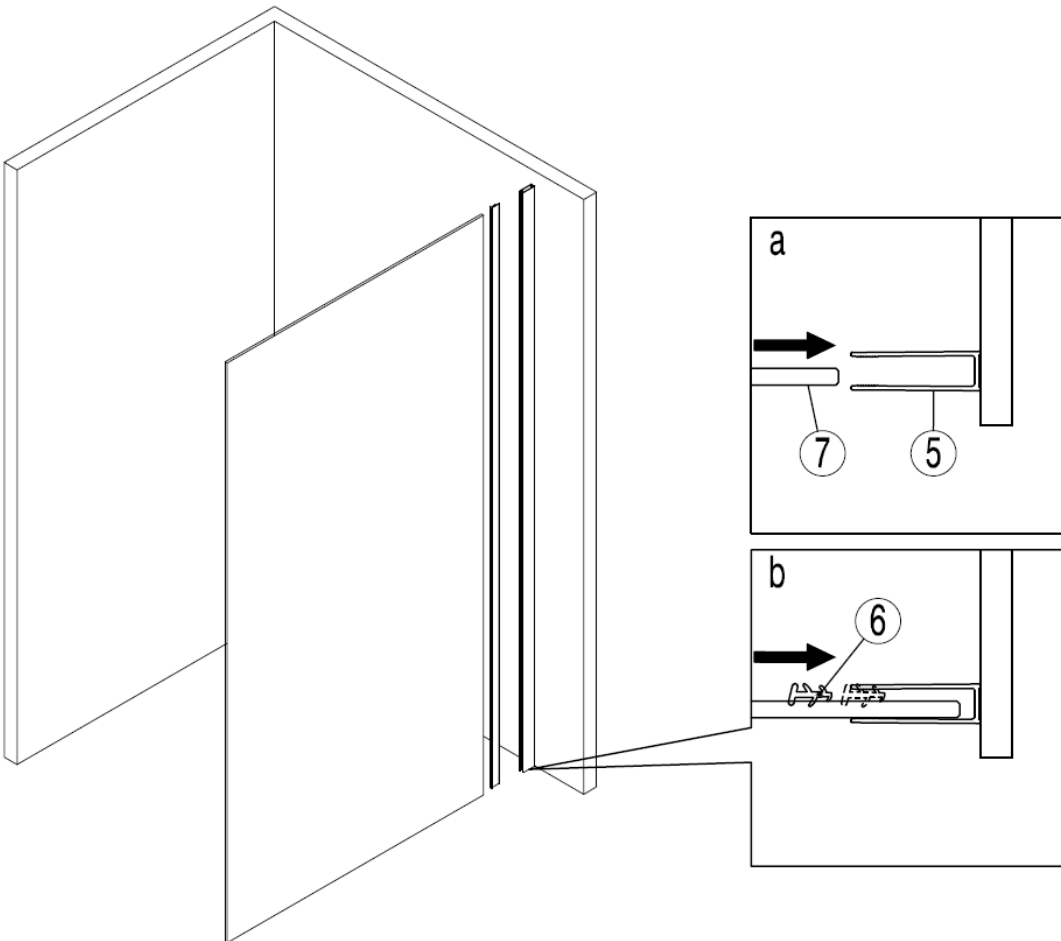
R

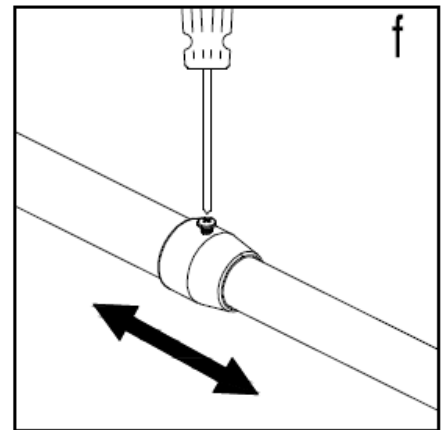
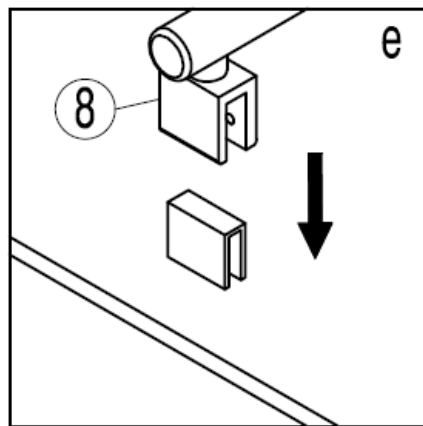
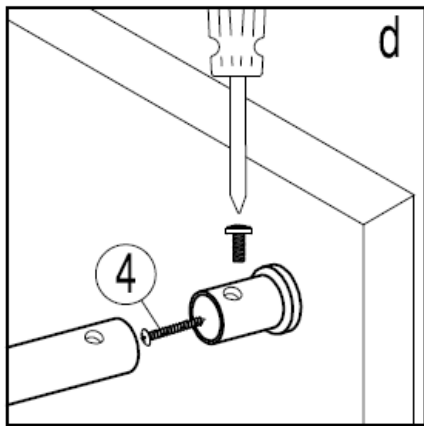
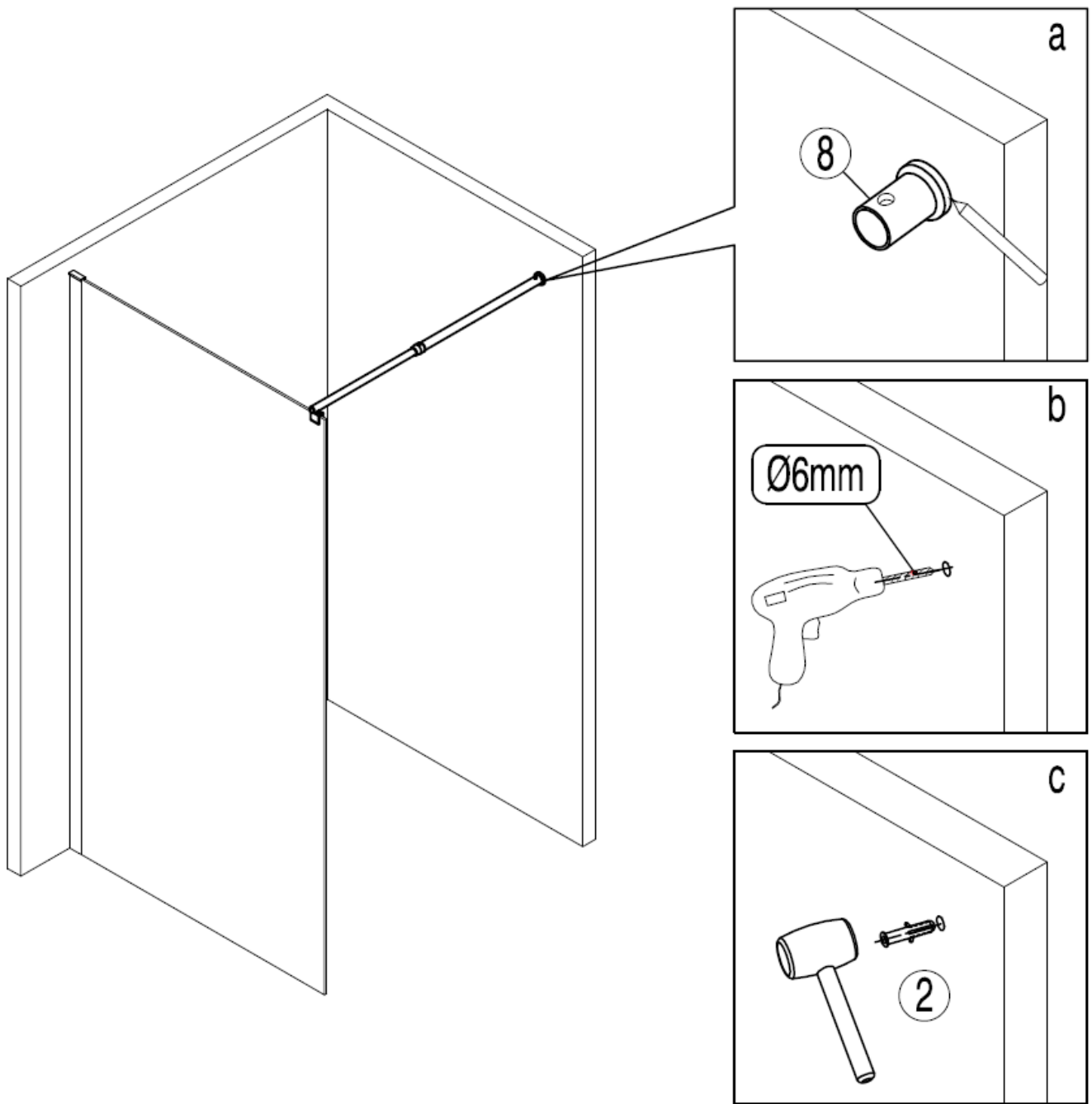


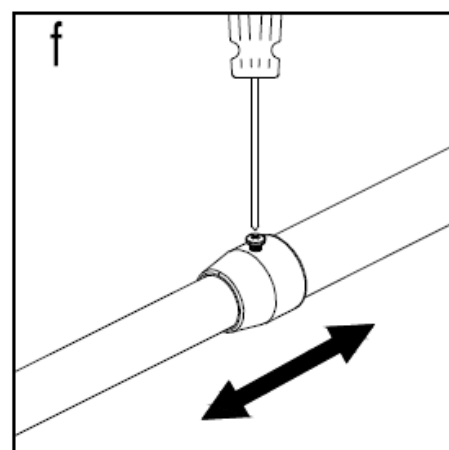
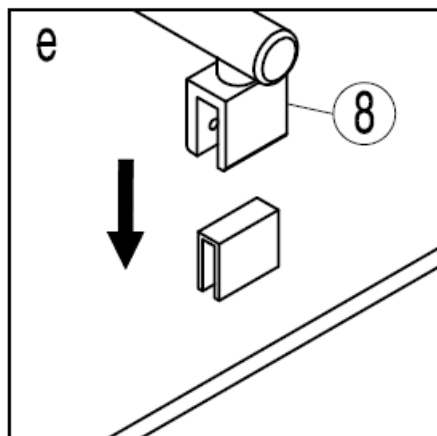
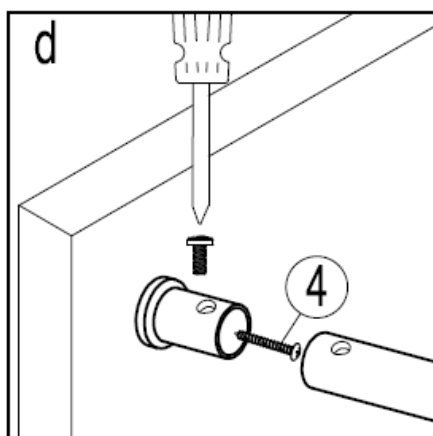
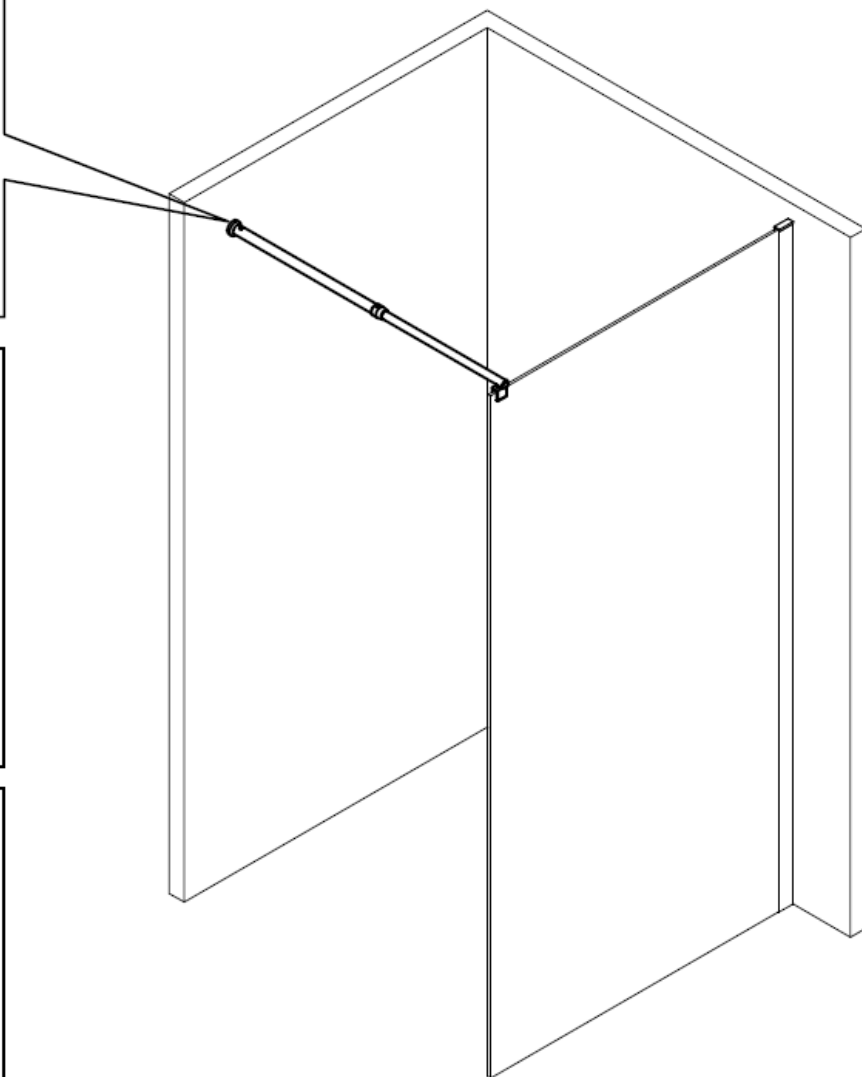
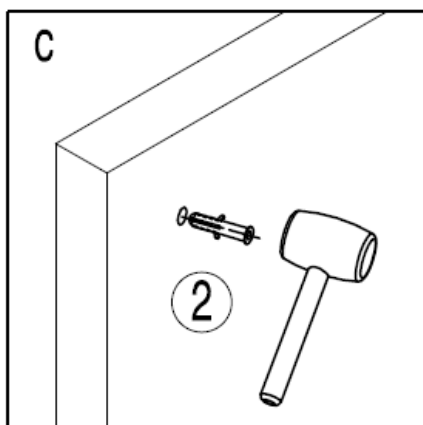
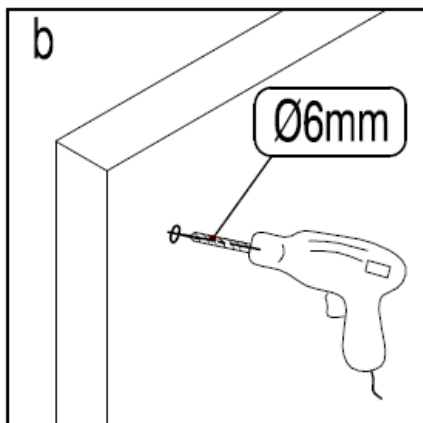
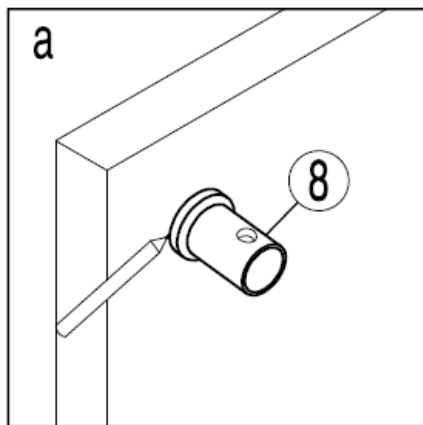
L

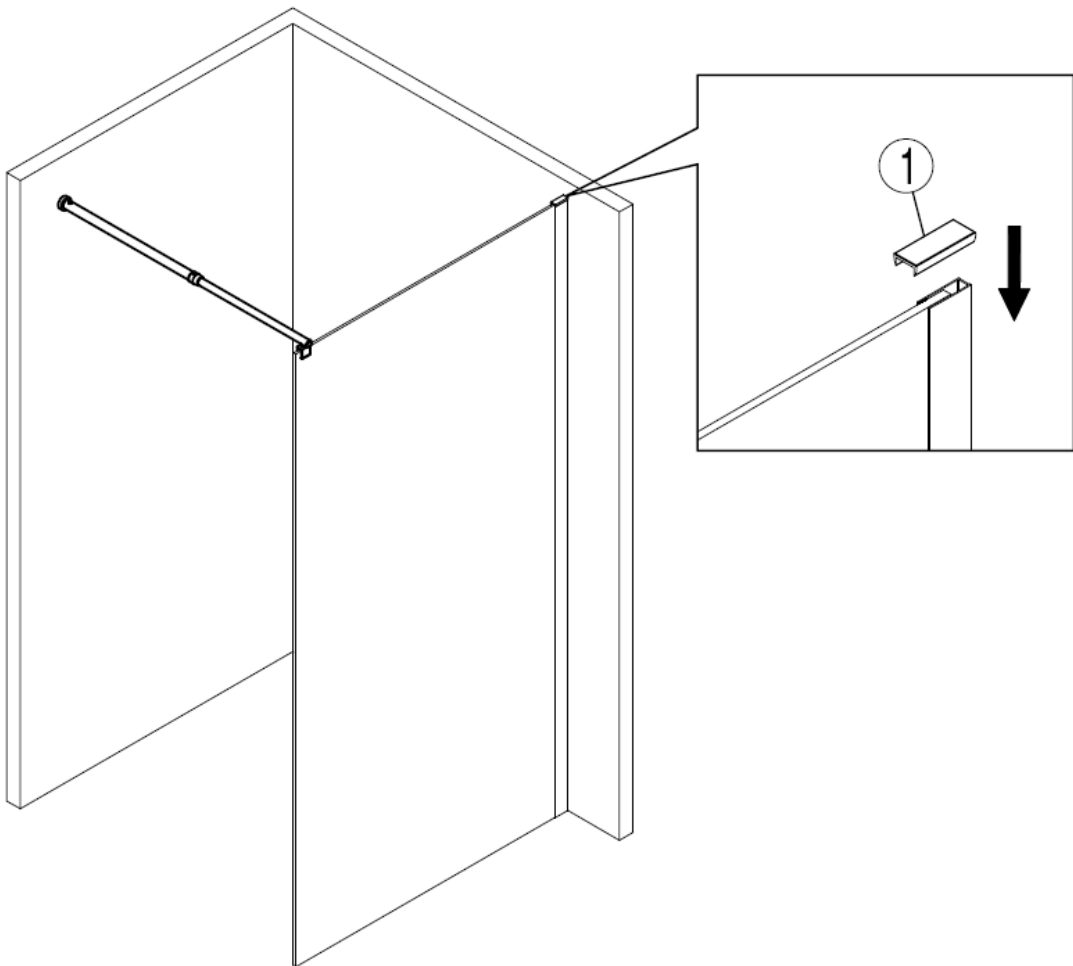
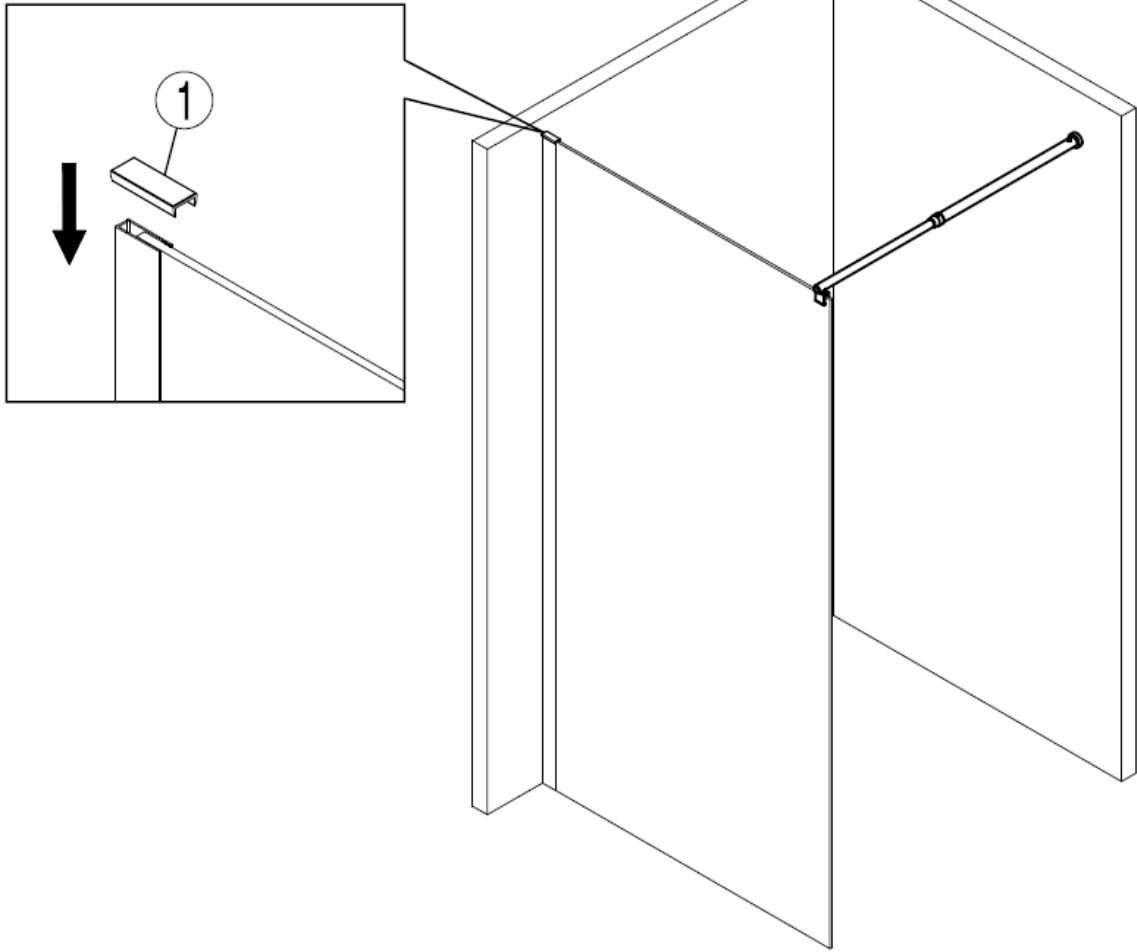


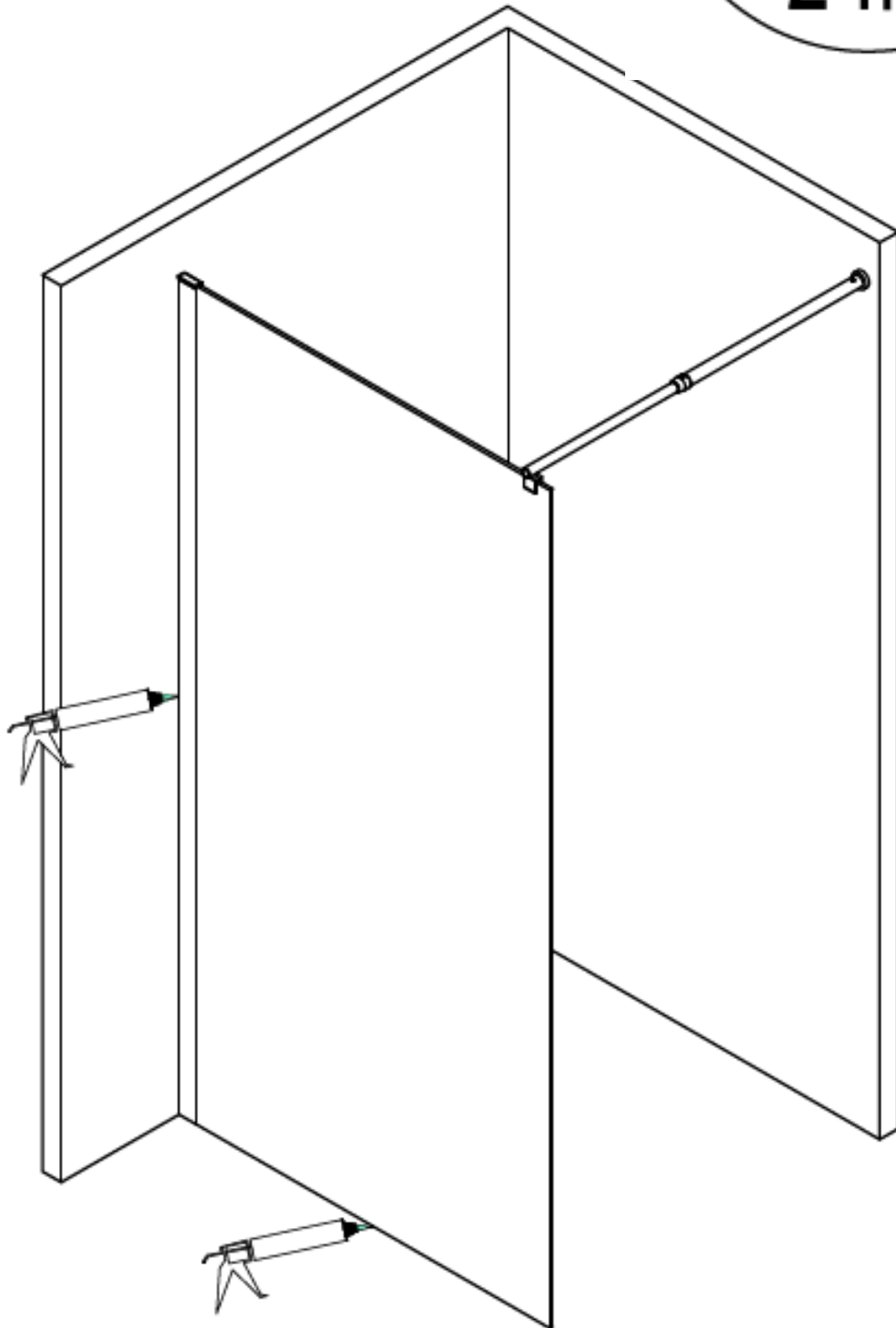
R











Warranty Information

- *This product is covered by a 10 year guarantee.*
- *The guarantee starts from the date of purchase.*
- *The guarantee covers you against issues caused as a result of manufacturing related issues, it does not apply to issues that are found to be a result of poor installation.*
- *Labour costs for installation of the product are not covered under this warranty.*

Aftercare

Please clean with a soft dry cloth or chamois, do not use abrasive cleaners on the glass or metal fixings.

Recycling & Disposal

Please recycle / dispose of this product in accordance with your local council / government guidelines.

Contact Us

LDG

Unit 1&2

Burnley

BB11 5UG