

# Milano

## SBSH008 Ceiling shower head

### Installation Guide

#### **Contents**

Safety Information **Page - 2**

Installation **Page - 2**

Warranty Information **Page - 4**

Recycling & Disposal **Page - 4**

# Safety Information

## *Please read carefully...*

- ✓ Check the product for defects before installing.
- ✓ We recommend installation is performed by a qualified plumber.
- ✓ Access to the ceiling cavity is required to install this product.

# Installation

## *Parts needed:*

3-4 x Horizontal Brackets (number dependant on model).

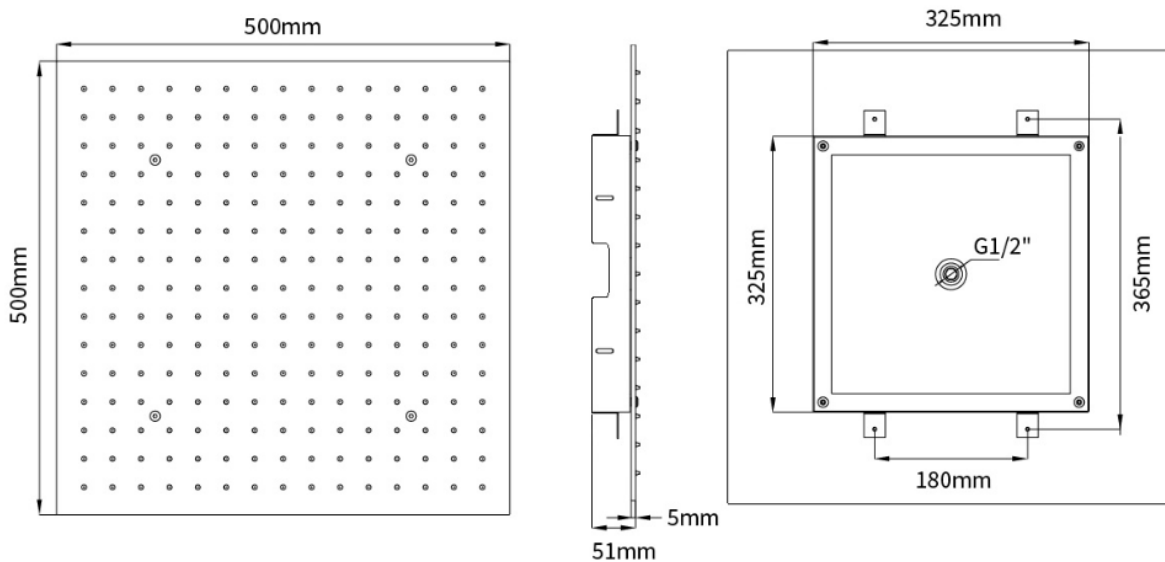
## *Tools required for installing:*

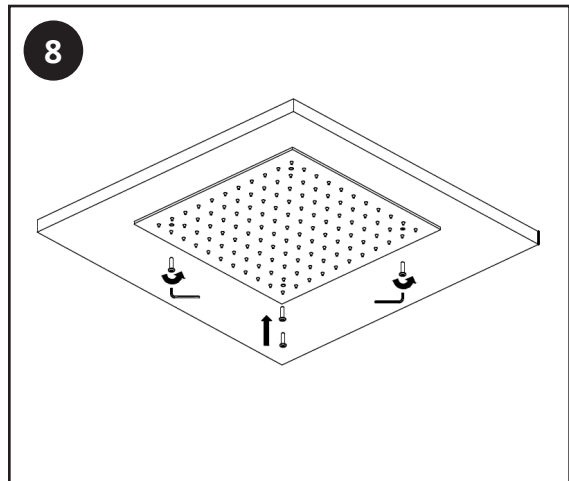
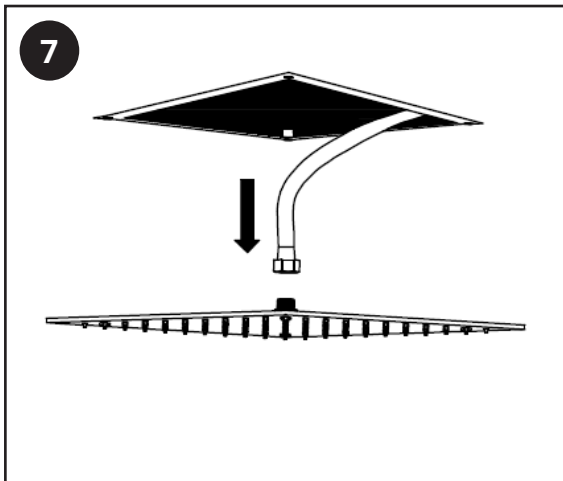
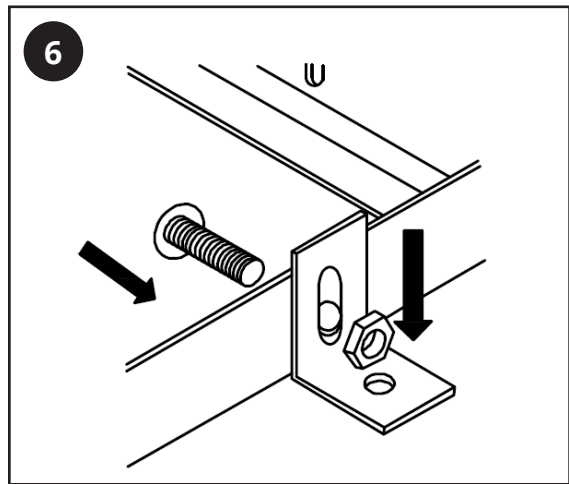
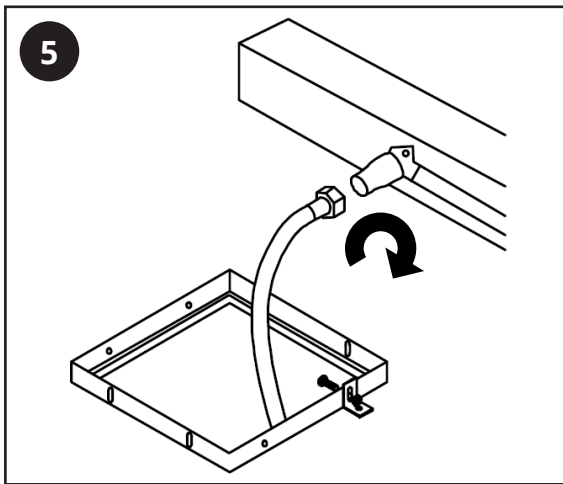
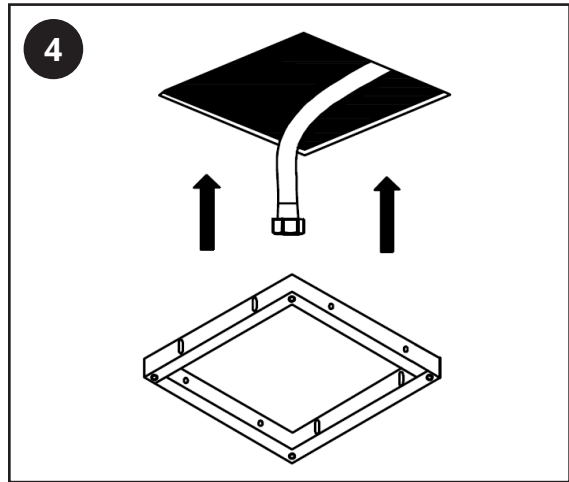
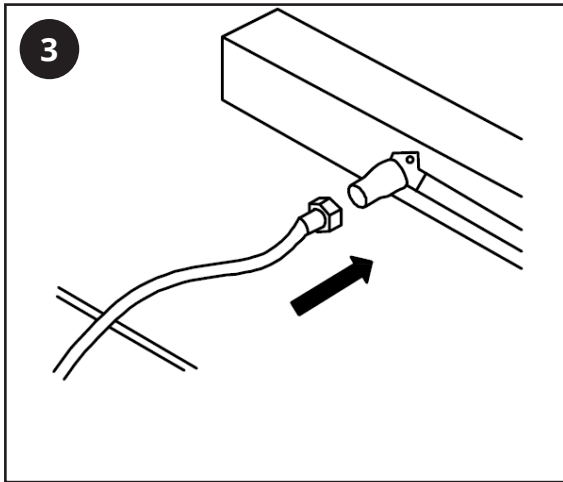
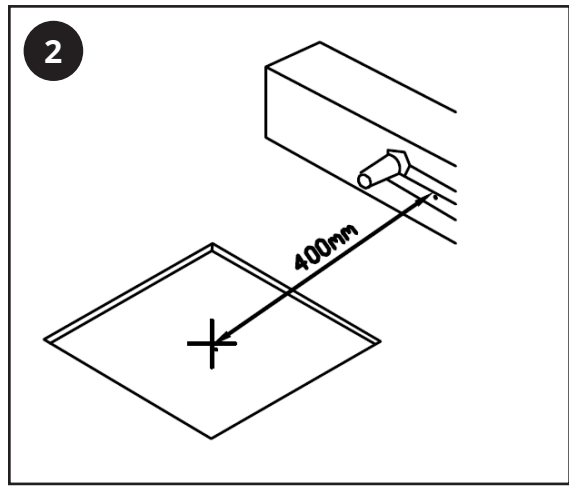
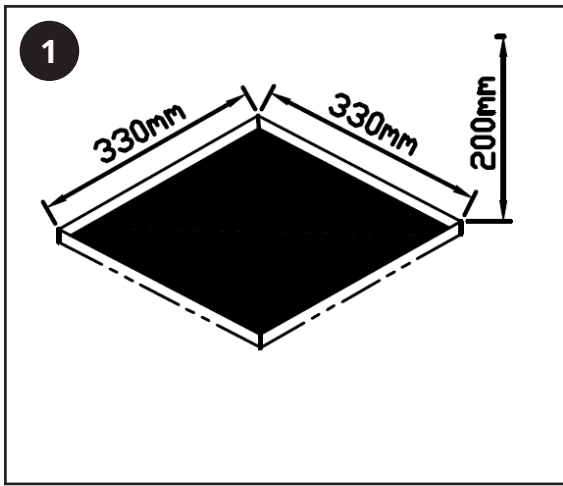
1. Flat Head Screwdriver
2. Adjustable spanner

1



2





## Warranty Information

---

- *To find the specific guarantee for your product please refer to the website.*
- *The guarantee starts from the date of purchase.*
- *The guarantee covers you against issues caused as a result of manufacturing related issues, it does not apply to issues that are found to be a result of poor installation.*
- *Labour costs for installation of the product are not covered under this warranty.*

## Aftercare

---

Clean any marks with a soft dry cloth, for stubborn stains please clean with mild soapy water and buff out with a soft cloth.

DO NOT use abrasive or acidic cleaners, if you are unsure, please contact us first.

## Recycling & Disposal

---

Please recycle / dispose of this product in accordance with your local council / government guidelines.

## Contact Us

---

MILANO

Unit 1&2

Burnley

BB11 5UB