

Independence Bathing - Installation Guide

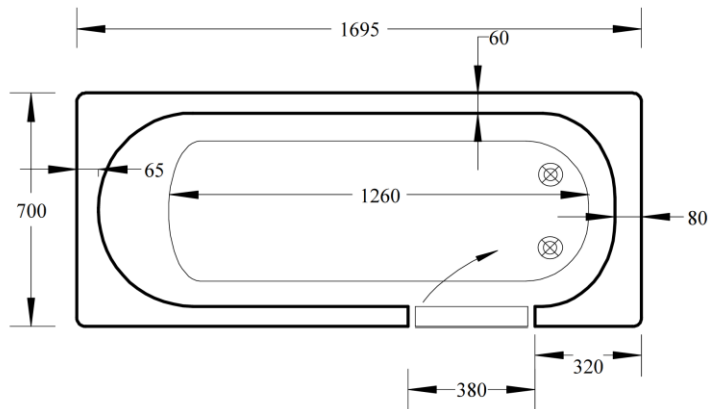
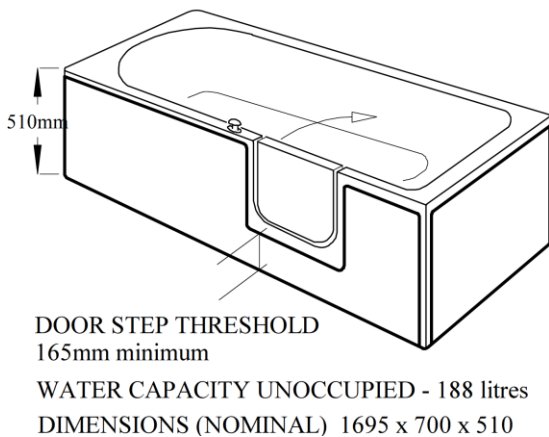
The Bath is supplied with the following:

Bath LH or RH Door
Front Panel & End Panel
2 x Wall Fixing Brackets

Other Items Required with Bath

2 x Waste Kits
Thermostatic valve 22mm – **Must be installed in all cases**
Bath Taps / Shower Mixer

SHOWN AS RHS BATH (as door position)



IMPORTANT NOTES

The bath is supplied with 6 supporting feet and adjusted to nominal height of 510mm to keep the door threshold/step at its lowest height for user comfort. Bath is filled only when user has entered and shut door consequently taps must be thermostatically controlled.

The 2 wastes & overflows provisions are to ensure the bath can be drained if one waste fails & for faster drainage. The bath should be installed rigidly to ensure there is no movement or sagging of the floor when bath is used.

Consideration should be given to lowering the wastes below the floor level to keep the step threshold to a minimum to assist customer's ability to step into the bath. Use only shallow waste traps.

If fitting in an alcove ensure the bath freely goes into position (as sideways pressure can distort the doorway).

The bath is manufactured in glass fiber with a gel-coat surface. When handling, proceed with care; in particular the bath edges are more brittle than in acrylic baths.

THE BATH IS MANUFACTURED IN GLASS FIBER. WHEN HANDLING PROCEED WITH CARE AND CAUTION. IN PARTICULAR THE EDGES ARE MORE BRITTLE THAN IN ACRYLIC BATHS.

STANDARD FITTING GUIDE

- 1) Fit the wall fixing brackets to bath timber frames to allow the bath to be secured to walls that abut the bath.
- 2) Drill and affix Taps.
- 3) Fit the 2 x wastes, overflows and waste traps. (Feed drain pipes independently or couple up)
- 4) Place bath into position & adjust to minimum height. The bath is adjusted at its lowest height to ensure door 'step in' threshold is kept at a minimum.

Note: It is advisable to fix batten runs on to the floor under the bath feet to avoid extending the legs to far & to ensure feet sit squarely and flat. On a wooden floor batten runs (minimum 3" x 2") should be positioned squarely across the floor boards to spread & support the load.

- 5) Level bath in all planes and lock the feet.
- 6) Mark wall fixings and plumbing runs.
- 7) Remove bath, drill wall fixings and run plumbing into position.
- 8) Re-position bath and affix to wall and to floor. Ensure the 2 bath feet under the doorway is cranked up to support the foot well as well as the doorway integrity.
- 9) Connect plumbing. The wastes may be run independently or joined by use of a tee, inserted after the in line traps. Refer to fitting guides for the Thermostatic valve and Pump if supplied.
- 10) Test plumbing for leaks and pump operation.
- 11) Fill bath to maximum and leave for about 30 minutes to test the door seal.
- 12) Whilst bath seal is tested position and trim to size front and side panels if required (front panel lips into top rim and is pre-cut to bath height).
- 13) End panel will require batten support along floor and on the vertical corner sides. Mark bottom of panels onto floor base and on the vertical and fit accordingly.
- 14) Refit front and side panels. Drill through bottom into batten. Affix panels using screws and caps. Do not use Silicone sealant as this prevents service access.
- 15) Finally drain bath and Leave the Door Open to prevent over compression and wearing of the seal.
- 16) Instruct customer on the use of the bath.

◆ Refer to 'Operating/Care and Maintenance Instructions' and leave copy with customer.

◆ Do not leave door in locked position on completion. Advise customer that the door should be left unlocked when not in use in order to preserve the seal.