

Rectangular bath panel

Installation Guide

Contents

Safety Information **Page - 2**

Installation **Page - 2**

Installation continued... **Page - 4**

Trimming the Universal end panel **Page - 4**

Overview **Page - 5**

Warranty Information **Page - 6**

Recycling & Disposal **Page - 6**

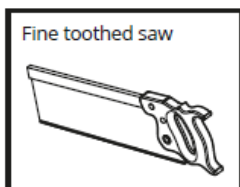
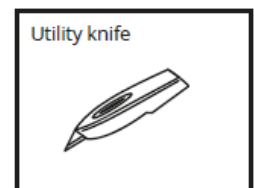
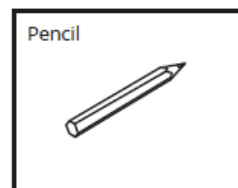
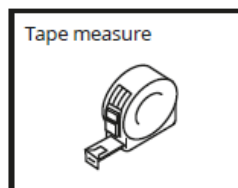
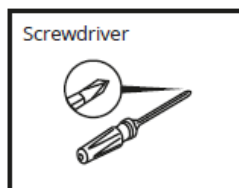
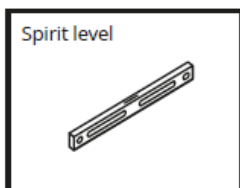
Safety Information

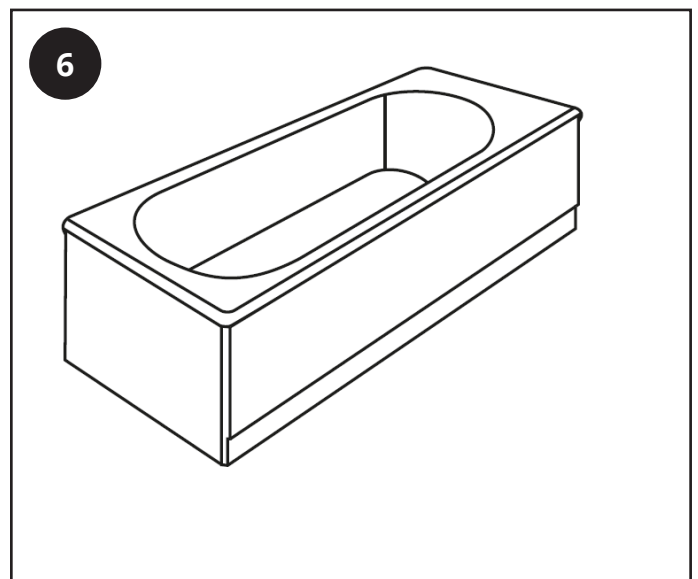
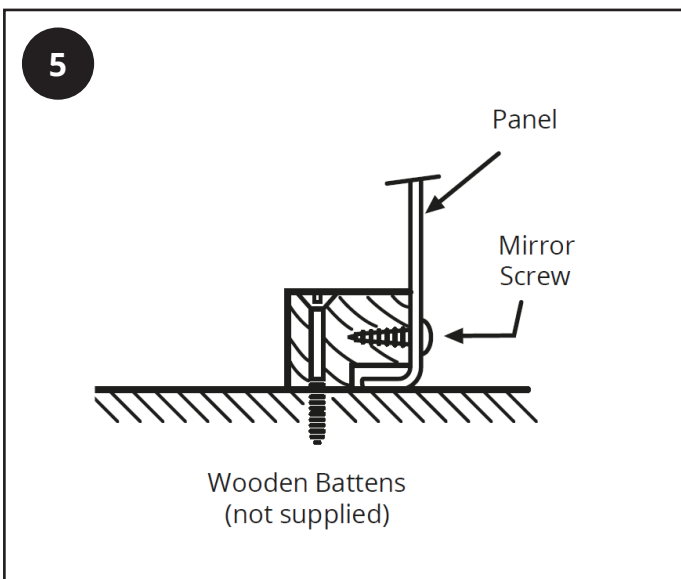
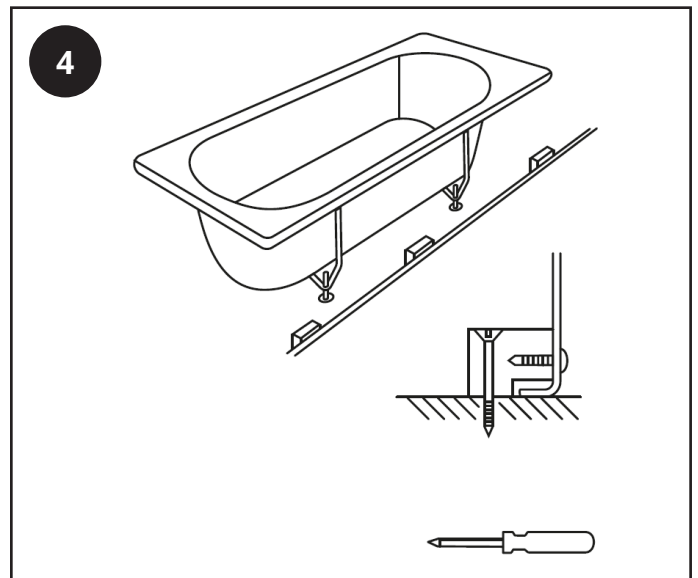
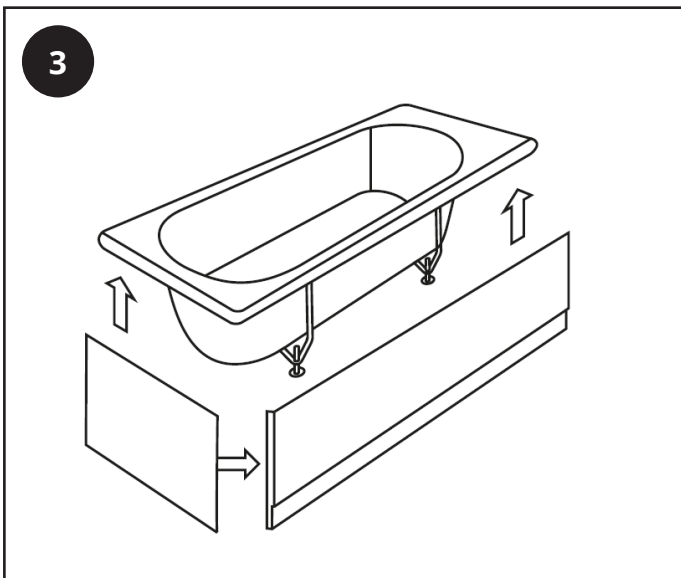
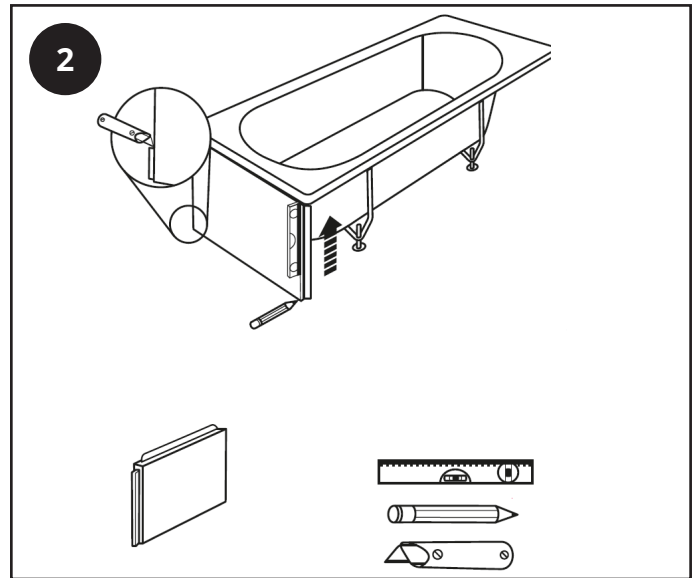
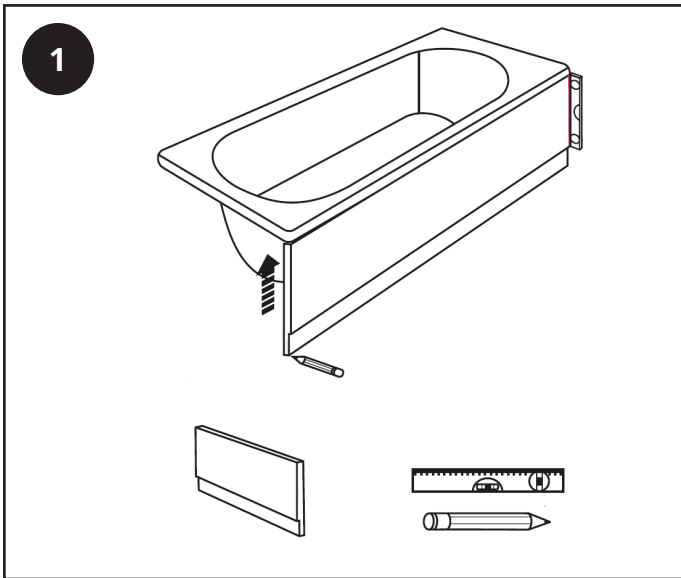
Please read carefully...

- ✓ Before fixing the panel, remove all protective covering and examine carefully. The polythene film must be removed in full and the panel checked for any visible damage.
- ✓ Unpack and check the product is complete and undamaged.
- ✓ Have the correct tools available.
- ✓ Prior to fitting the panel, carefully examine your bath for damage and that it provides a suitable colour match with the panel.
- ✓ Check the panel fit prior to installation, any refixing costs or claims for colour match and/or any other faults will not be accepted after fixing.

Installation

Tools required for installing:





Installation continued...

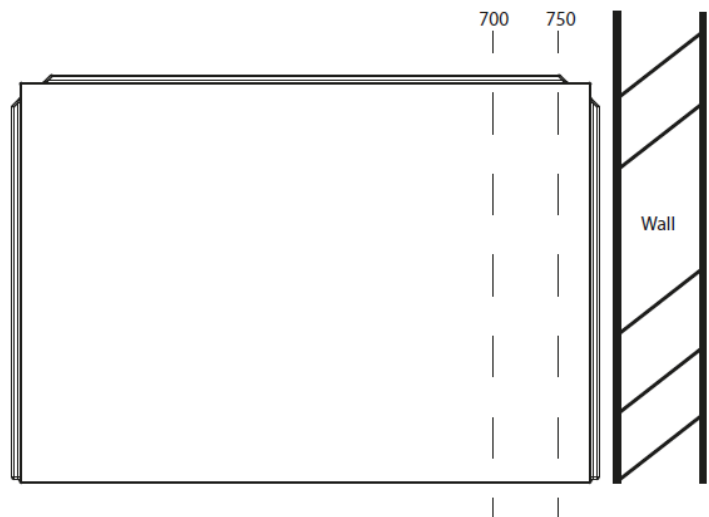
- 1**
- 2** Fit both panels in position, locate top flanges of the panels between bath frame and rim of bath.
- 3** Ensure that both panels are set vertical and that the end panel is located behind the front panel at the corner joint.
- 4** To secure the panel to the wall, use a piece of timber secured to the wall vertically. for the floor we recommend some rebated blocks set equal distances apart.
- 5** Small mirror screws can be used to secure the panel against the timber. Alternatively Velcro or Magnetic strips will secure in a neat fashion.
- 6** Finished installation.

Trimming the Universal end panel

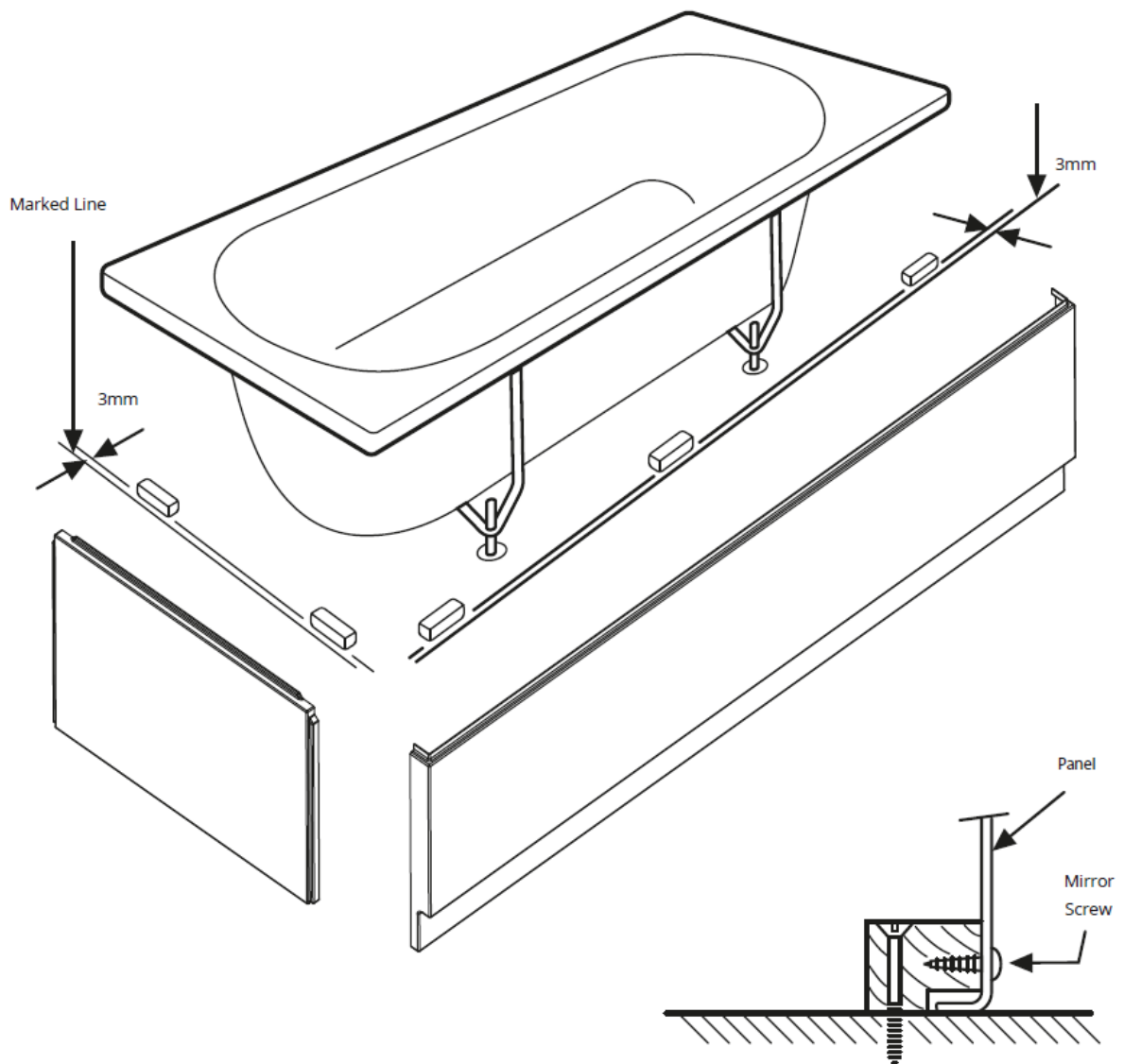
To create a 700 or 750mm finish, trim the end panel to suit at the wall side using a small fine toothed saw or sharp knife.

It is recommended that sizes are checked prior to cutting and fitting to prevent mistakes from occurring.

Please note: Image shown opposite is for illustrative purposes only.



Overview



Warranty Information

- *To find the specific guarantee for your product please refer to the website.*
- *The guarantee starts from the date of purchase.*
- *The guarantee covers you against issues caused as a result of manufacturing related issues, it does not apply to issues that are found to be a result of poor installation.*
- *Labour costs for installation of the product are not covered under this warranty.*

Aftercare

Clean any marks with a soft dry cloth, for stubborn stains please clean with mild soapy water and buff out with a soft cloth.

DO NOT use abrasive or acidic cleaners, if you are unsure, please contact us first.

Recycling & Disposal

Please recycle / dispose of this product in accordance with your local council / government guidelines.

Contact Us

LDG

Unit 1&2

Burnley

BB11 5UB