

# Milano

## RDCVPW780

## Installation Guide

### **Contents**

Safety Information **Page - 2**

Installation **Page - 2**

Guarantee Information **Page - 4**

Recycling & Disposal **Page - 4**

# Safety Information

---

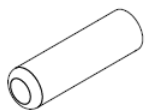
## *Please read carefully...*

- ✓ Check the product for defects before installing.
- ✓ Ensure all parts are present before you begin installation.

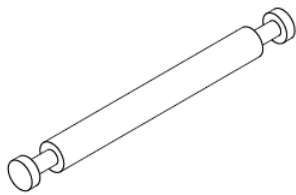
# Installation

---

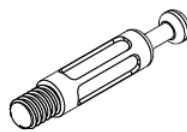
## *Parts needed:*



**A-24**



**B-8**



**C-14**



**D-14**  
(15X12)

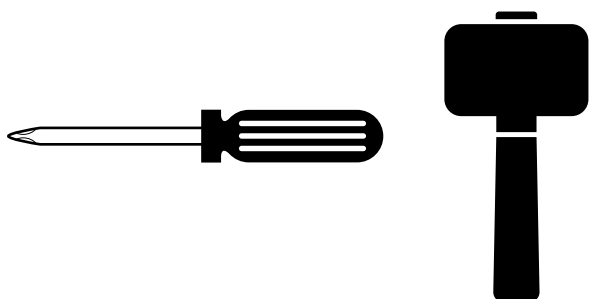


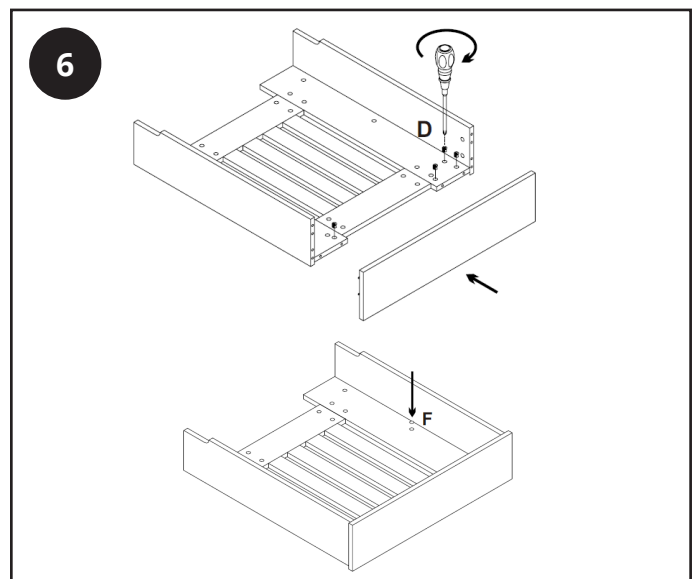
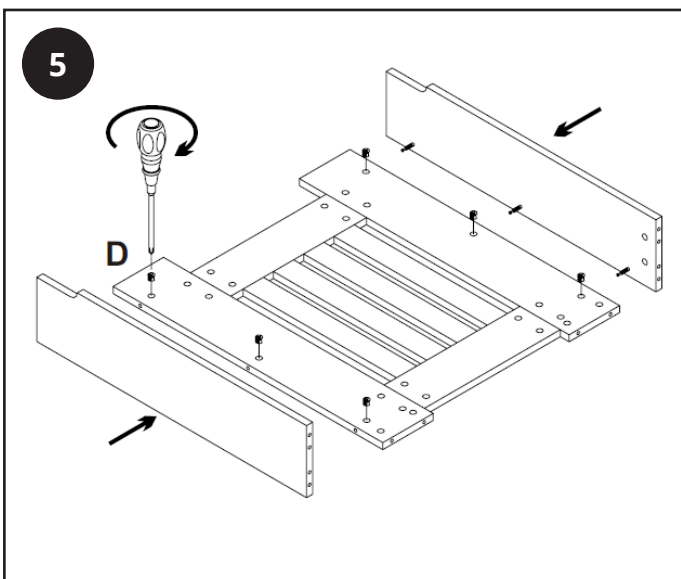
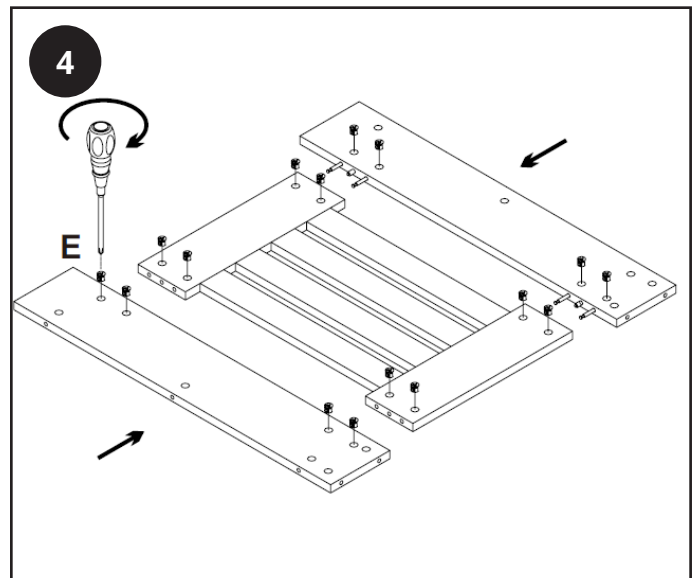
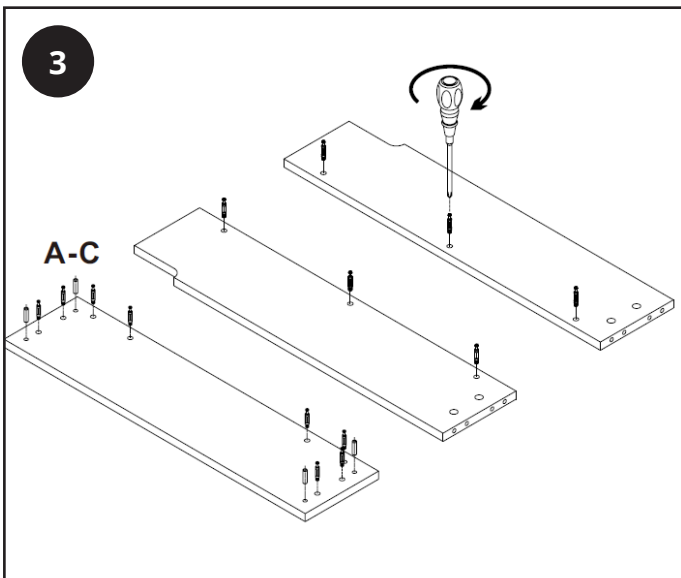
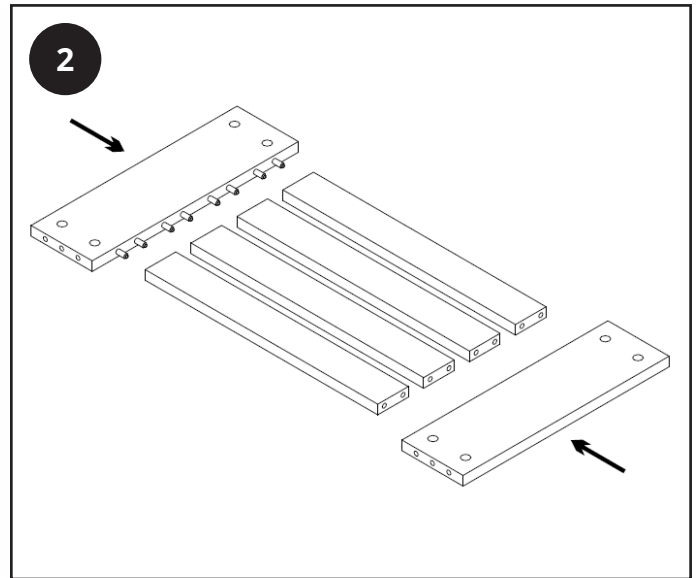
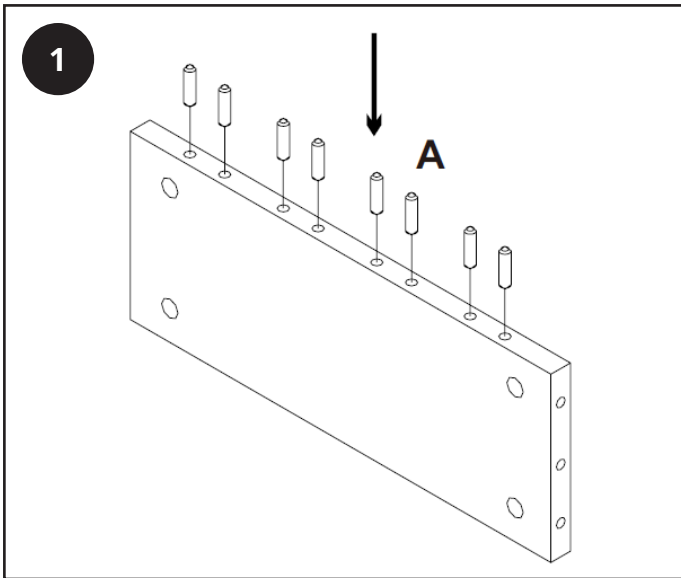
**E-16**  
(15X14)



**F-30**

## *Tools required for installing:*





# Guarantee Information

---

- *To find the specific guarantee for your product please refer to the website.*
- *The guarantee starts from the date of purchase.*
- *The guarantee covers you against issues caused as a result of manufacturing related issues, it does not apply to issues that are found to be a result of poor installation.*
- *Labour costs for installation of the Product are not covered under this warranty.*

# Aftercare

---

Clean any marks with a soft dry cloth. DO NOT use abrasive or acidic cleaners, if you are unsure, please contact us first.

# Recycling & Disposal

---

Please recycle / dispose of this product in accordance with your local council / government guidelines.

# Contact Us

---

Milano

Unit 1&2

Dawson court

Burnley

BB11 5UB