

Milano

RDCVPW1110

Installation Guide

Contents

Safety Information **Page - 2**

Installation **Page - 2**

Guarantee Information **Page - 4**

Recycling & Disposal **Page - 4**

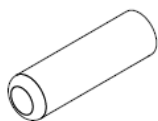
Safety Information

Please read carefully...

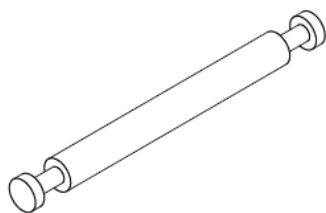
- ✓ Check the product for defects before installing.
- ✓ Ensure all parts are present before you begin installation.

Installation

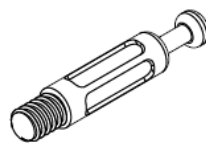
Parts needed:



A-40



B-8



C-14



D-14
(15X12)

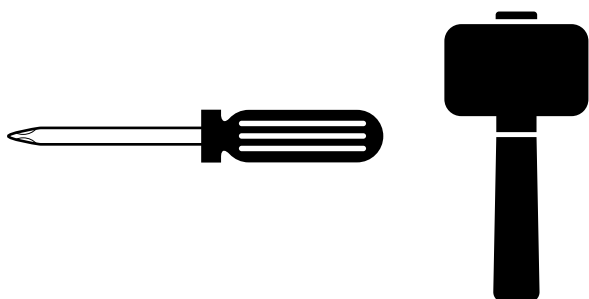


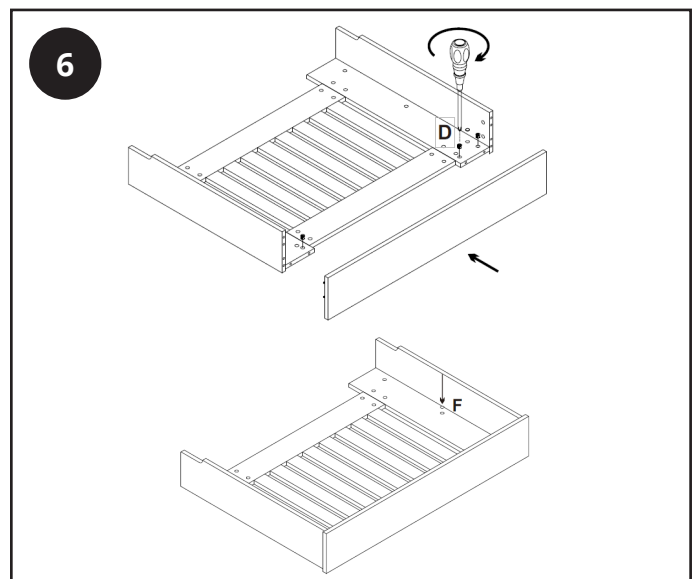
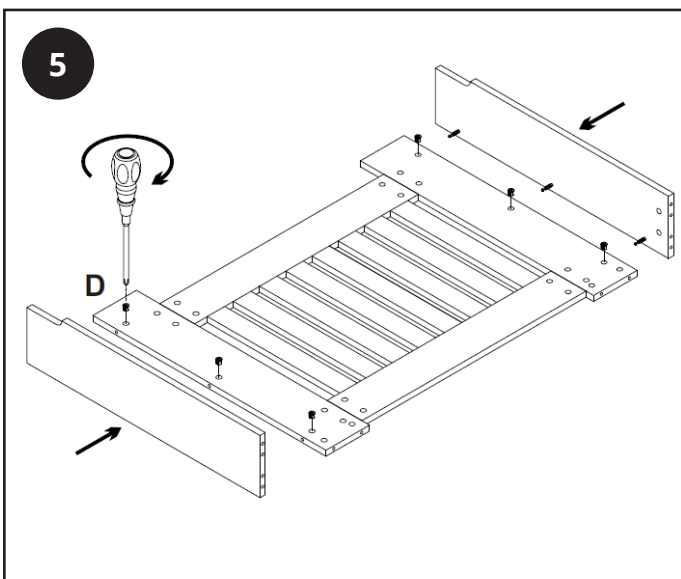
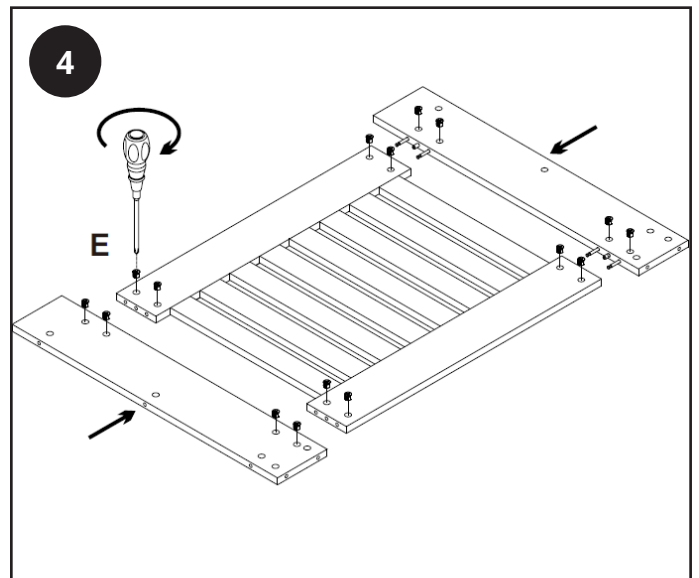
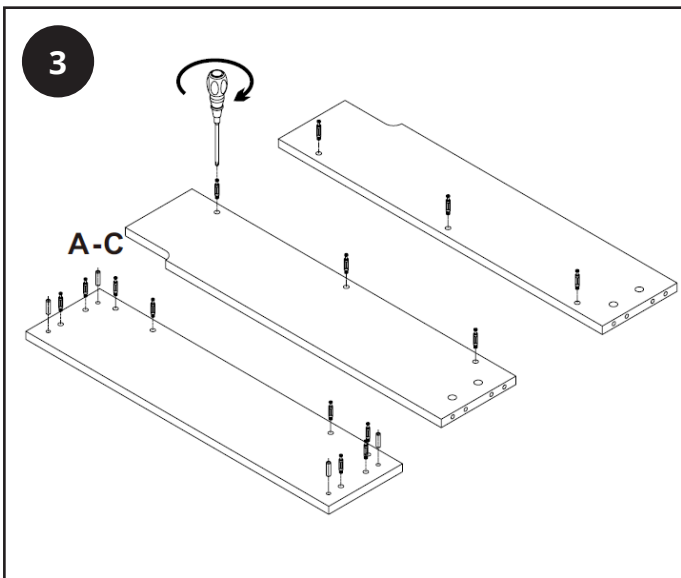
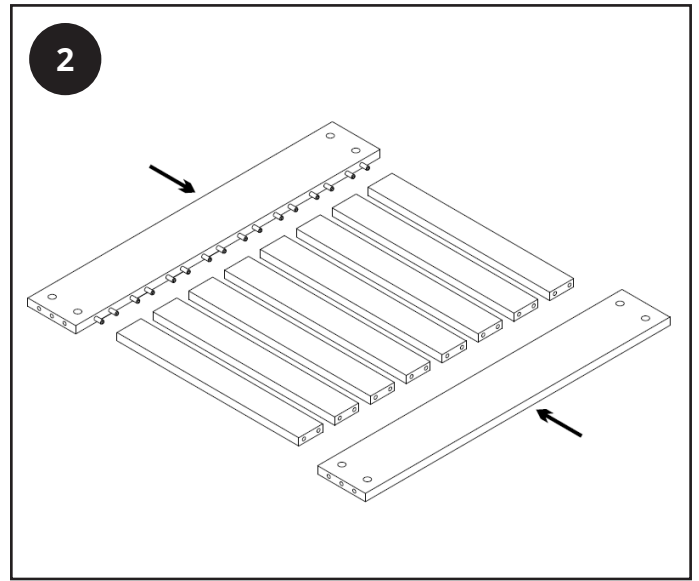
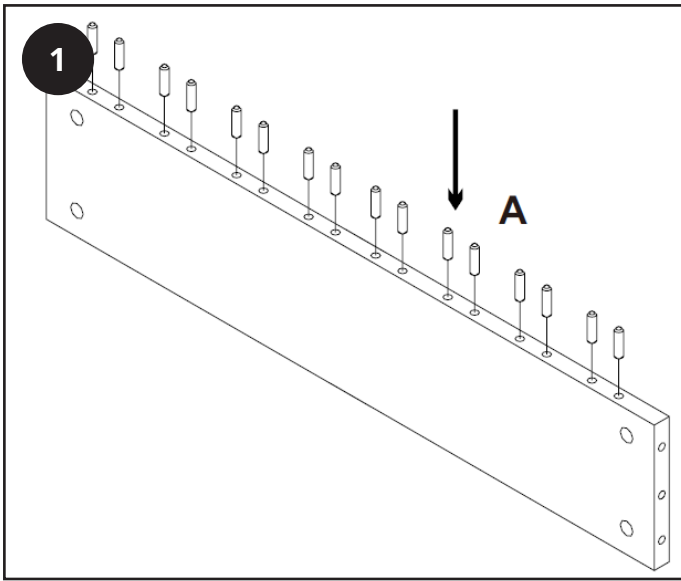
E-16
(15X14)



F-30

Tools required for installing:





Guarantee Information

- *To find the specific guarantee for your product please refer to the website.*
- *The guarantee starts from the date of purchase.*
- *The guarantee covers you against issues caused as a result of manufacturing related issues, it does not apply to issues that are found to be a result of poor installation.*
- *Labour costs for installation of the Product are not covered under this warranty.*

Aftercare

Clean any marks with a soft dry cloth. DO NOT use abrasive or acidic cleaners, if you are unsure, please contact us first.

Recycling & Disposal

Please recycle / dispose of this product in accordance with your local council / government guidelines.

Contact Us

Milano

Unit 1&2

Dawson court

Burnley

BB11 5UB