

# Independence Bathing- P Shape Installation Guide.

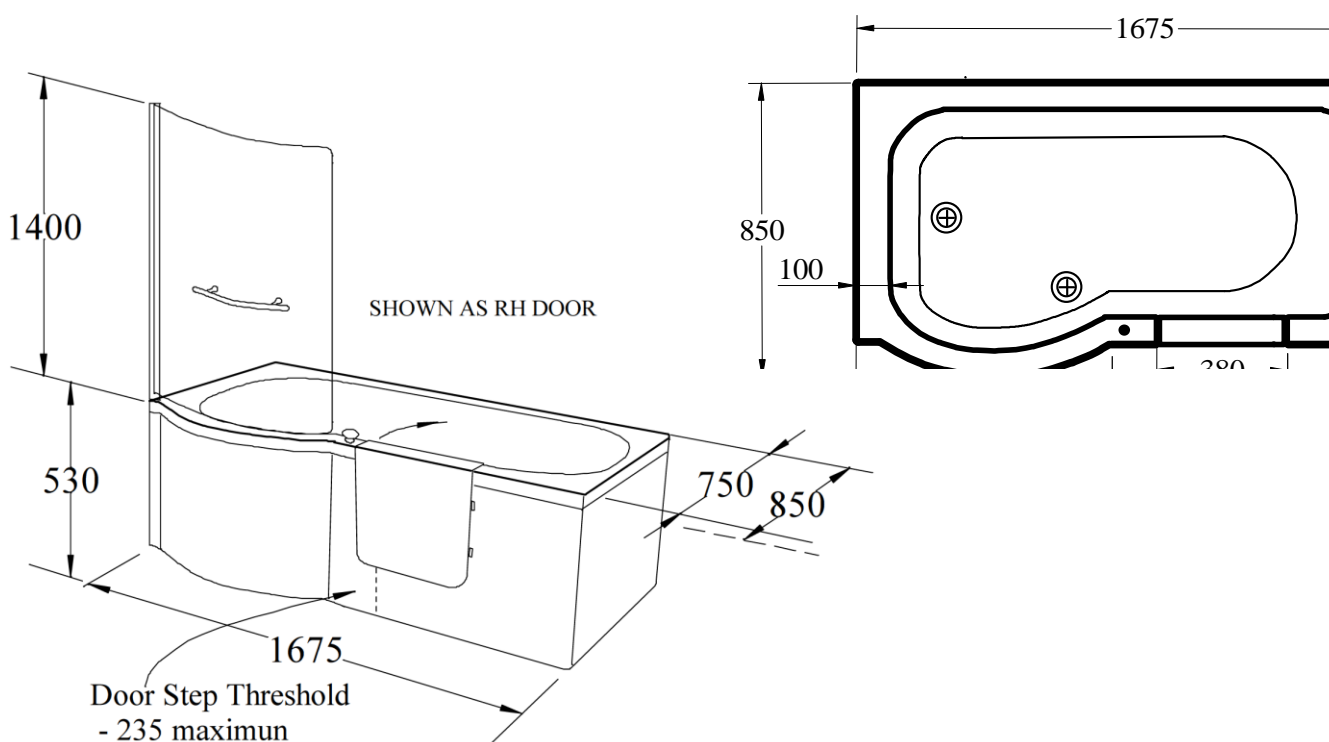
The P Shape Shower Bath is supplied with the following components:- Bath (LH or RH door opening) with Front Panel, End Panel & 2 x Wall Brackets

**Other Items Required:**

Shower Screen

2 x Waste kits

Thermostatic Valve (TMV22 for high flow rate). **MUST BE INSTALLED IN ALL CASES** Bath Taps/Shower mixer.



## **IMPORTANT NOTES**

The bath is supplied with 7 adjustable feet. 5 are fitted with 2 outrigger legs supplied loose. It has a water capacity of 225 Litres unoccupied. Bath is filled only when user has entered and shut the door consequently taps must be thermostatically controlled.

Installation is similar to a standard bath. 2 x twin wastes are used to increase drainage rate & to ensure the bath can be drained if one waste fails. The bath should be installed rigidly to ensure there will be no movement or sagging of the floor when bath is used.

Consideration should be given to lowering the wastes below the floor level to keep the step threshold to a minimum to assist customer's ability to step into the bath. Use only shallow waste traps.

If fitting in an alcove ensure the bath freely goes into position as sideways pressure can distort the doorway.

The P Shape is manufactured in glass fibre. When handling, proceed with care and caution, in particular the bath edges are more brittle than in acrylic baths.

## **Standard Fitting Guide.**

- 1) Fit the wall fixing brackets to back of back of the bath timber frame for fixing the bath to the wall.
- 2) Secure the 2 loose feet supplied to the plastic sockets underneath the bath.
- 3) Drill and affix Taps.
- 4) Fit the 2 wastes, overflows and waste traps (waste pipes can be coupled or fed dependently)
- 5) Place bath in position and adjust to minimum height.

Note: It is advisable to fix batten runs on to the floor under the bath feet to avoid extending the legs to far & to ensure feet sit squarely and flat. On a wooden floor batten runs (3" x 2" minimum) should be positioned squarely across the floor boards to spread & support the load.

- 6) Level bath in all planes using the 7 adjustable feet and lock the feet. **Ensure Bath Foot underneath doorway is cranked up to support bath well.**
- 7) Mark wall fixings and plumbing runs.
- 8) Remove bath, drill in wall fixings where accessible and run plumbing into position.
- 9) Re-position bath and fix to the floor via all seven bath-feet. Ensure the bath foot under the doorway is cranked up to support the foot well.
- 10) Connect plumbing. Refer to fitting guides for the Thermostatic valve.
- 11) Test plumbing for leaks.
- 12) Fill bath to maximum and leave for about 30 minutes to test the door seal.
- 13) While the bath seal is being tested position and trim to size the front and side panels.
- 14) Mark bottom of panels onto floor base. Fix battens along floor behind panels.
- 15) Refit front and side panels. Drill through bottom into batten and top into bath wooden frame. Push fit panels onto the retaining clips prefitted on the bath sides. Do not use Silicone sealant as this prevents service access.
- 16) Silicone bath rims to walls as necessary.
- 17) **Install shower screen following the instruction sheet packed with the screen**
- 18) Finally drain bath and **leave the Door Open** to prevent over compression of the seal.
- 19) Instruct customer on the use of the bath.

◆ Refer to 'Operating/Care and Maintenance Instructions' and leave copy with customer.

◆ Do not leave door in locked position on completion. Advise customer that the door should be left unlocked when not in use in order to preserve the seal.