

Milano

Offset Shower Enclosure

Installation Guide

Contents

Glass Safety **Page - 2**

Protective equipment **Page - 2**

Parts inventory **Page - 3**

Tools Required **Page - 4**

Overview **Page - 5**

Installation **Page - 6**

Warranty Information **Page - 17**

Aftercare **Page - 17**

Recycling & Disposal **Page - 17**

Glass Safety

Please read carefully...

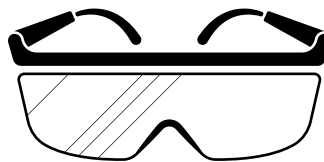
- ✓ When handling large glass panels, we recommend that two people are used to evenly carry the load.
- ✗ Avoid applying pressure to the glass as this will cause it to flex and it may shatter
- ✓ Always place glass sheets onto a soft surface, hard surfaces may damage it.
- ✓ Install glass as per the manufacturers instructions.
- ✗ Do not remove glass from the packaging until it is needed for installation.
- ✓ In the event of breakage, cordon off the area immediately to prevent injury.
- ✓ If you suspect that any part of the product is damaged, do not continue with installation, pack the product away and contact the manufacturer.

Protective equipment

When handling glass it is important that the correct protective equipment is worn.

1. Eye Protection
2. Safety Gloves
3. Safety Boots

1






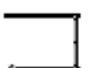




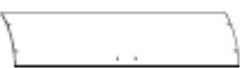




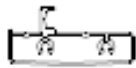


2







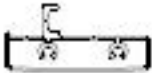




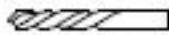
3



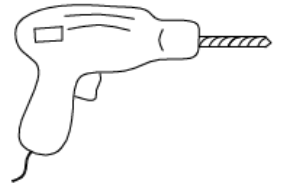
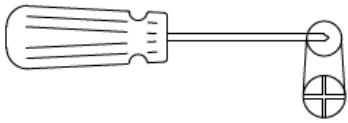
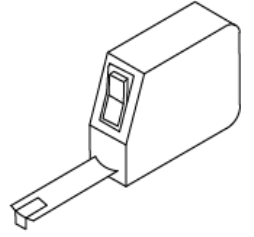
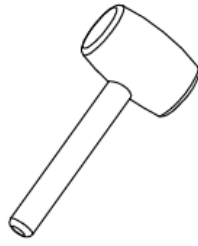
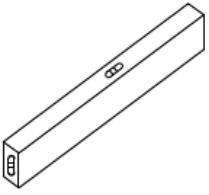
Parts Inventory

serial number	graphical	name	quantity	remarks
1			6 PCS	
2		ST3. 9X35	6 PCS	
3			1 PCS	
4			2 PCS	
5			6 PCS	
6		ST3. 5X9. 5	6 PCS	
7			2 PCS	
8			2 PCS	
9			2 PCS	
10			4 PCS	
11		ST3. 5X35	8 PCS	
12			8 PCS	
13			2 PCS	
14			1 PCS	
15		ST3. 5X9. 5	8 PCS	
16			2 PCS	

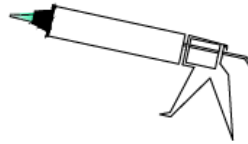
Parts Inventory

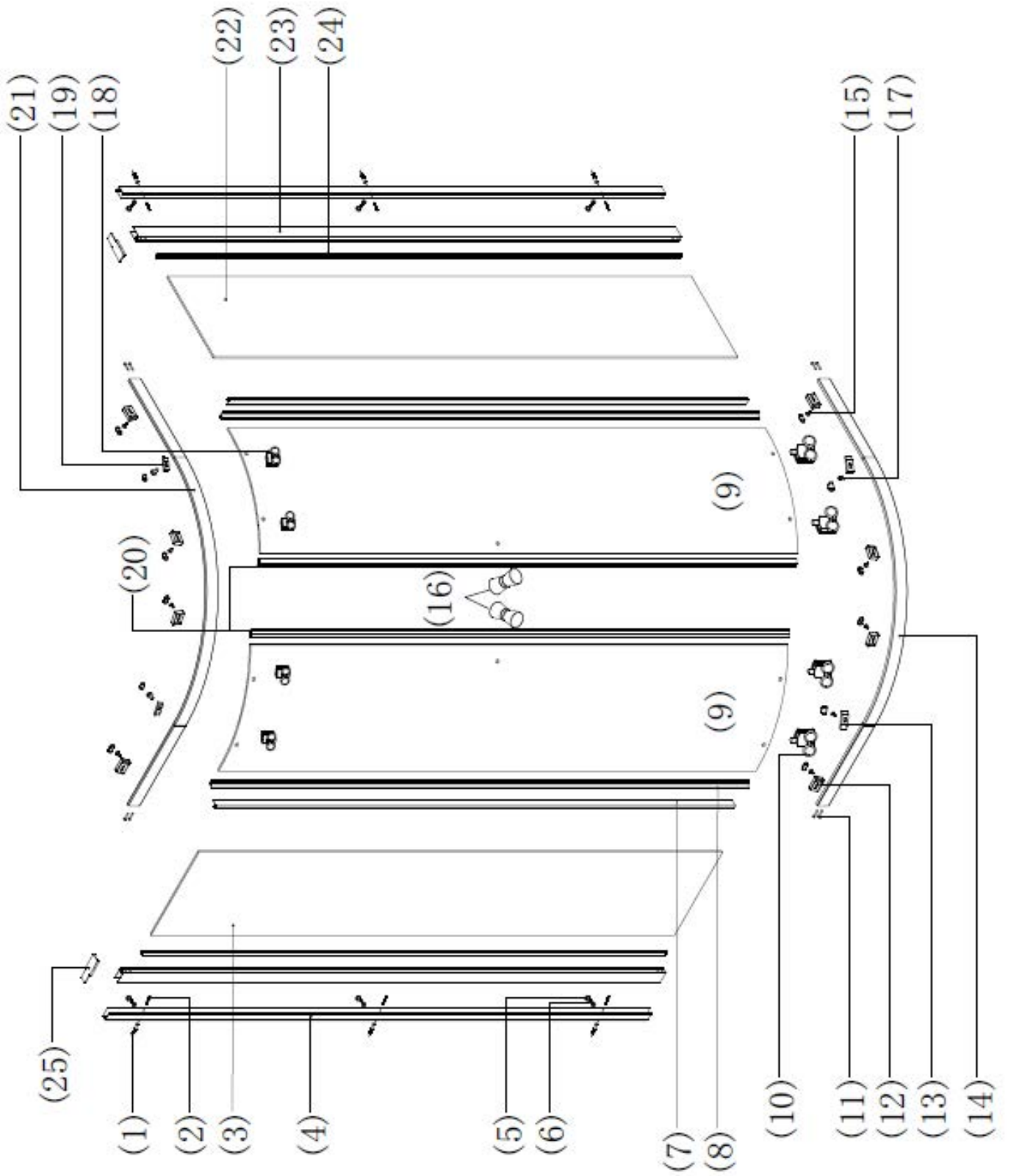
serial number	graphical	name	quantity	remarks
17		ST3. 5X13	4 PCS	
18			4 PCS	
19			2 PCS	
20			1 PCS	
21			1 PCS	
22			1 PCS	
23			2 PCS	
24			2 PCS	
25			2 PCS	
26		Ø2.8	1 PCS	

Tools Required

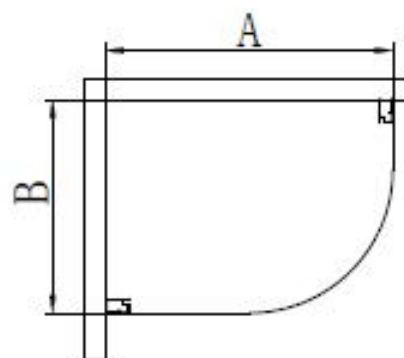
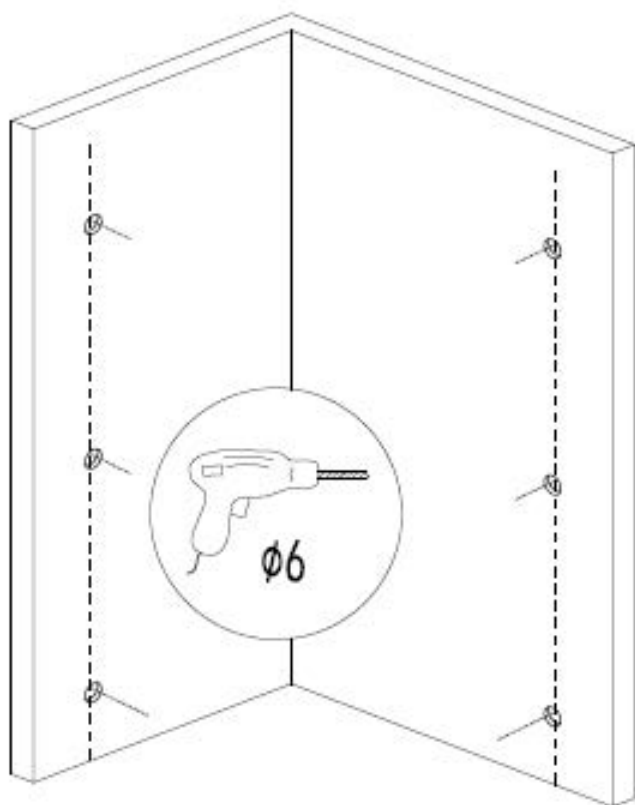
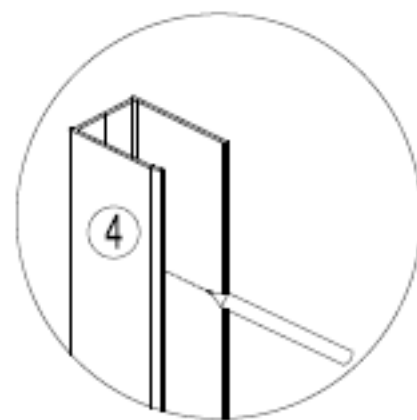
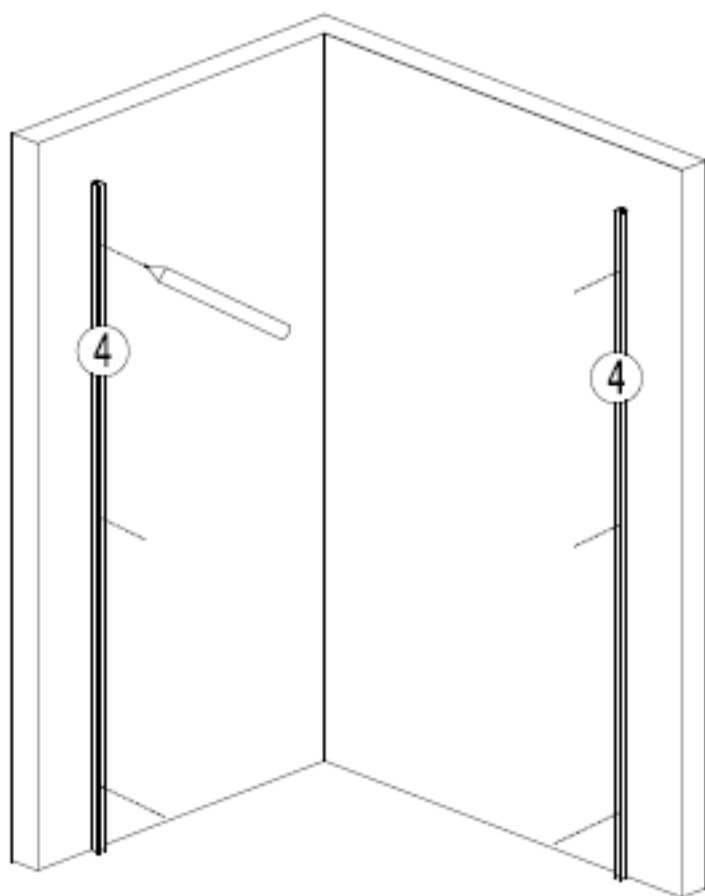


Ø2.8 Ø6

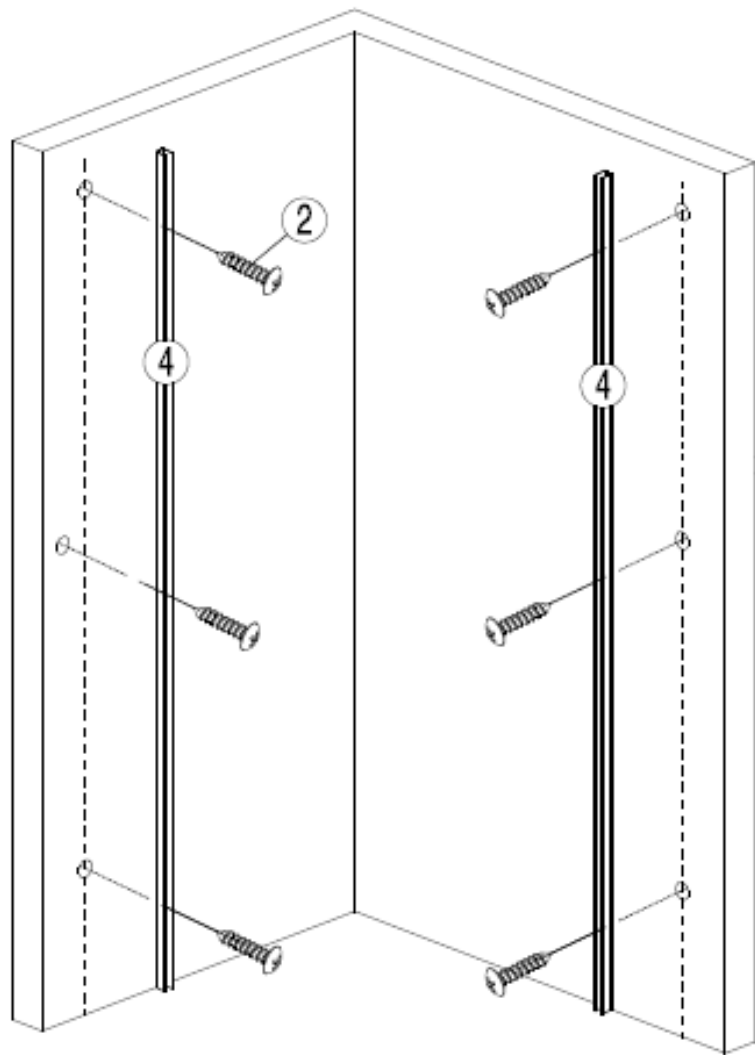
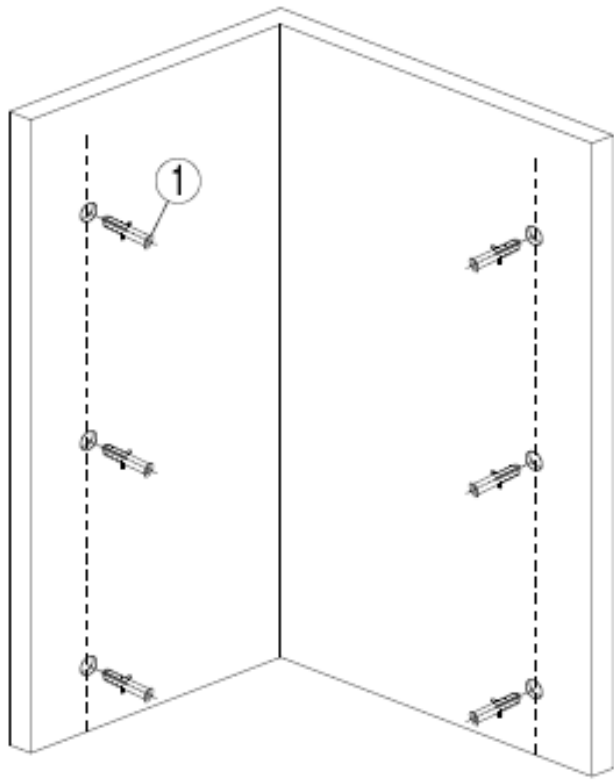


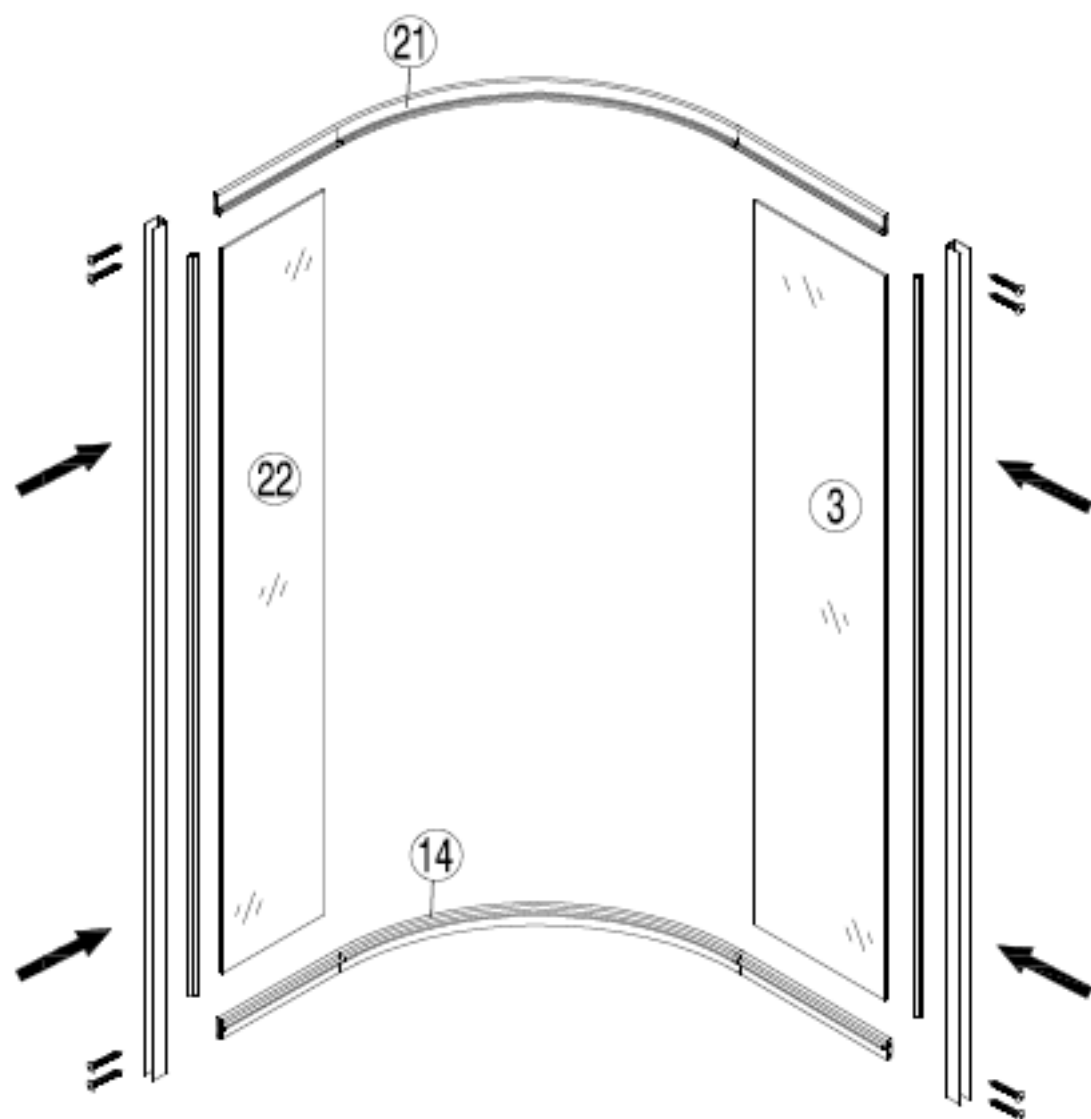
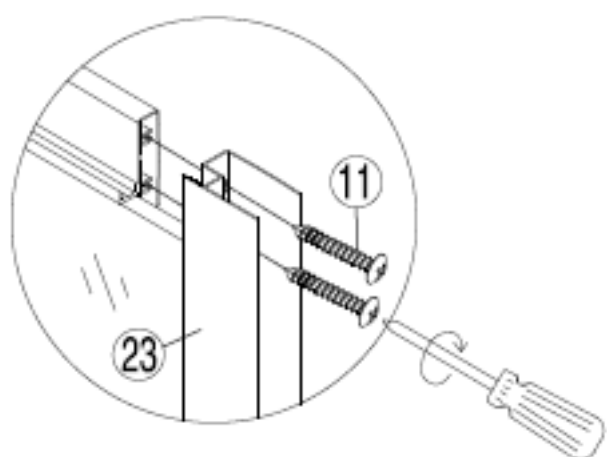
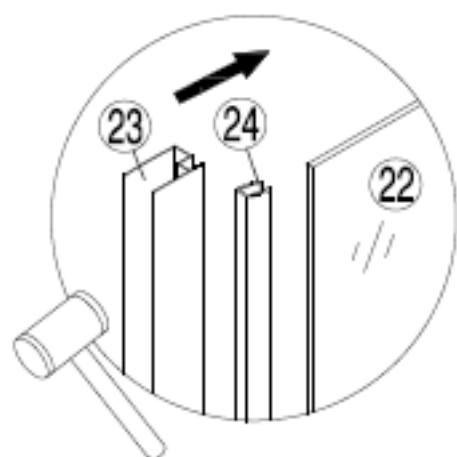


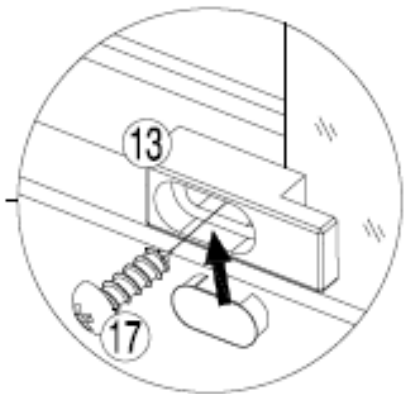
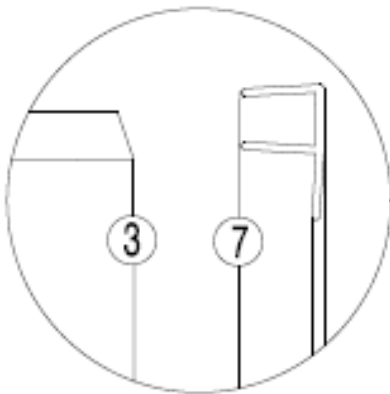
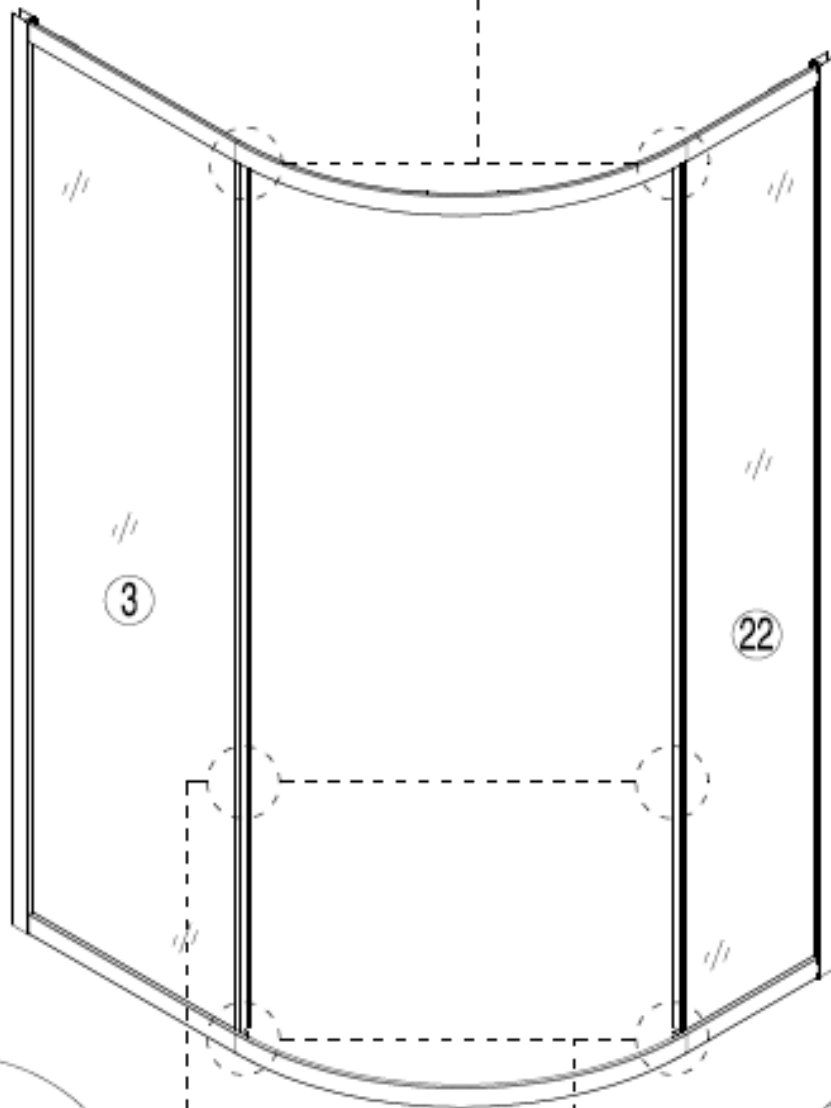
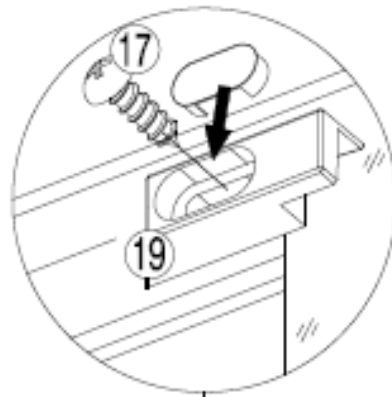
Installation

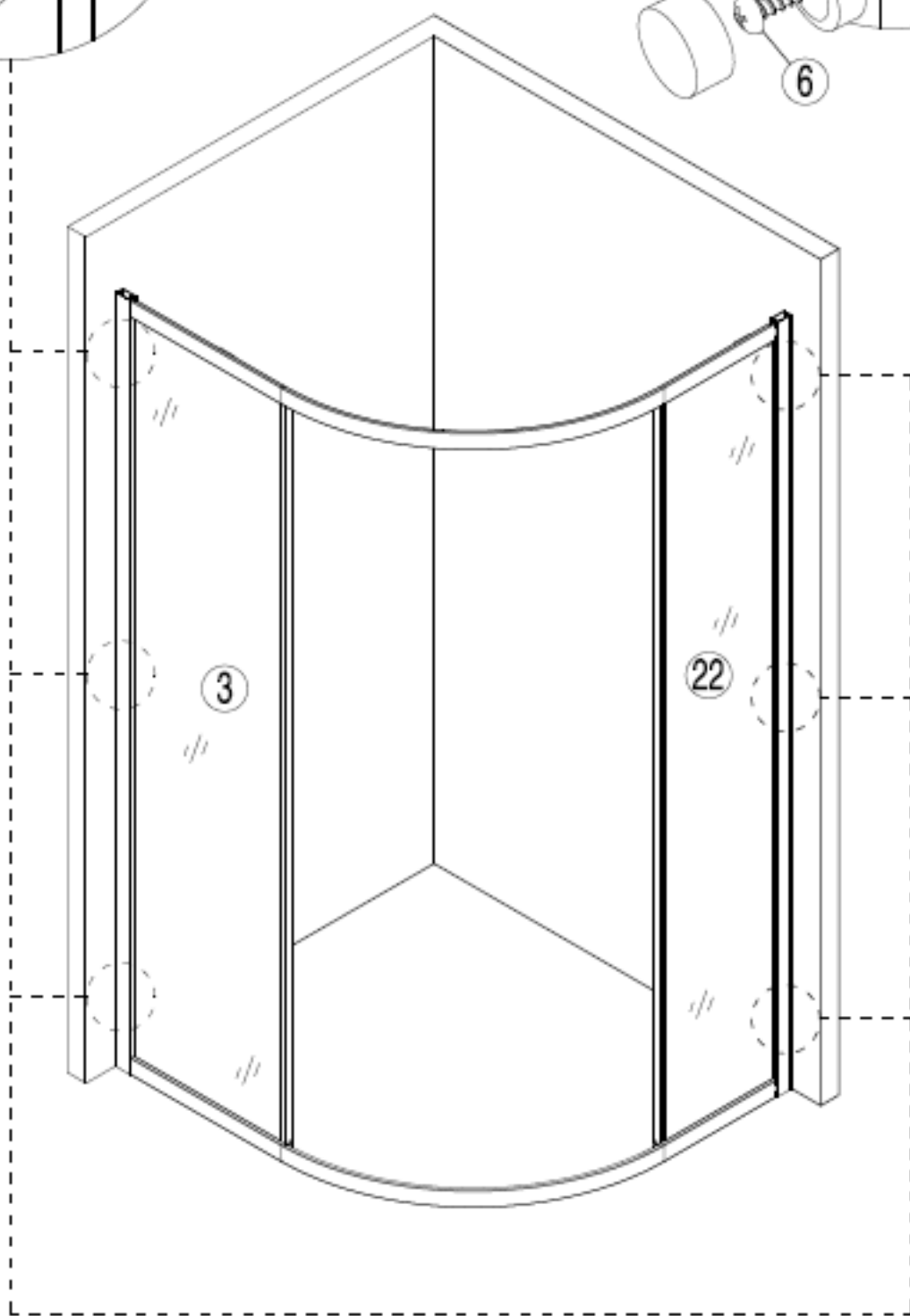
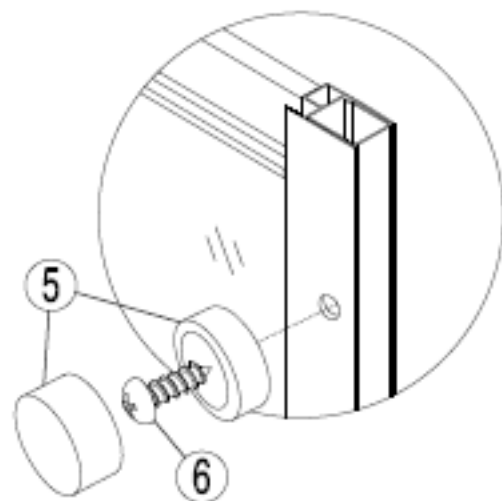
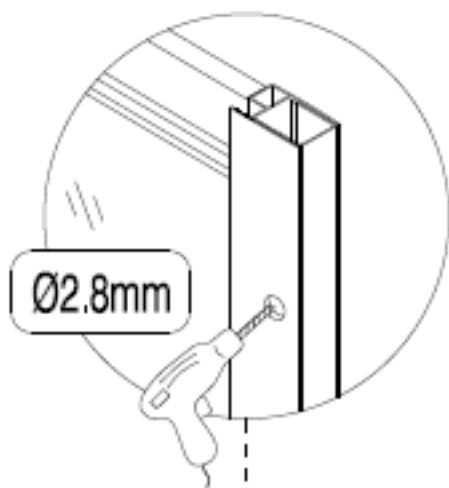


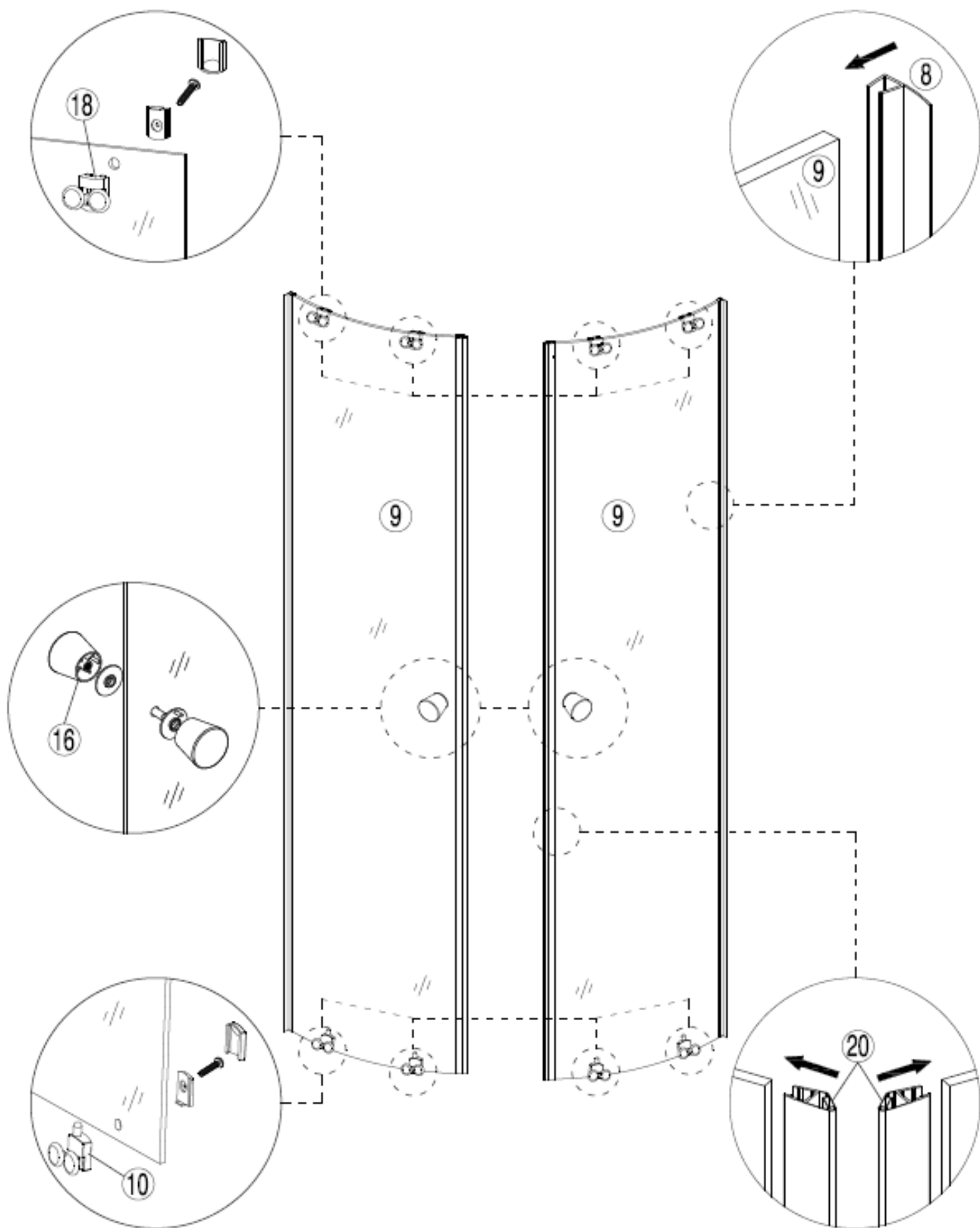
Size (mm)	A (mm)	B (mm)
1000*800	975-990	775-790
1200*800	1175-1190	775-790
1200*900	1175-1190	875-890

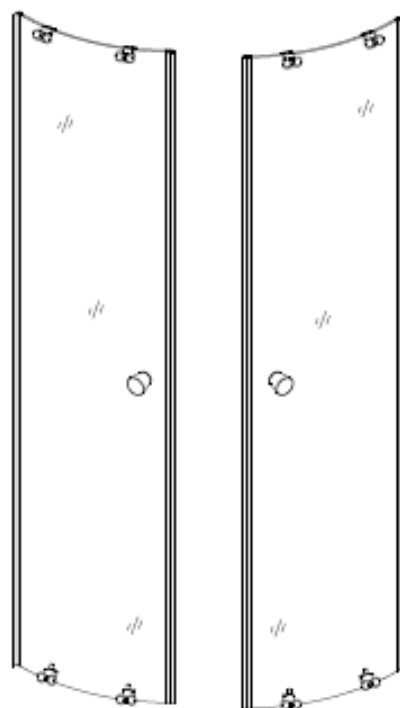
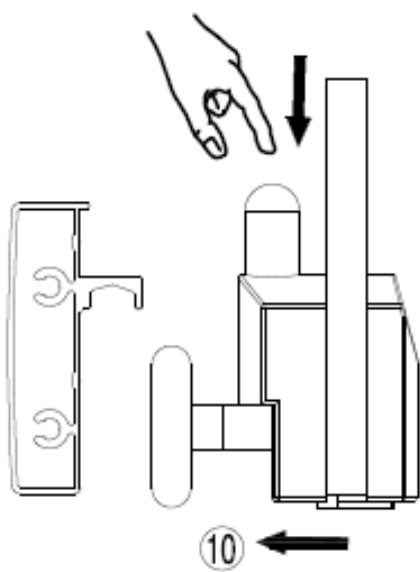
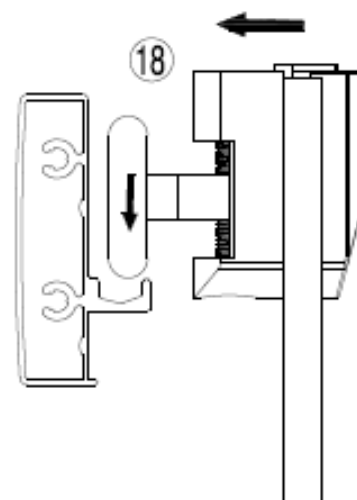
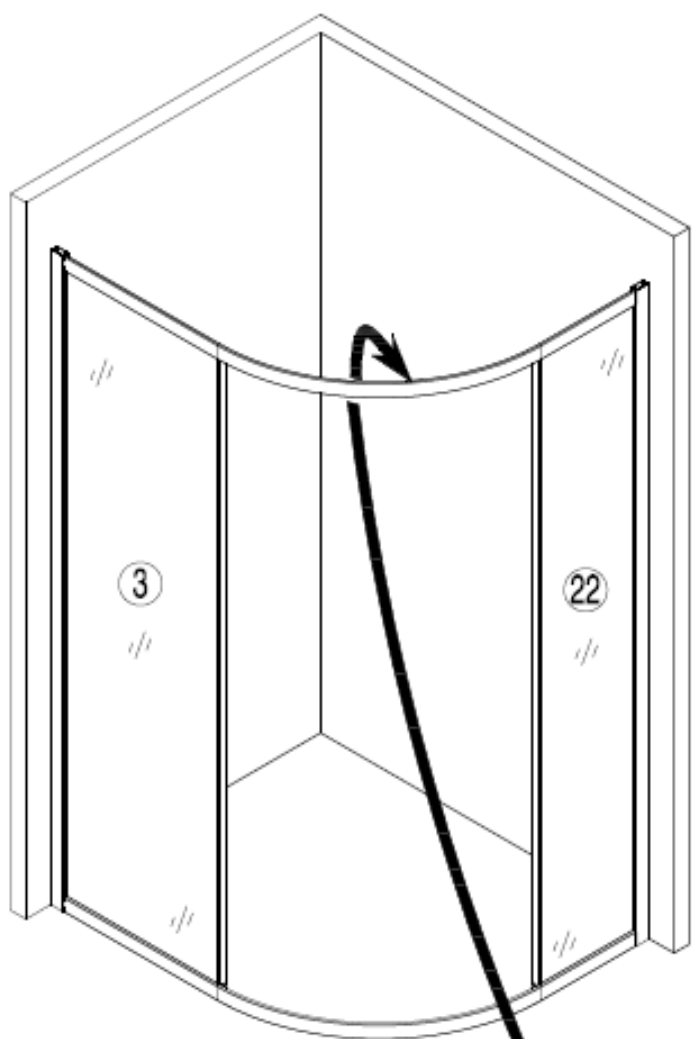


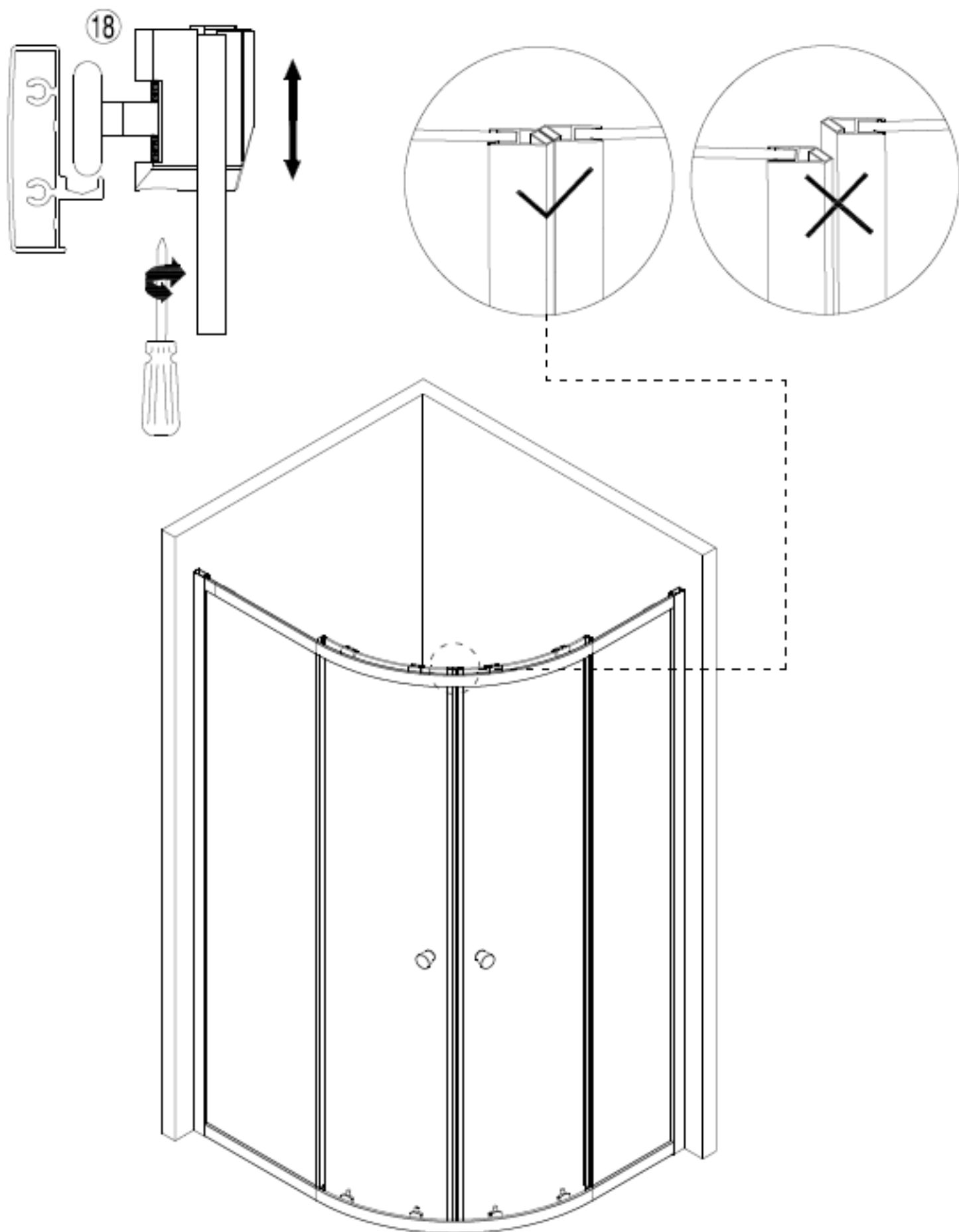


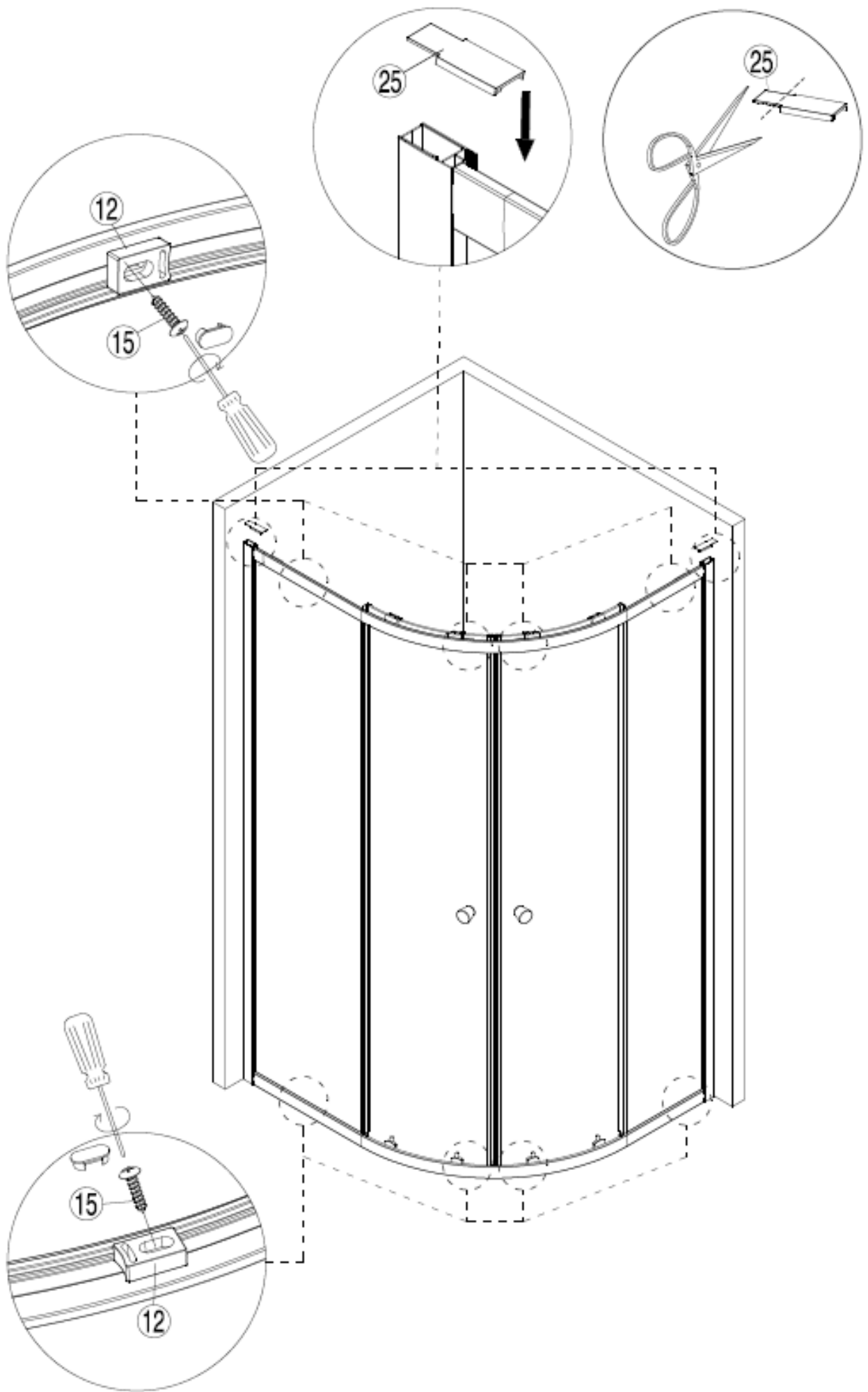


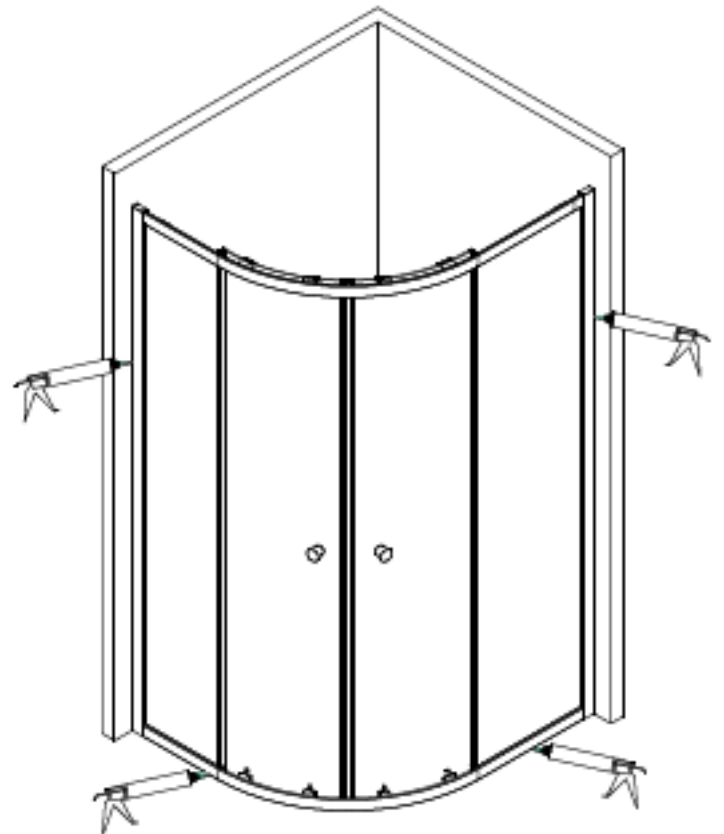
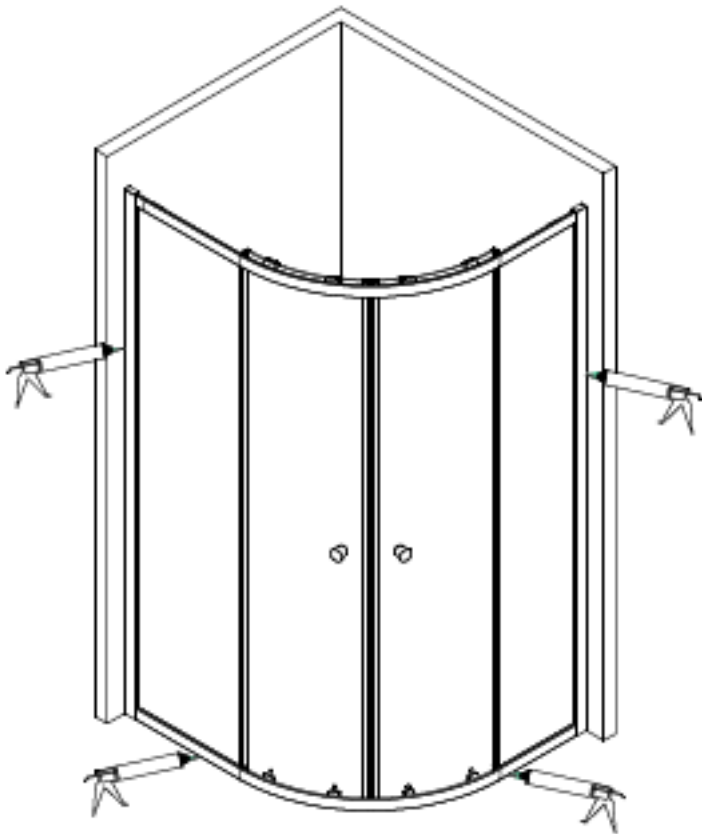












Warranty Information

- *To find the specific guarantee for your product please refer to the website.*
- *The guarantee starts from the date of purchase.*
- *The guarantee covers you against issues caused as a result of manufacturing related issues, it does not apply to issues that are found to be a result of poor installation.*
- *Labour costs for installation of the product are not covered under this warranty.*

Aftercare

Please clean with a soft dry cloth or chamois, do not use abrasive cleaners on the glass or metal fixings.

Recycling & Disposal

Please recycle / dispose of this product in accordance with your local council / government guidelines.

Contact Us

Milano
Unit 1&2
Burnley
BB11 5UB