

Notus-V Electric Radiator

Installation & Safety Information

Installation Guide

Contents

Intended use & Safety Information **Page 2**

General Information **Page 2**

Installation **Page - 3/4/5**

Electrical Connection **Page - 4**

Product Specifications **Page - 4**

Remote Controller & On board Panel **Page 4**

Your Guarantee **Page - 6**

Aftercare **Page - 6**

Recycling & Disposal - **Page 6**

Contact Us **Page - 6**

Intended Use & safety Information

Please read carefully...

This product is intended for use in domestic or commercial environments such as homes, shops, hotels etc.

This product is not intended for use in a corrosive or explosive atmosphere (dust, vapor or gas)

This appliance can be used by children aged from 8 years and above and persons with reduced physical, sensory or mental capabilities or lack of experience and knowledge if they have been given supervision or instruction concerning use of the appliance in a safe way and understand the hazards involved. Children shall not play with the appliance. Cleaning and user maintenance shall not be made by children without supervision.

Children ages from 3 years and less than 8 years shall only switch on/off the appliance provided it is placed or installed in its intended normal operating position and they have been given supervision or instruction concerning use of the appliance in a safe way and understand the hazards involved. Children aged from 3 years and less than 8 years shall not plug in, regulate and clean the appliance or perform user maintenance.

Children of less than 3 years should be kept away unless continuously supervised.

CAUTION: The surface of this product can become very hot and cause burns, please pay attention when children or vulnerable people are around the heater.

This product should be installed by a qualified installer in accordance with all applicable local regulations and connected to an electrical output in good condition.

Extension leads or plug adapters should not be used in order to supply power to this product.

WARNING: In order to avoid overheating, do not cover the heater.

The supply cord cannot be replaced. If the cord is damaged the appliance should be removed and disposed of.

This product can only be installed outside zones 1 and 2 when installing in a bathroom.

WARNING: The product is not equipped with a device to control the temperature. Do not use this heater in small rooms when they are occupied by persons not capable of leaving the room on their own, only use the device if those individuals are under constant supervision. To ensure the safety of very small children, install the product so the lowest tube is at least 600 mm above the floor.

General Information

Do not throw away packaging until you have located and confirmed that you have all included parts and the product is in good condition.

Check the device for damage before installation and on a regular basis.

If any damage is found on the appliance or power cord it should not be used, if any damage is caused once installed or during installation the device should be switched off and disconnected immediately.

Keep the power cord away from any hot surfaces of the radiator.

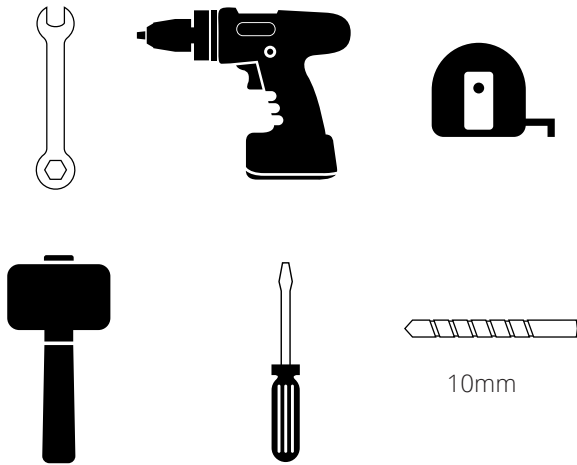
This radiator has no serviceable parts, never dismantle the radiator as this will invalidate the warranty and could lead to injury.



Please read the full manual before installing.

Installation

Tools required for installing:



Components Supplied:

A		RIGHT BRACKET	x2
A		LEFT BRACKET	x2
B		5.5 x 45 SCREWS	x8
C		WALL PLUGS	x8
D		REMOTE CONTROLLER	x1

Installation Safety Information

If in any doubt contact a qualified or fully competent person.

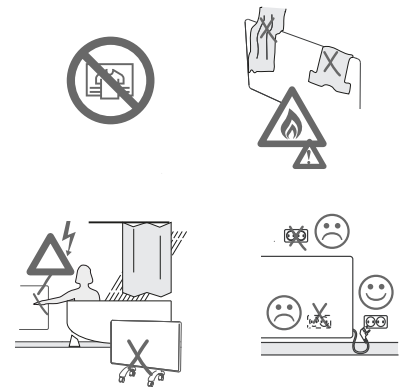
The product should only be plugged into a power outlet in good condition.

Please pay attention to the safety zones if installing in a bathroom.

This product must not be located immediately below or over a socket outlet.

This product is for indoor use only.

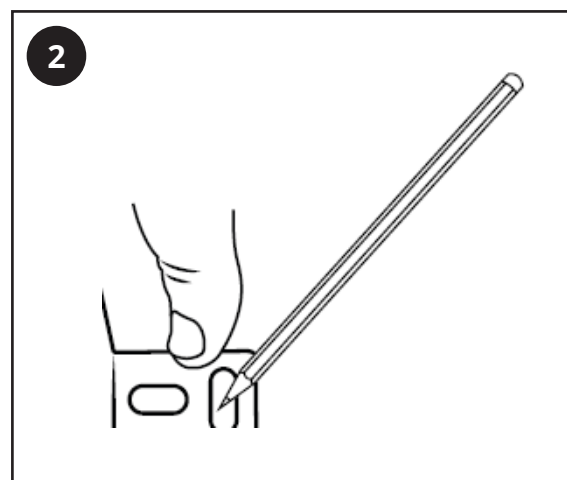
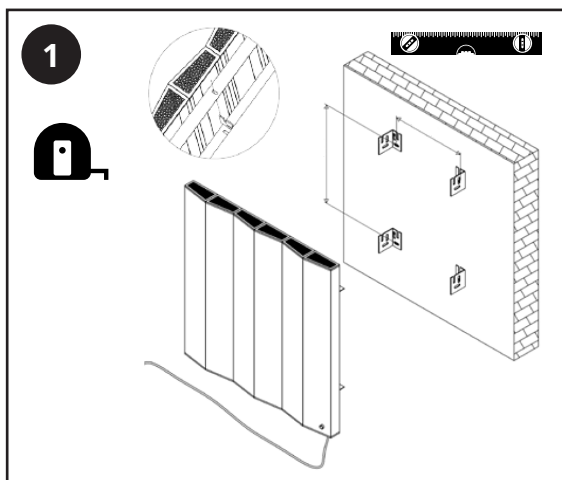
Do not cover.

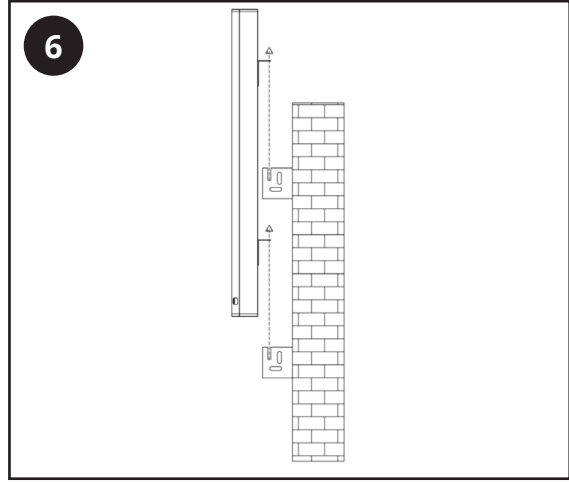
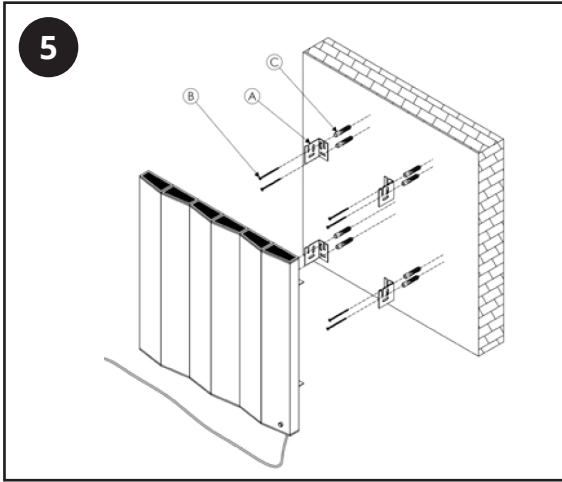
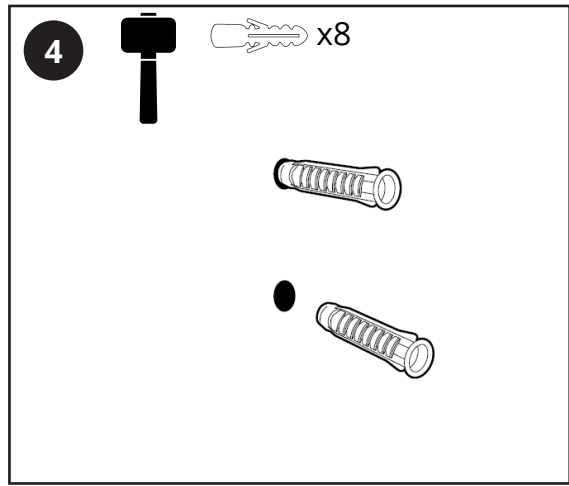
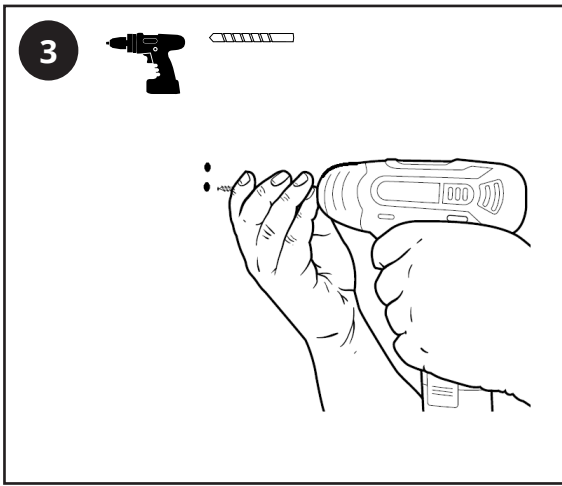


Installation

Your Radiator is supplied with L shaped brackets (left & right) and must be aligned to the hanger holes and spots should be marked on the wall.

Actual product dimensions will vary, therefore rear holes should be used as reference to detect the distance of the brackets.



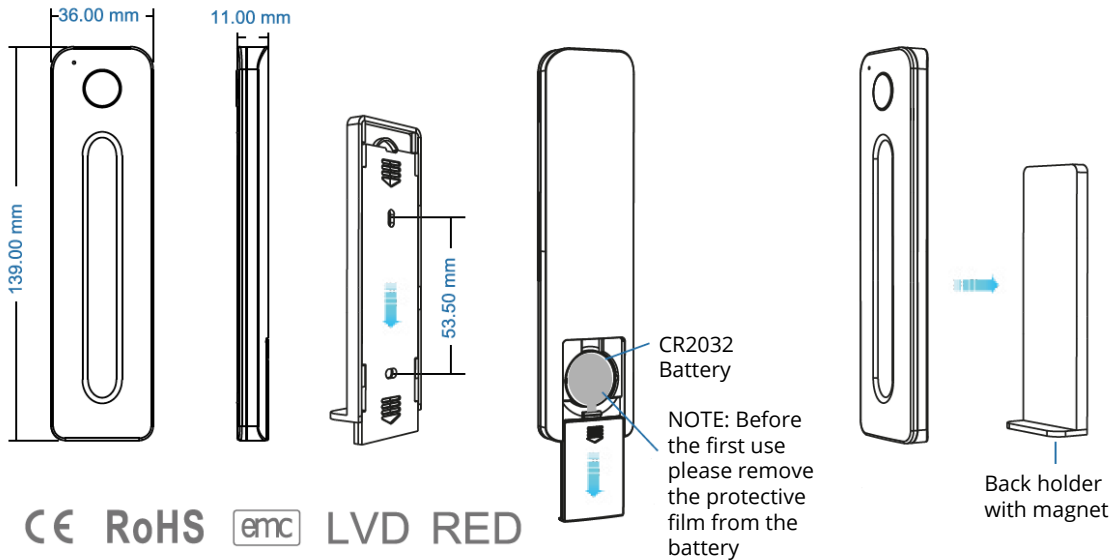


Product Specification

Item Number	H	W	Wattage	Input Voltage	Warranty	IP Rating	Insulation Class	Fitted Cable
DRANTVB1800400E	1800	400	1200W	220V-240V ~50Hz	2 Year	IP20	Class 1	1.5 Meter
DRANTVB600600E	600	600	900W	220V-240V ~50Hz	2 Year	IP20	Class 1	1.5 Meter
DRANTVB6001000E	600	1000	1500W	220V-240V ~50Hz	2 Year	IP20	Class 1	1.5 Meter
DRANTVB6001400E	600	1400	2100W	220V-240V ~50Hz	2 Year	IP20	Class 1	1.5 Meter

Remote Controller & On board Panel

The ultra sleek, touch slide sensitive remote controller commands signal up to 30m. The CR2032 Battery Housing sports a magnetic door grip. A remote controller manual comes included inside the box, please make sure to read the instructions before using.



CE RoHS emc LVD RED

Once connected to power supply the heater will alert with two long BEEPS accompanied by the LED flashing twice, this signals the radiator is in sleep Mode. Press ON/OFF button to turn on. Your heater will signal three short BEEPS accompanied by the LED light at the bottom right side of the device. The LEDs should keep glowing showing the level it's currently set at. Your heater is designed to operate at four preset levels. By sliding your finger up and down the remote control you can gradually control the setting. The LED will glow stronger with every increase of level and dimmer as reduced. The device will alert with a beep at every gradual alteration. To shut off the heater ON/OFF should be pressed, the heater should alert with two long BEEPS and two flashes of the LED.



**Do not
cover
Risk of overheating**



Consult
Instructions
For Use

Fault Detection & Trouble Shooting

- Make sure the heater is connected to power supply.
- Ensure the the heater is turned on and the LED is glowing.
- Check if the desired heat level is higher than room temperature.
- If the heater repetitively BEEPS and flashes for 5 seconds it is in Malfunction Mode.
- If the problem persists consult technical assistance.

Your Guarantee

This product is covered by a 2 year guarantee.

The guarantee starts from the date of purchase.

The guarantee covers you against issues caused as a result of manufacturing related issues, it does not apply to issues that are found to be a result of poor installation.

Labour costs for for installation of the products are not covered under this warranty.

Aftercare

Clean any marks with a soft, dry or damp cloth, for stubborn stains please clean with mild soapy water and dry with a soft cloth. DO NOT use abrasive or acidic cleaners.

If you are unsure, please contact us first.

Recycling and Disposal

Please recycle the packaging in accordance with your local government regulations on waste handling and follow the same advice at the end of the products life.

This appliance is subject to Directive 2002/96/EC Waste Electrical and Electronic Equipment (WEEE).

Do not discard directly in your domestic waste, this product must be treated in a recycling facility or local center when to be discarded.

Appliance should be discarded separately to prevent negative effects on the environment and sanitation.

Main components can be recycled for energy and conservation of resources.

Product - Aluminium.

Packaging - Cardboard, plastic.

Contact us

Unit 1 & 2 Dawson Ct

Burnley

Lancashire

BB11 5UB