

Milano

Middle Connection Radiator Valve

Installation Guide

Contents

Safety Information **Page - 2**

Installation **Page - 2**

Warranty Information **Page - 4**

Recycling & Disposal **Page - 4**

Contact us **Page - 4**

Safety Information

Please read carefully...

- ✓ Inspect the product for damage before installing.
- ✗ **DO NOT** attempt to modify this product in any way.
- ✓ This product will only fit to radiators with fixing points spaced apart with 50mm centers.
- ✓ If you are unsure how to install this product, please consult a qualified installer or contact us directly.

Installation

Parts needed:

Middle connection radiator valve with 50mm centers

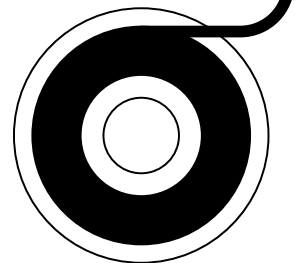
Tools required for installing:

1. Allen key or Ratchet (12mm)
2. PTFE Tape
3. Spanner (31mm)

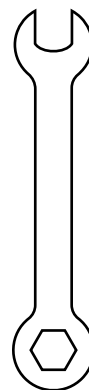
1

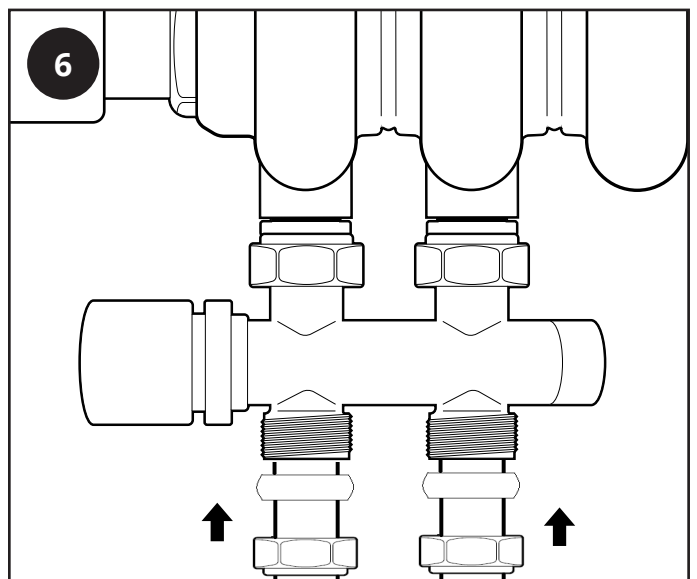
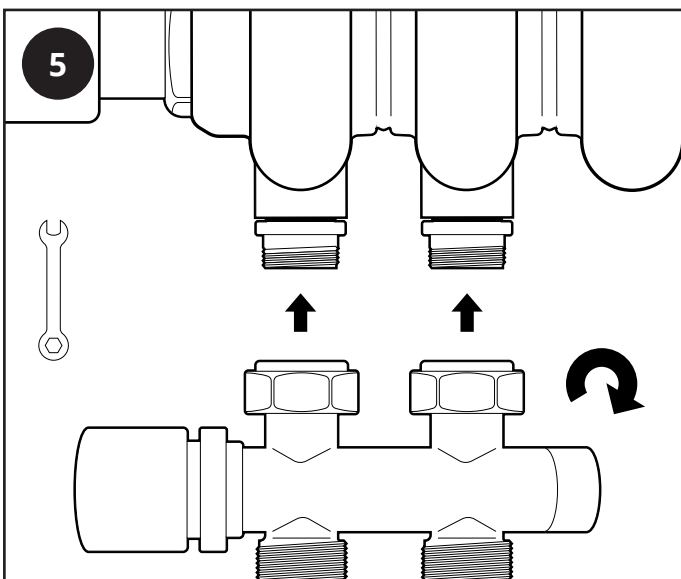
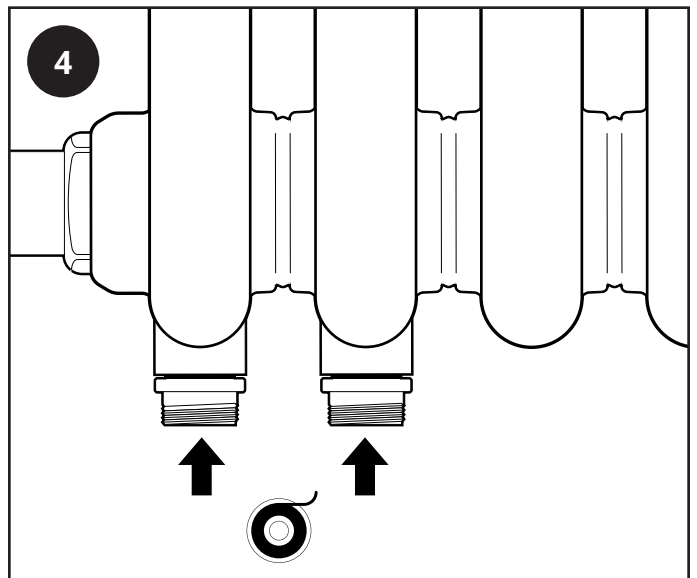
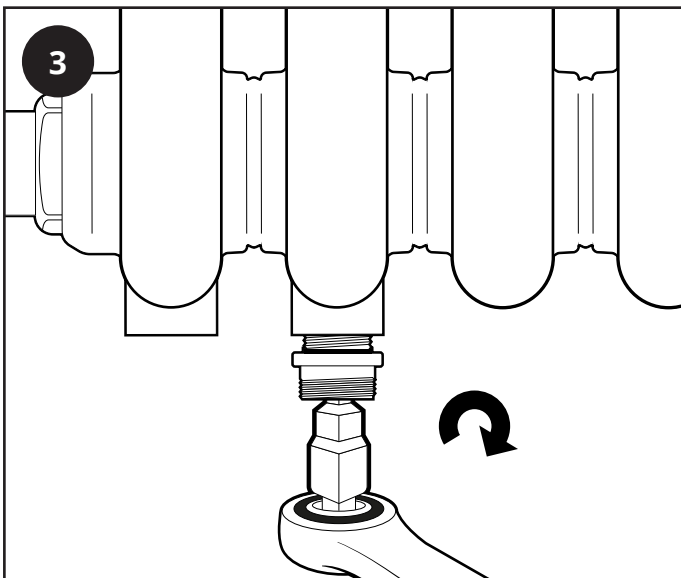
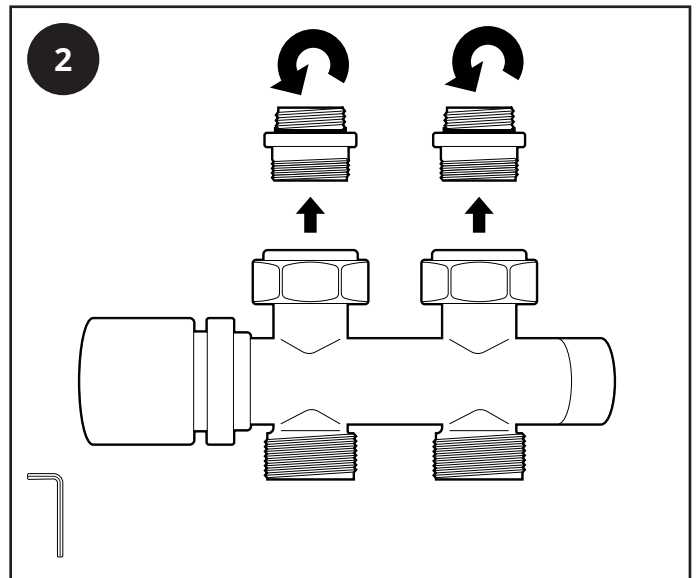
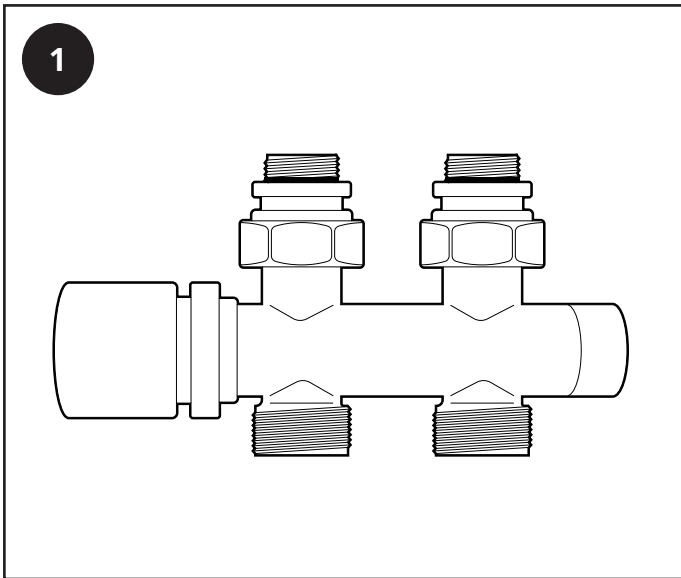


2



3





Warranty Information

- *To find the specific guarantee for your product please refer to the website.*
- *The guarantee starts from the date of purchase.*
- *The guarantee covers you against issues caused as a result of manufacturing related issues, it does not apply to issues that are found to be a result of poor installation.*
- *Labour costs for installation of the product are not covered under this warranty.*

Aftercare

Clean any marks with a soft dry cloth, for stubborn stains please clean with mild soapy water and buff out with a soft cloth.

DO NOT use abrasive or acidic cleaners, if you are unsure, please contact us first.

Recycling & Disposal

Please recycle / dispose of this product in accordance with your local council / government guidelines.

Contact Us

MILANO LTD

Unit 1&2

Burnley

BB11 5UG