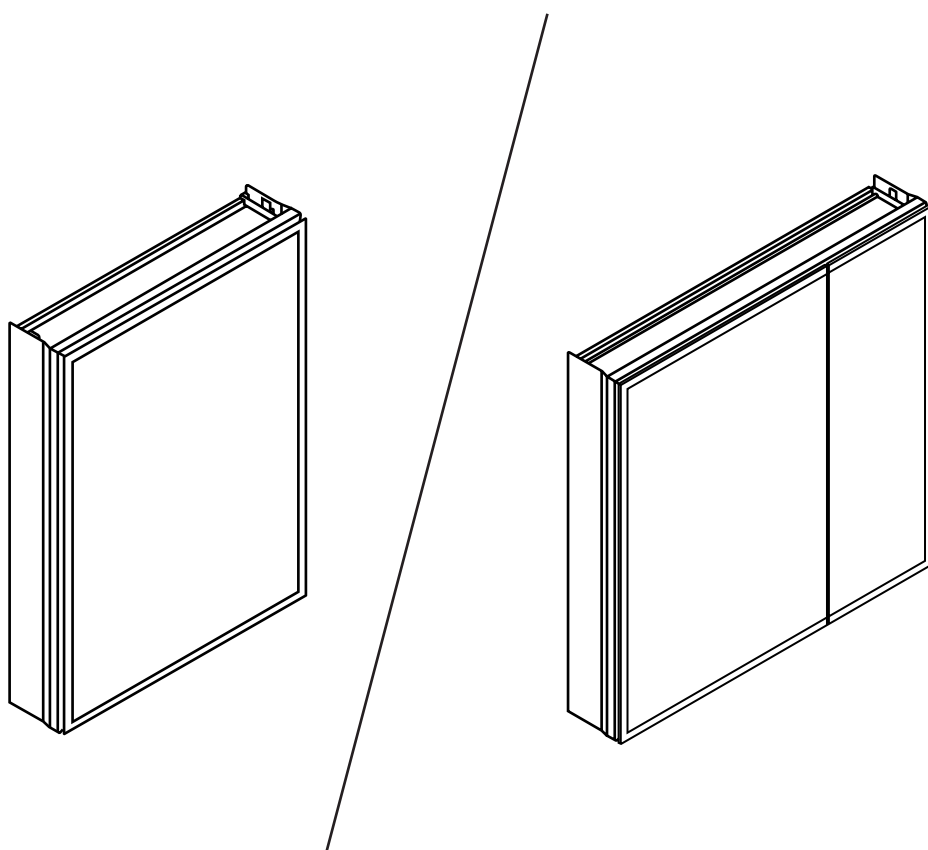


Milano

Mirrored Cabinet



Installation Guide

Installation



INSTALLATION

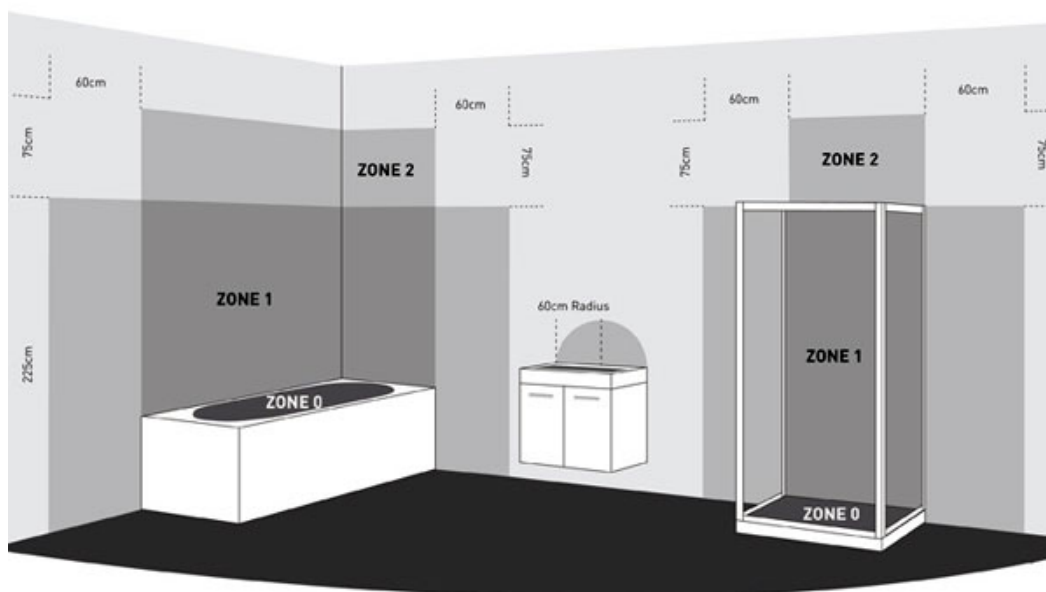
We strongly recommend that all electrical work is carried out by a qualified electrician. It is recommended that this product is installed by two people. Ensure the domestic electrical mains supply to which the mirror being connected is turned off. Connect the domestic mains supply to the terminal box according to the wiring diagram below.

ELECTRICAL INFORMATION

All installations must comply with guidelines which are based on a zonal concept and must be followed to ensure the safe installation of electrical appliances in the bathroom.

These regulations apply to domestic installations only. Installations must be made in accordance with the current IEE wiring regulations and relevant building regulations.

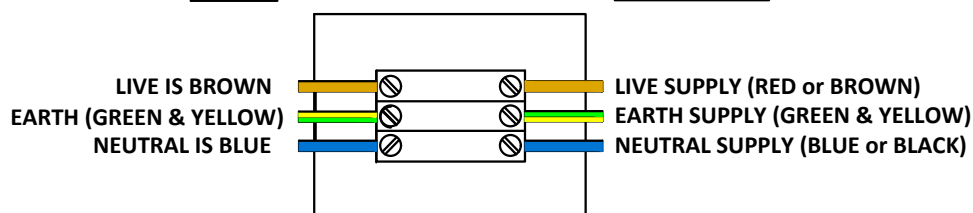
This product is IP44 rated and is suitable for installation in ZONE 2 and Outside Zone



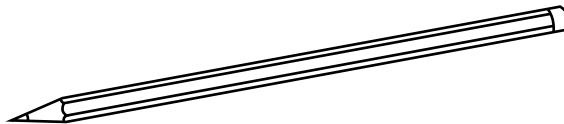
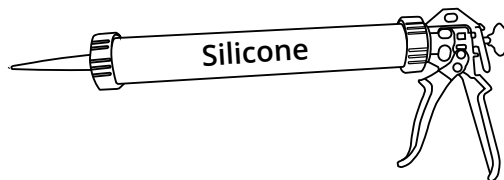
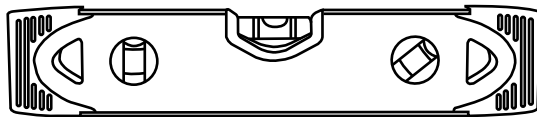
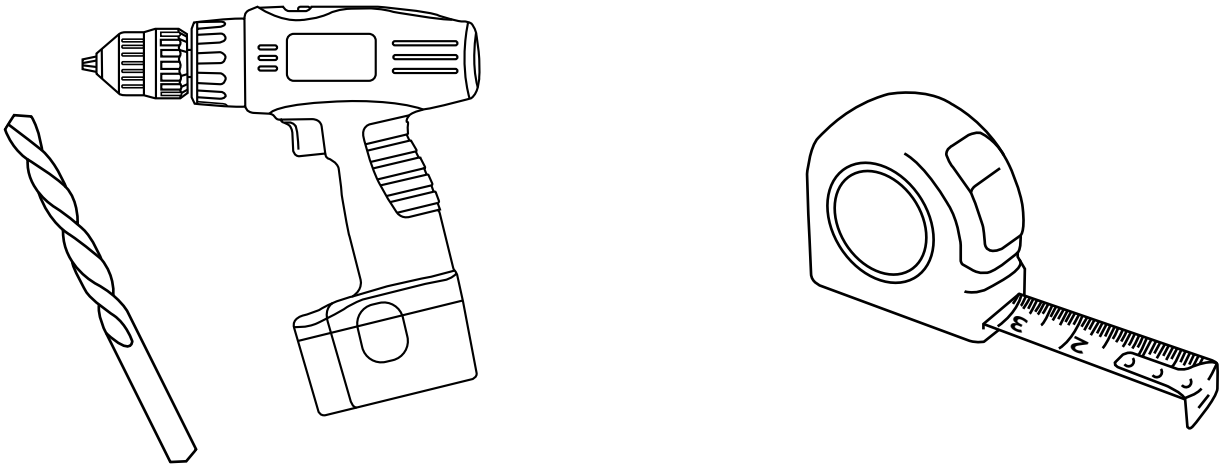
WIRING DIAGRAM

MIRROR

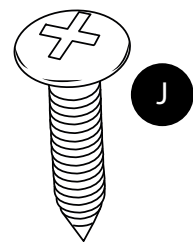
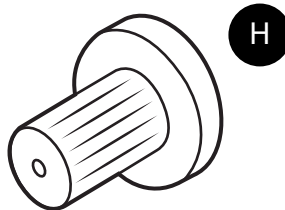
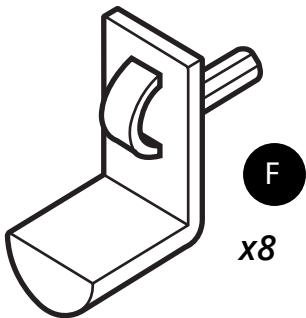
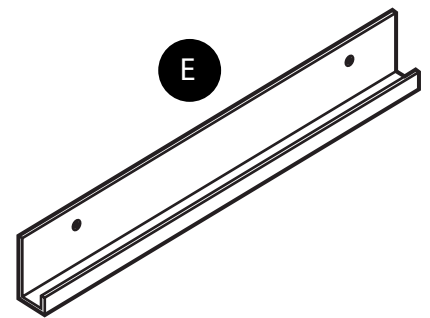
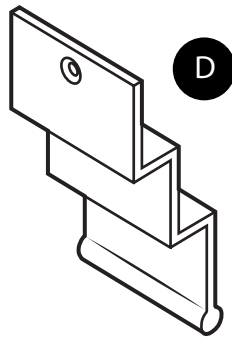
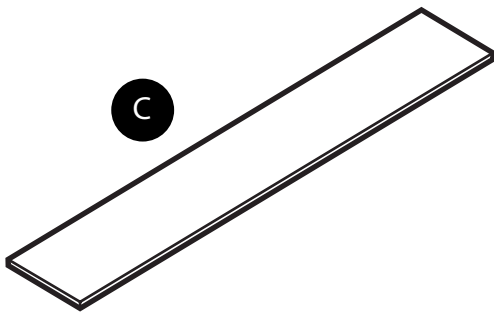
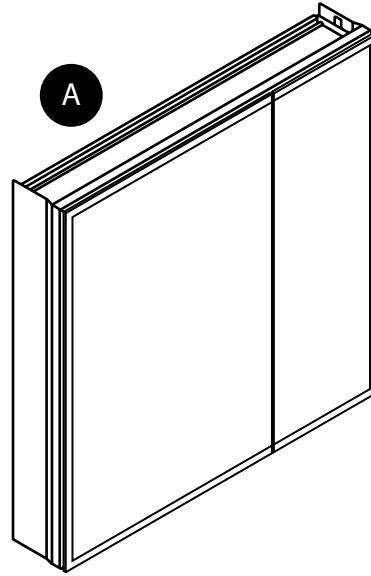
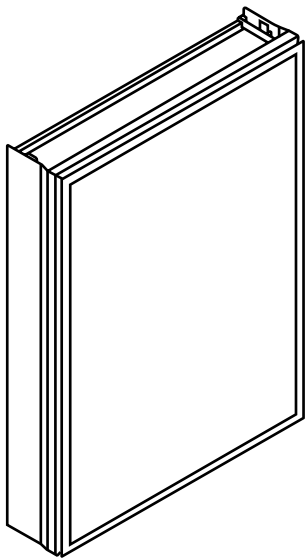
MAINS SUPPLY



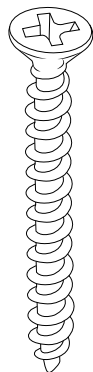
Tools required for installing:

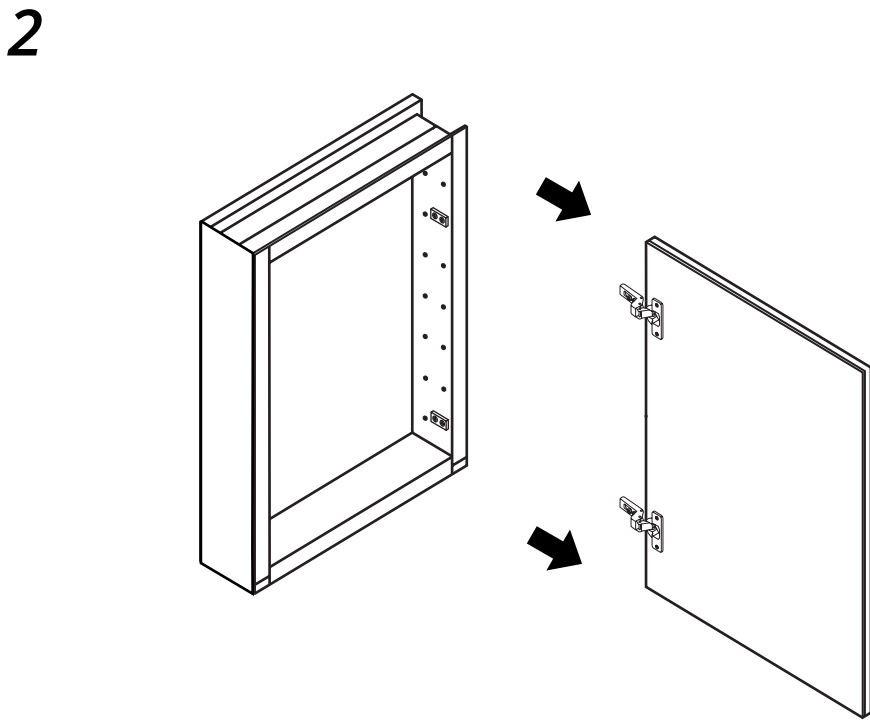
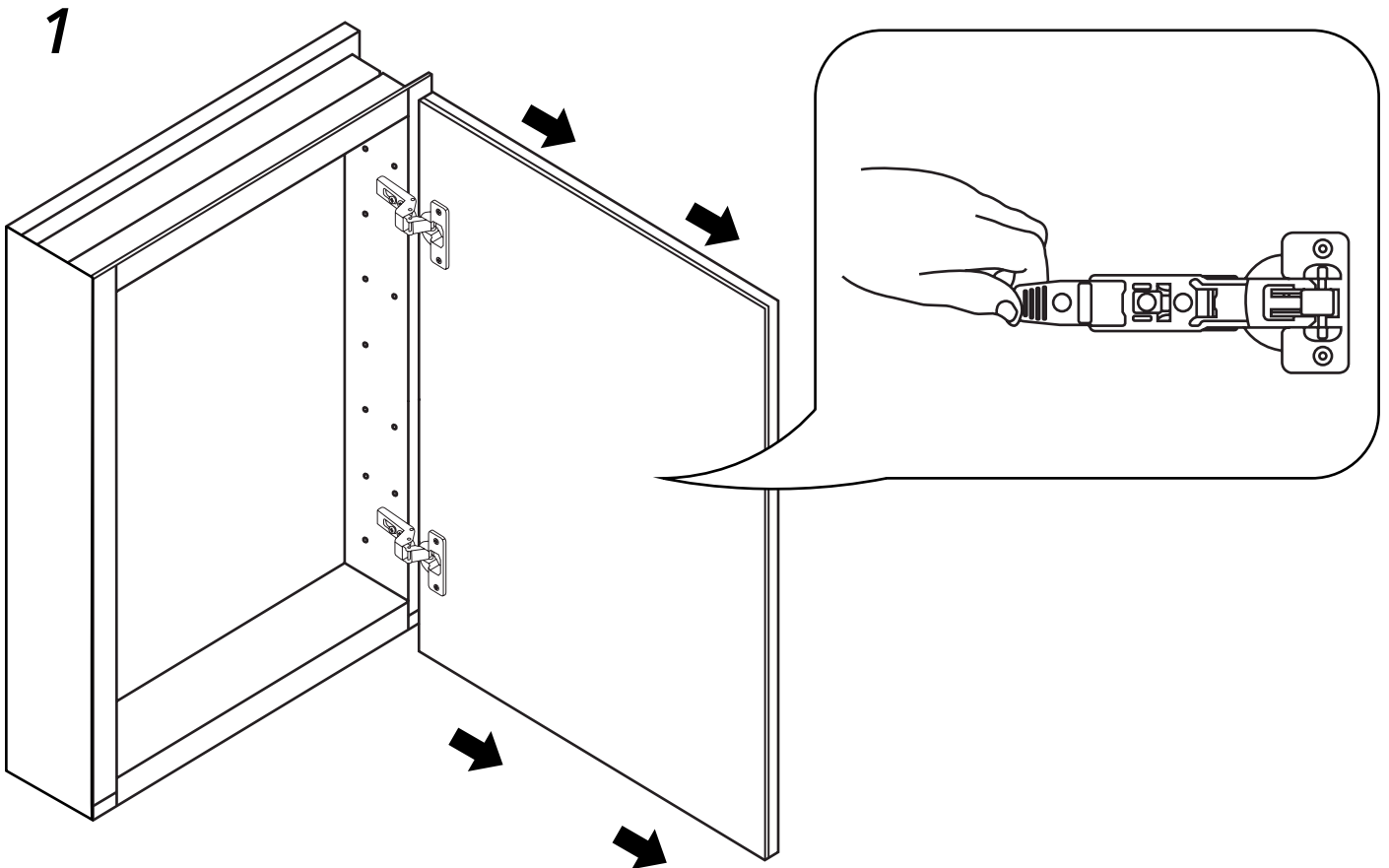


Parts included:



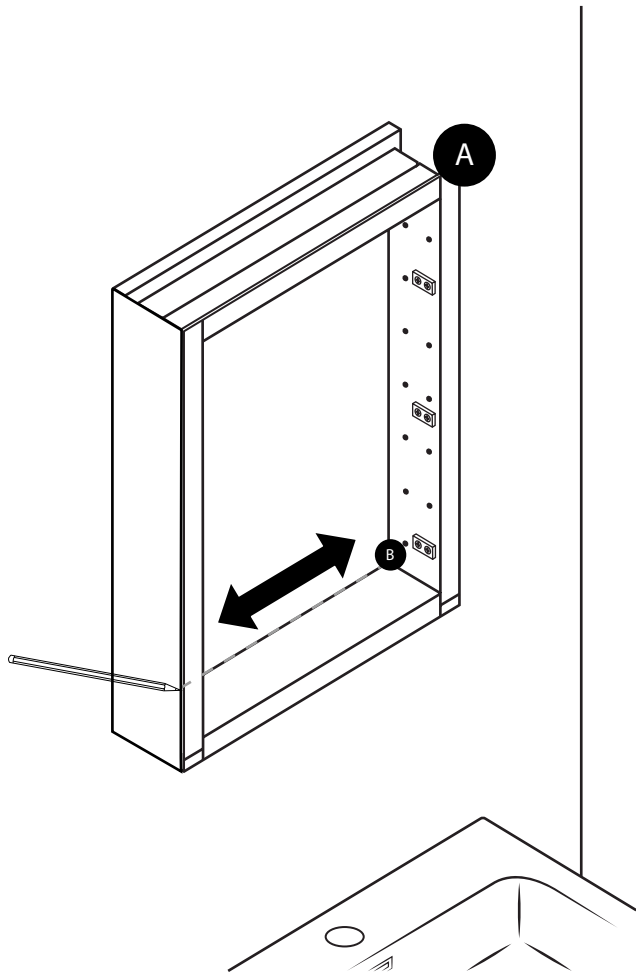
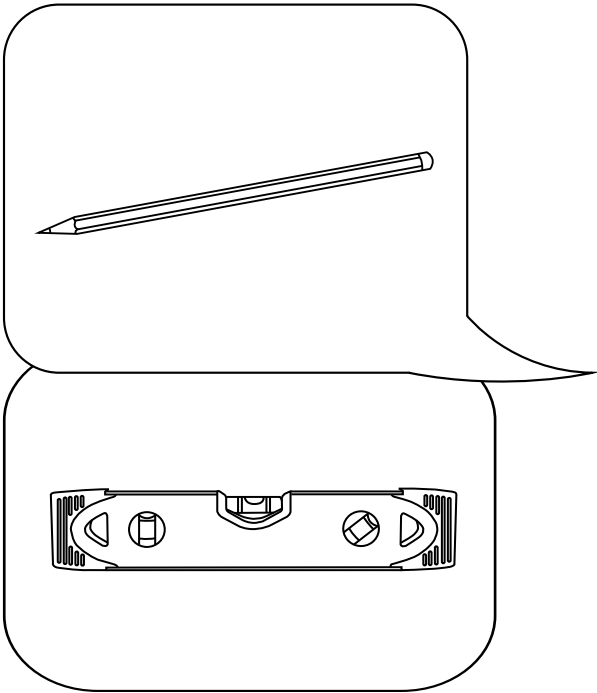
Not included



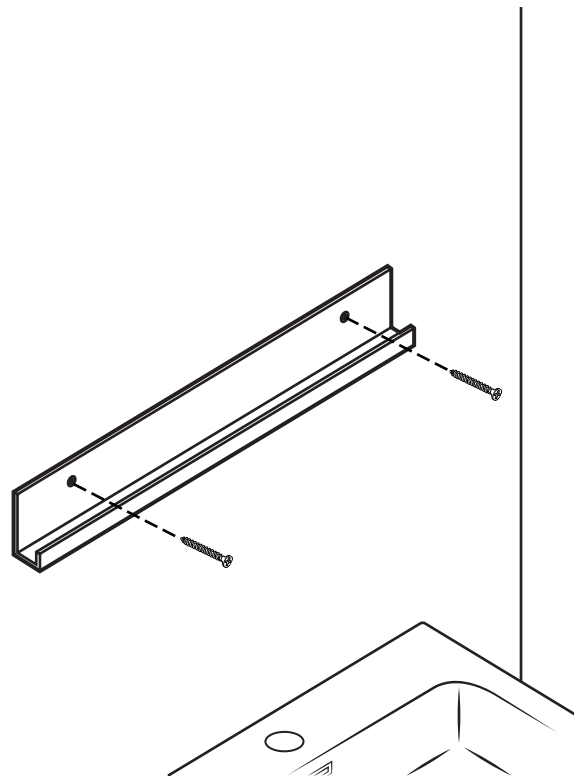
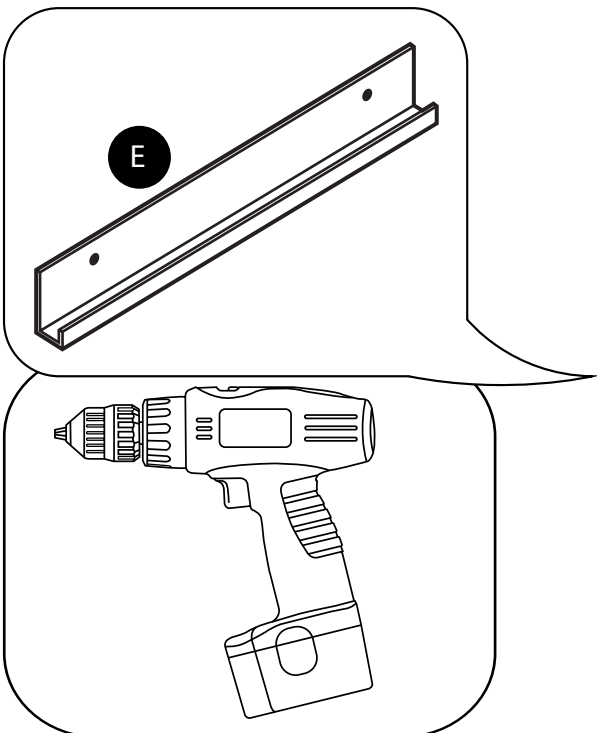


Surface-Mount Installation:

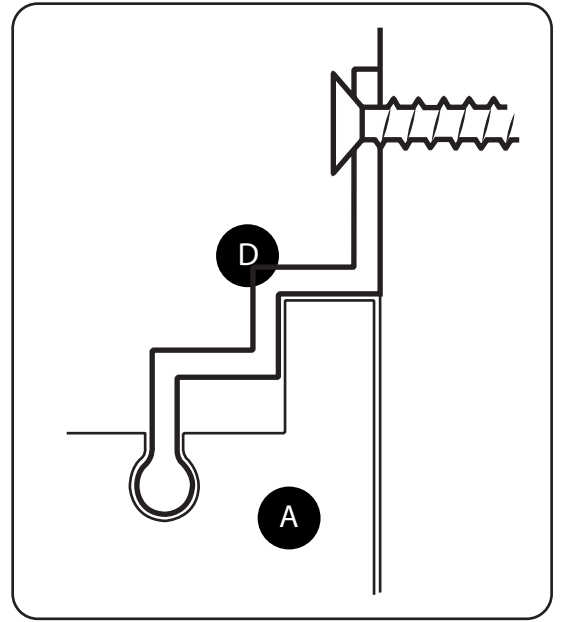
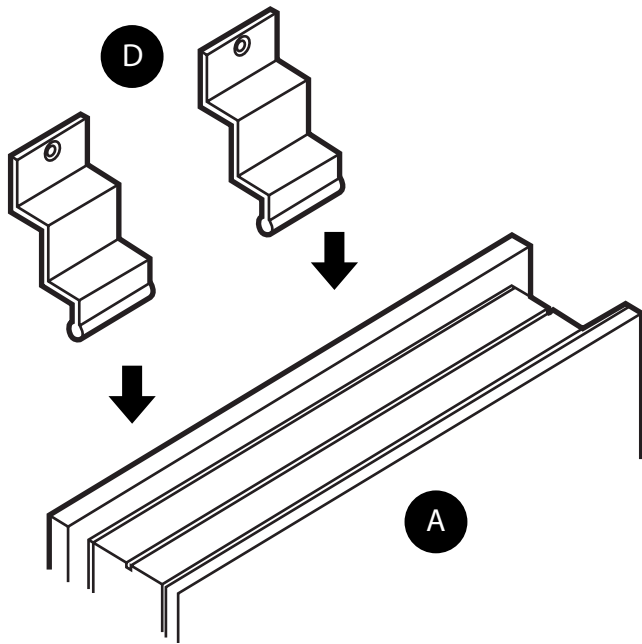
1



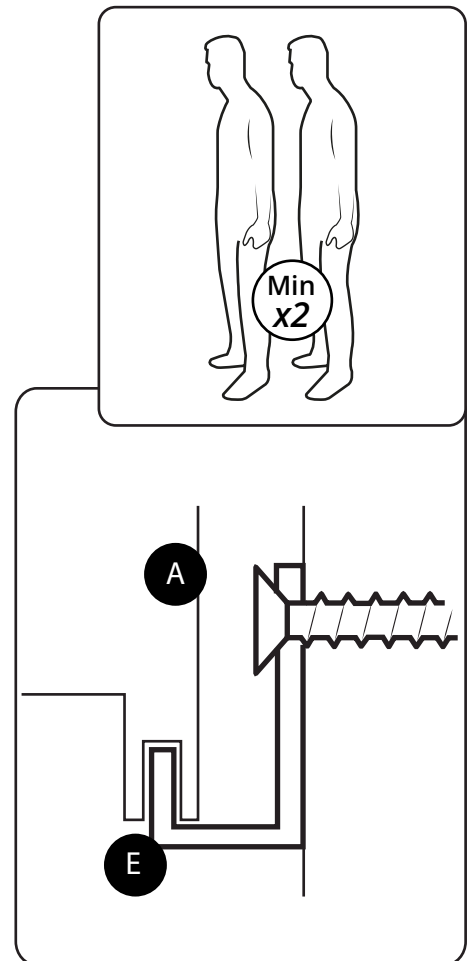
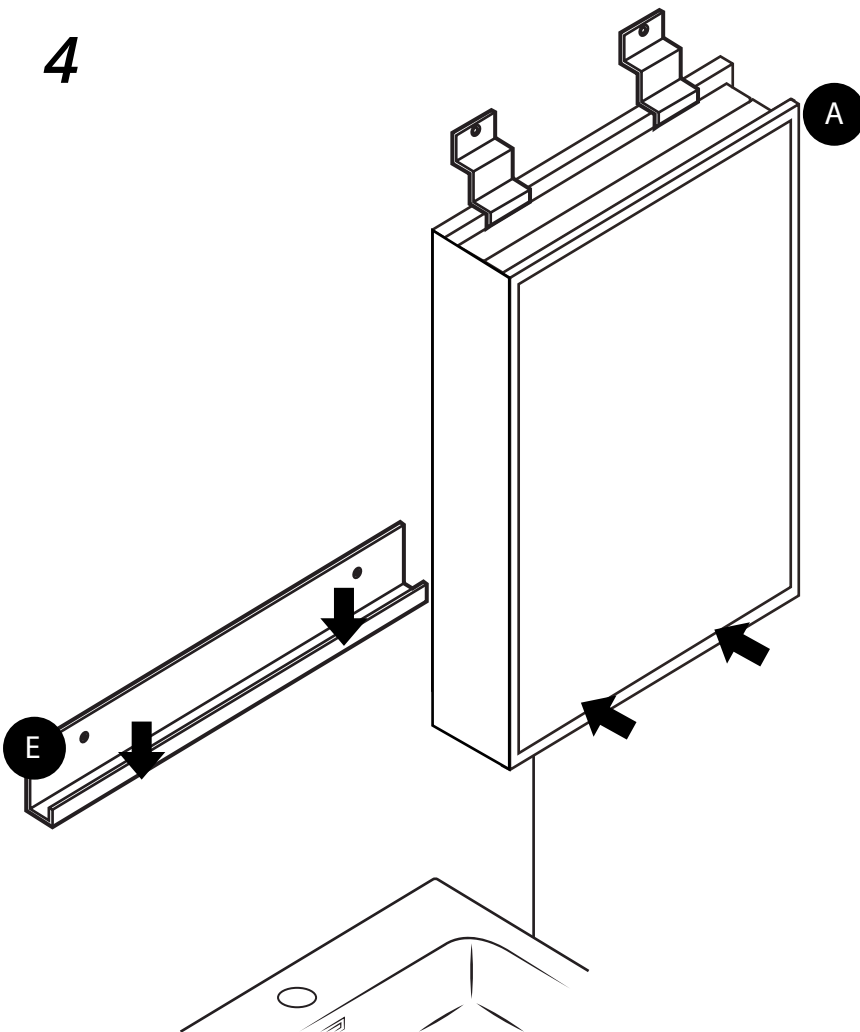
2



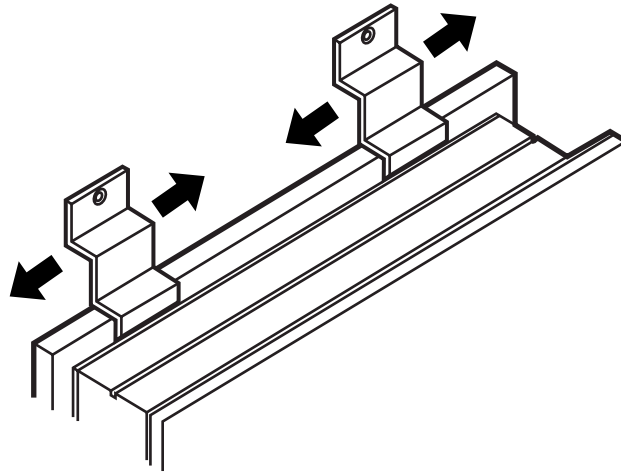
3



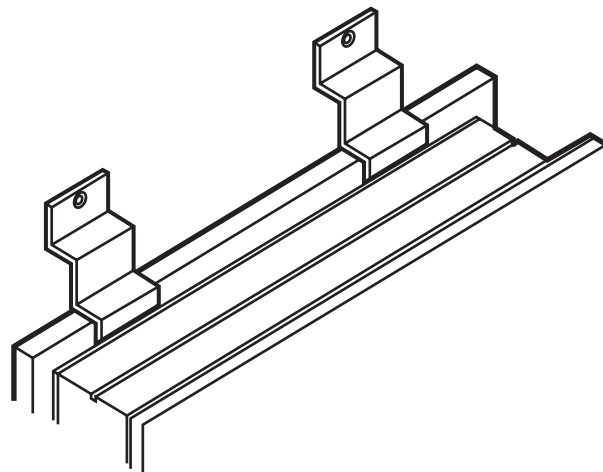
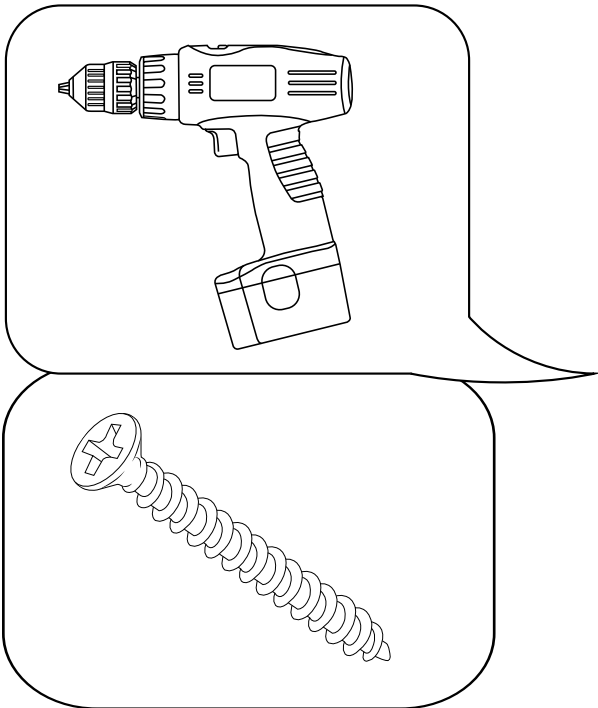
4



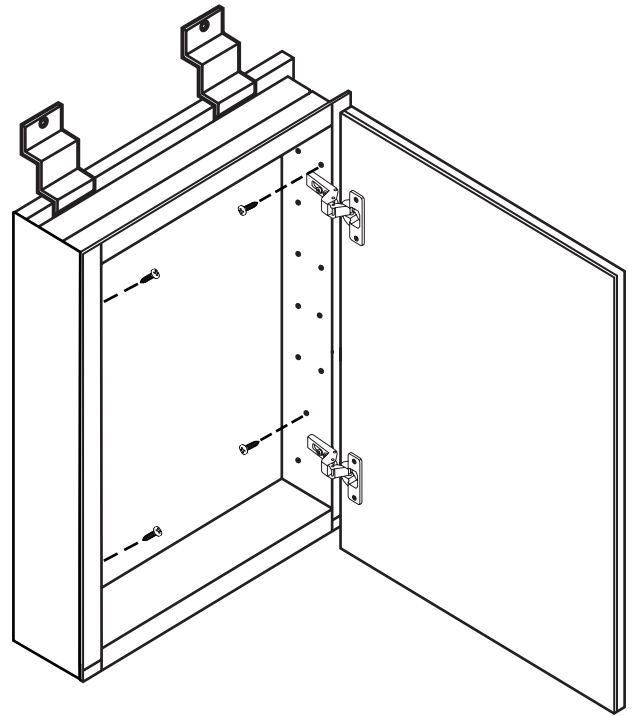
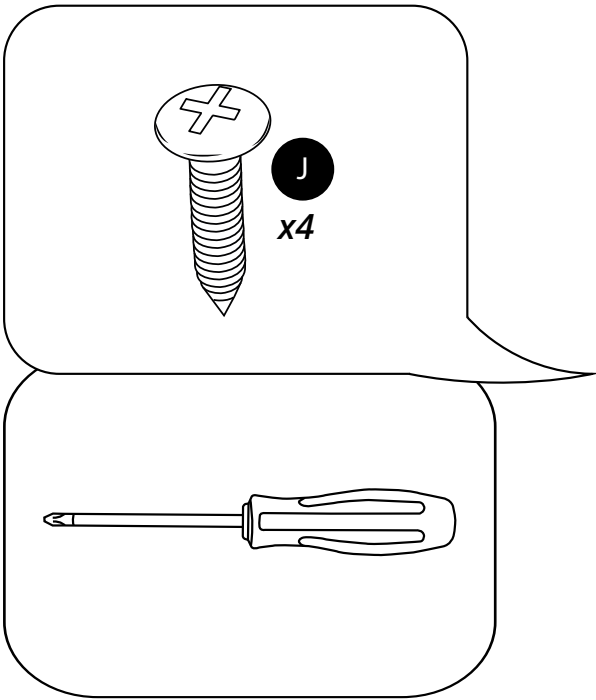
5



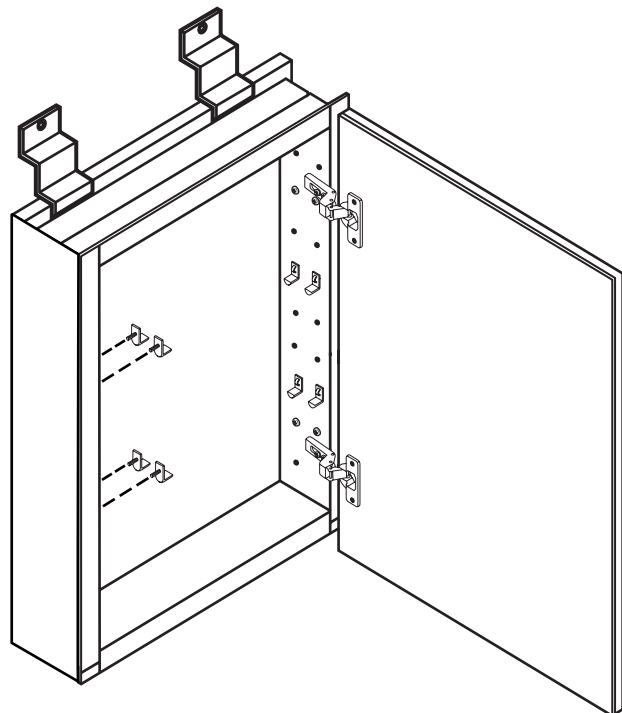
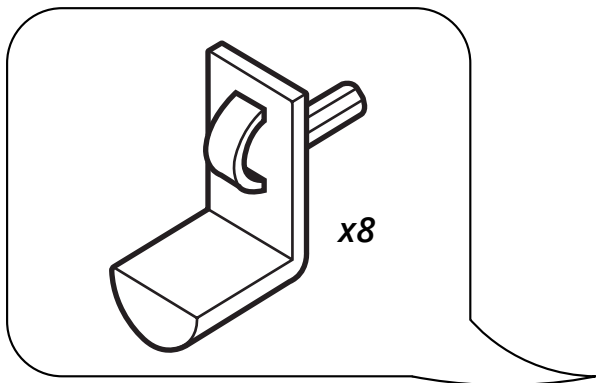
6



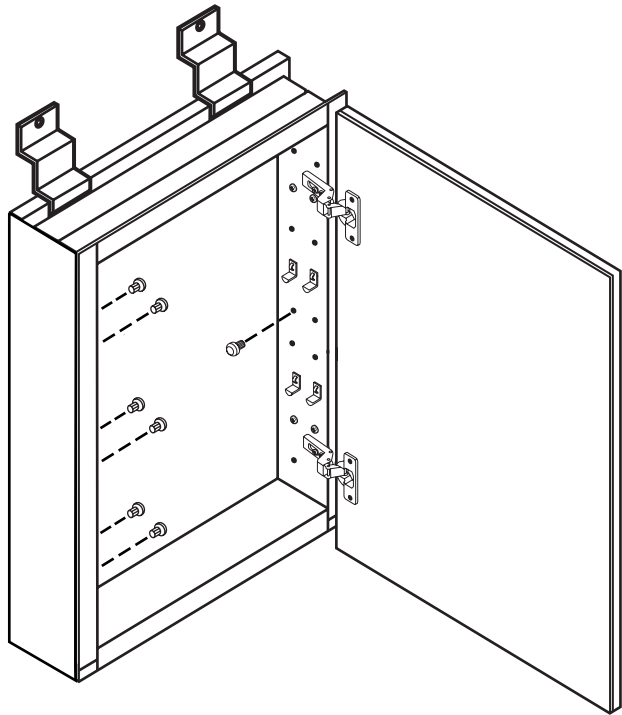
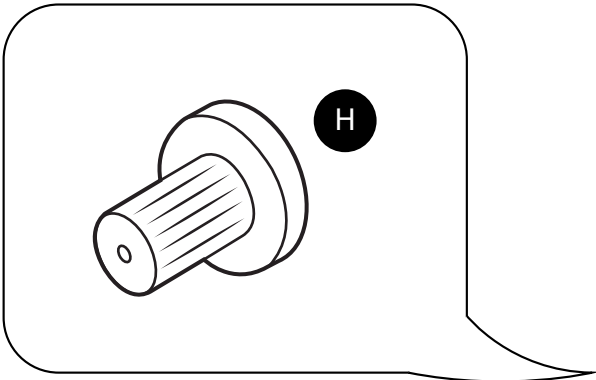
7



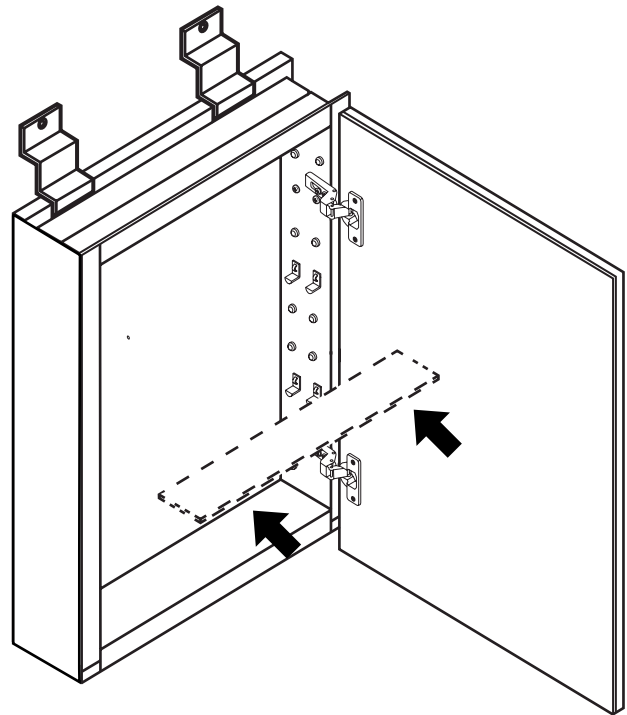
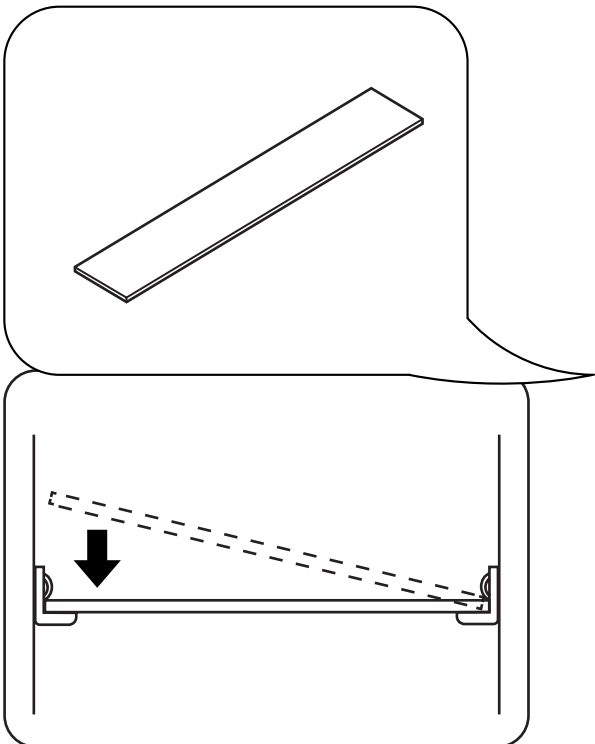
8



9

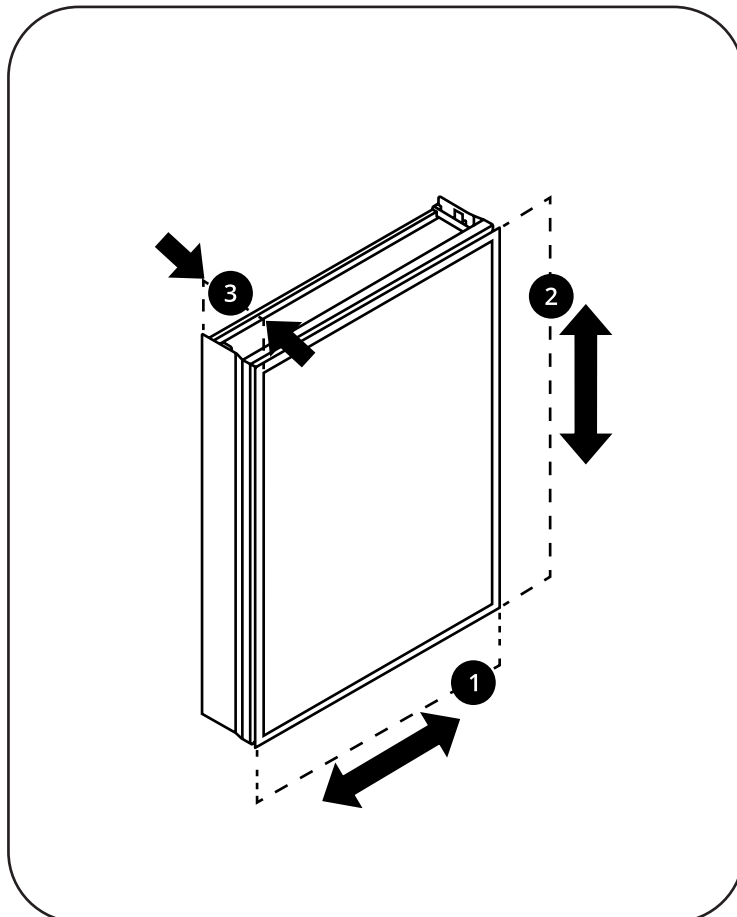
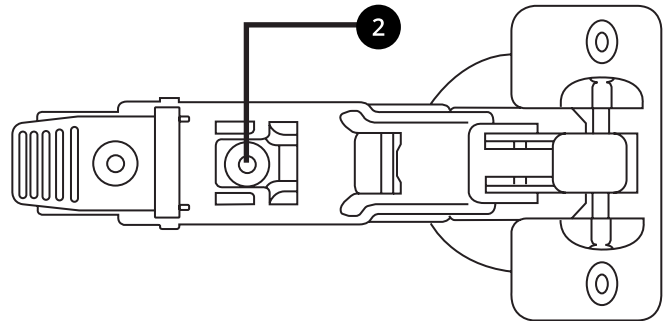
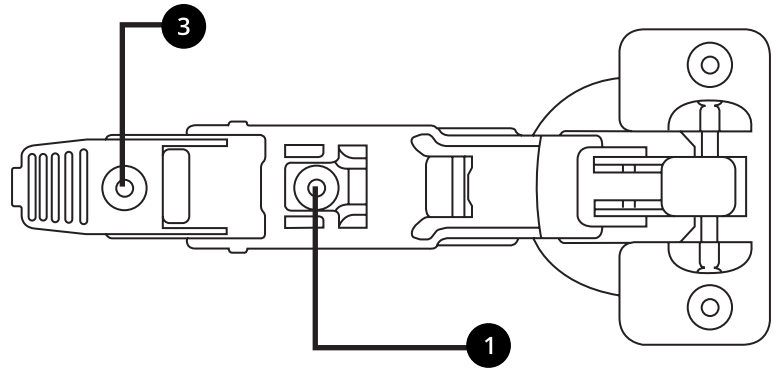
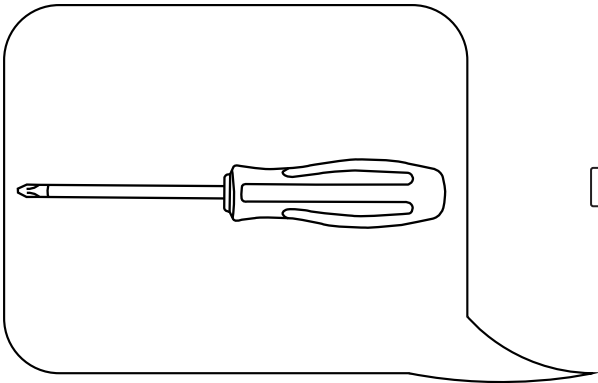


10





Hinge adjustments:



If you require any additional information or have any issues with this product please refer to the website.