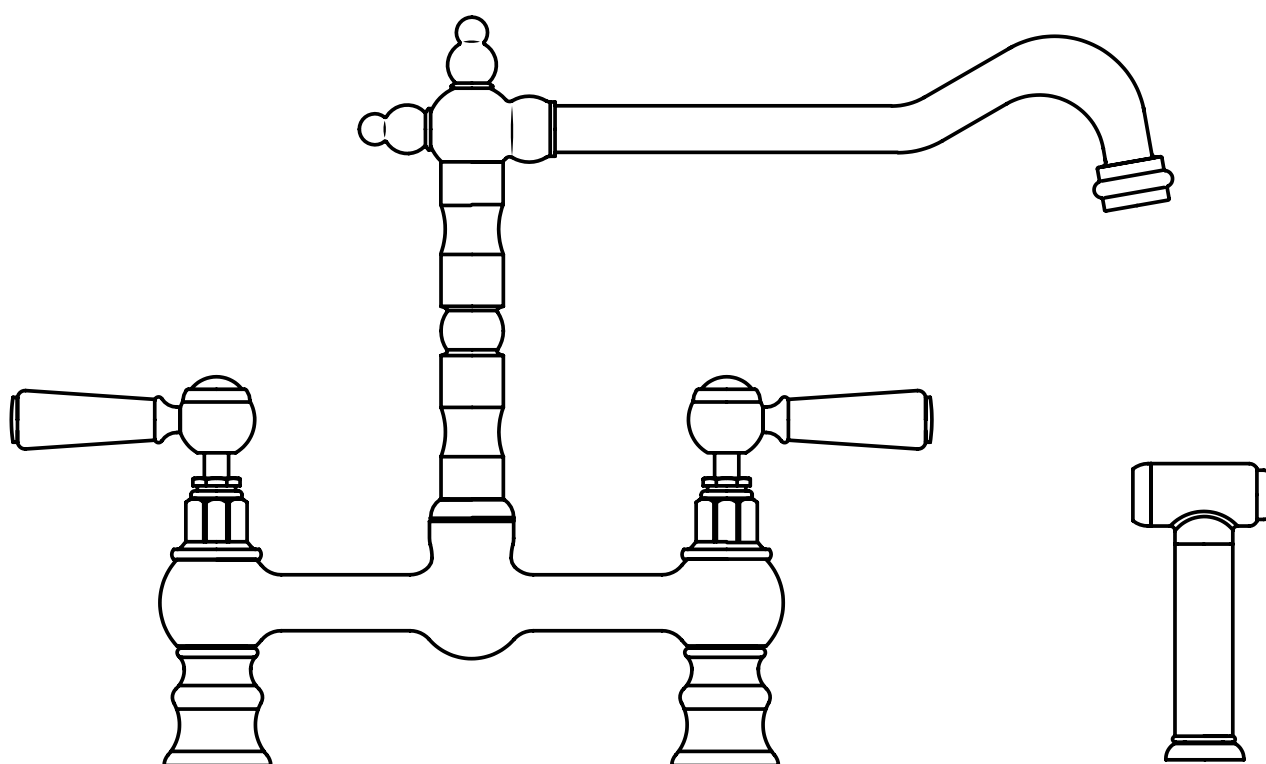


# Milano

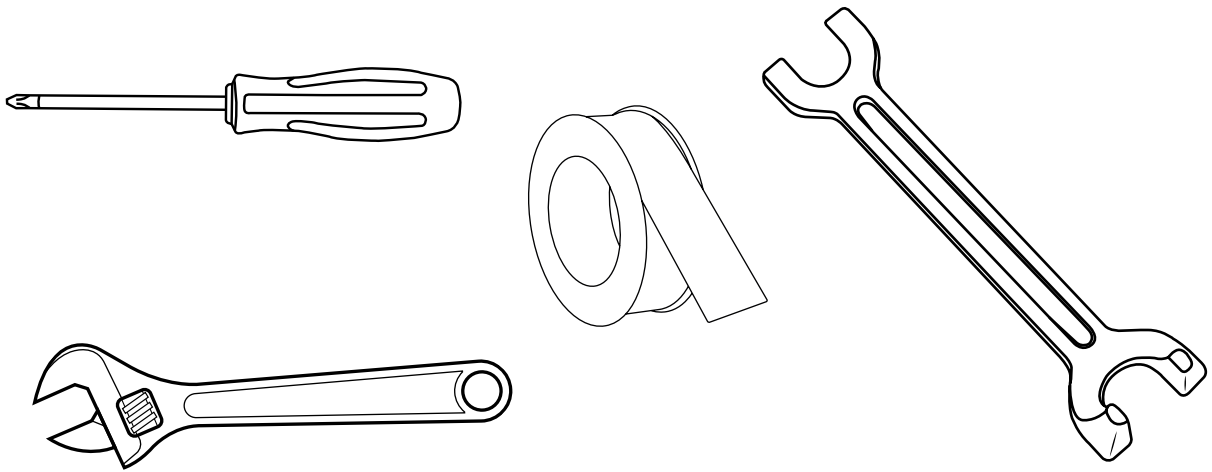
Kitchen Tap



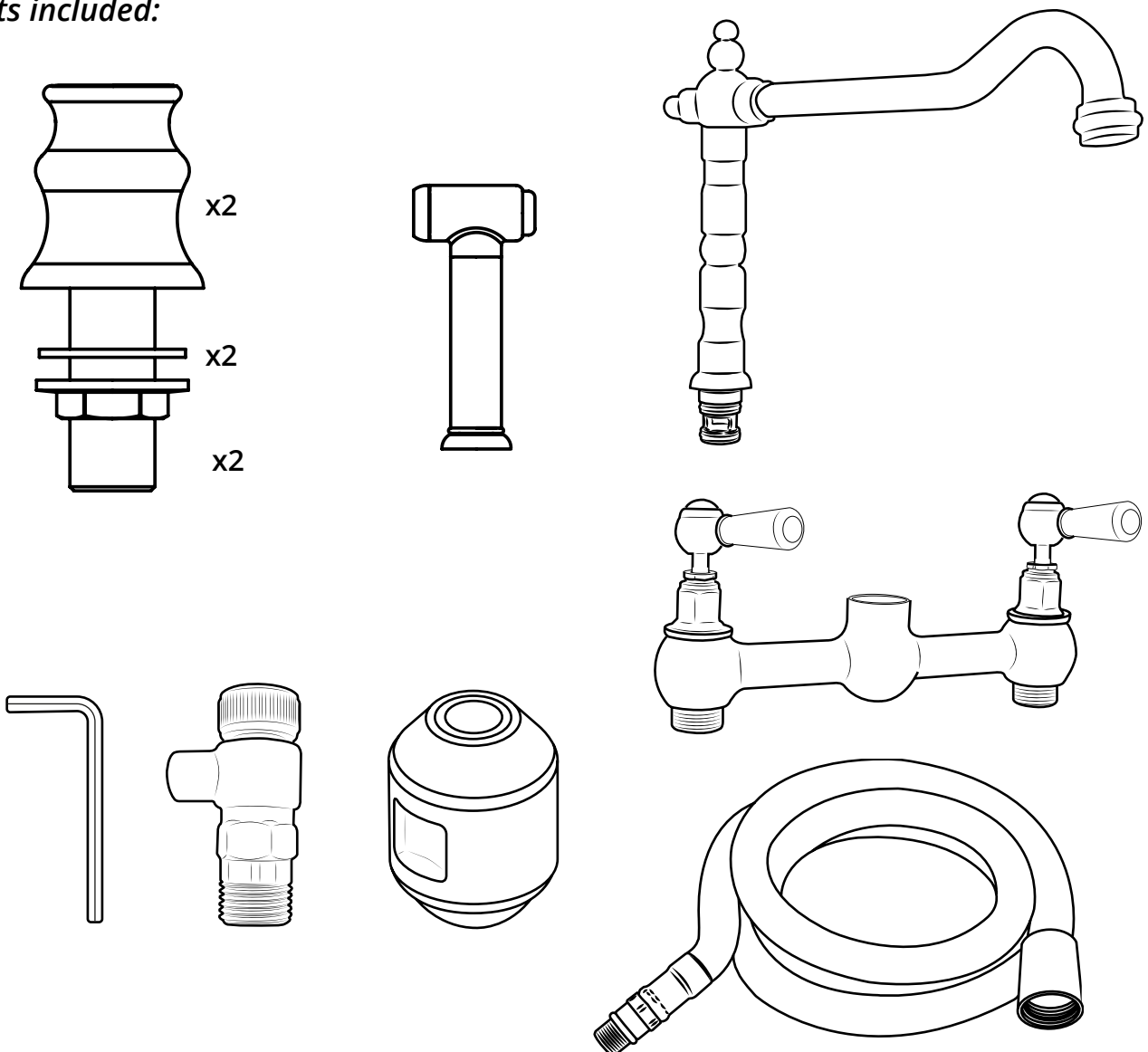
Installation Guide

# Installation

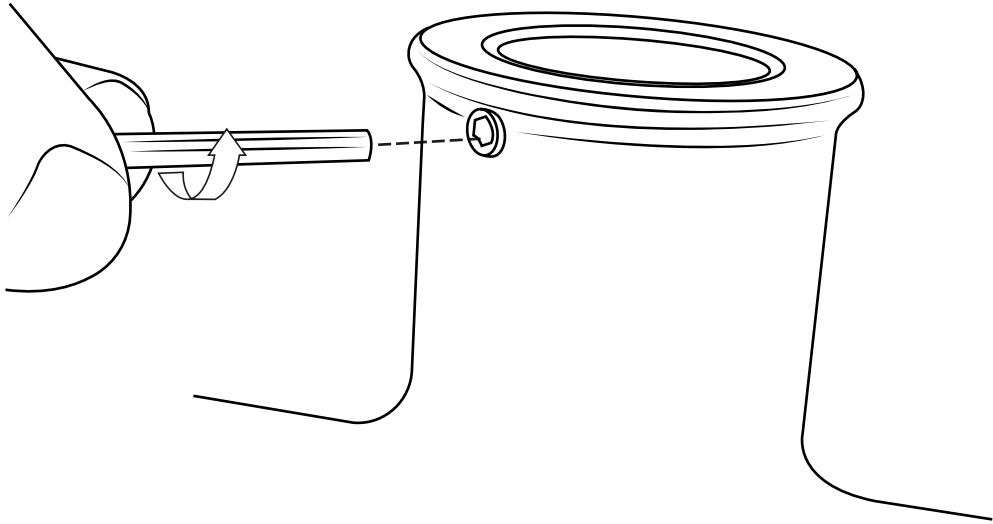
## Tools required for installing:



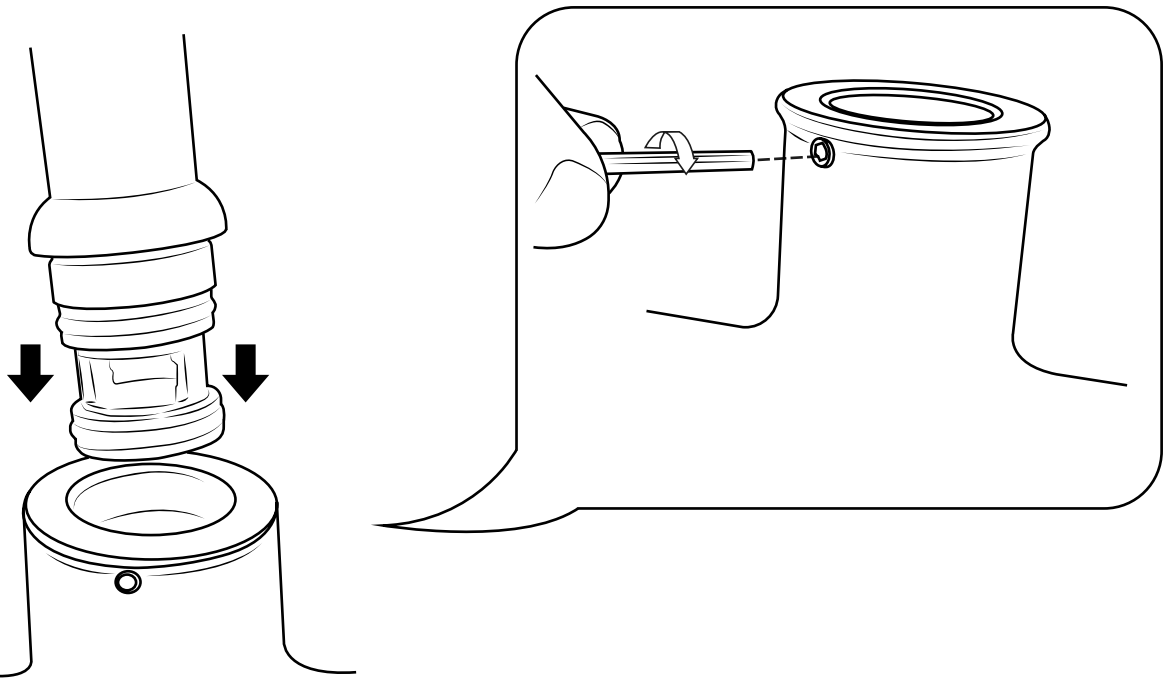
## Parts included:



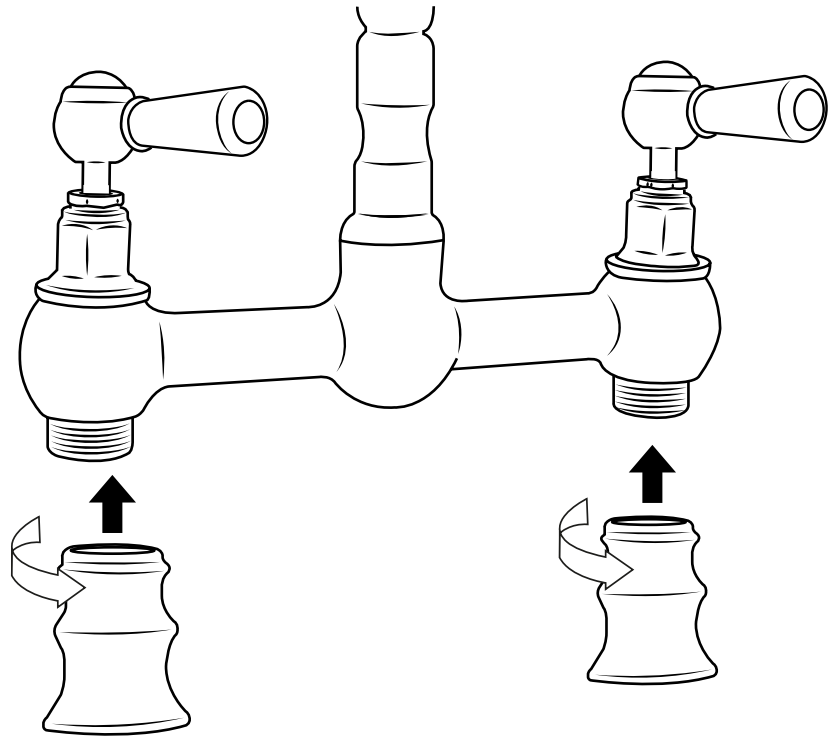
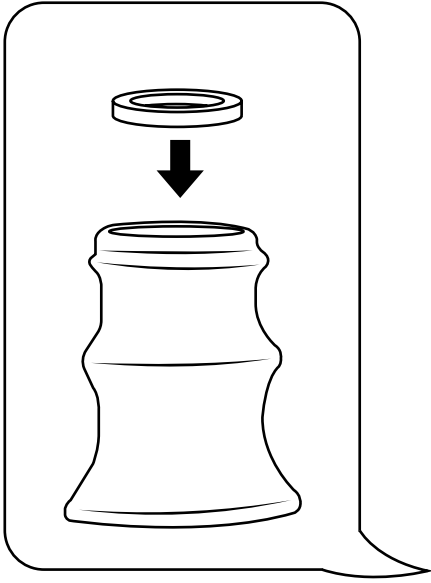
1



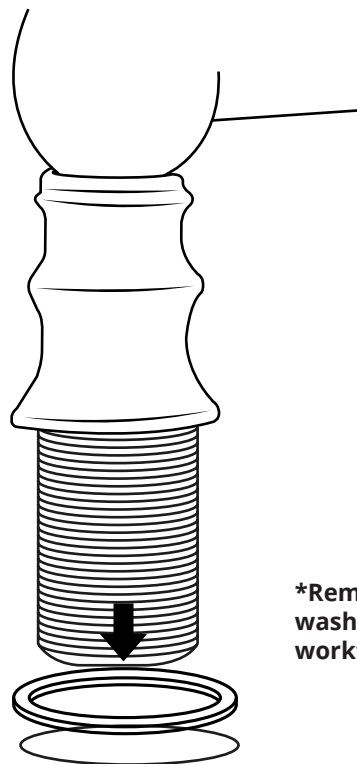
2



3

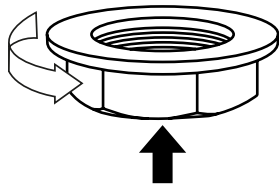
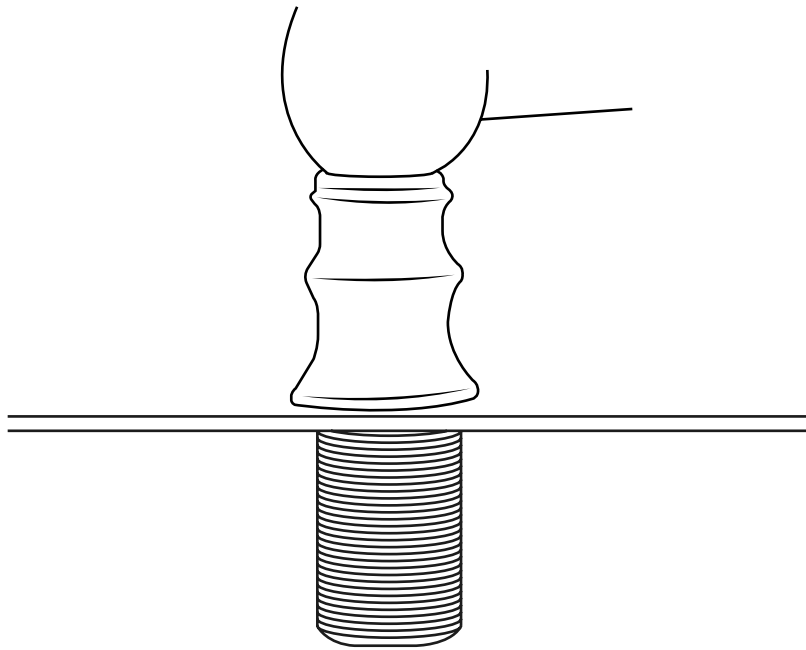


4

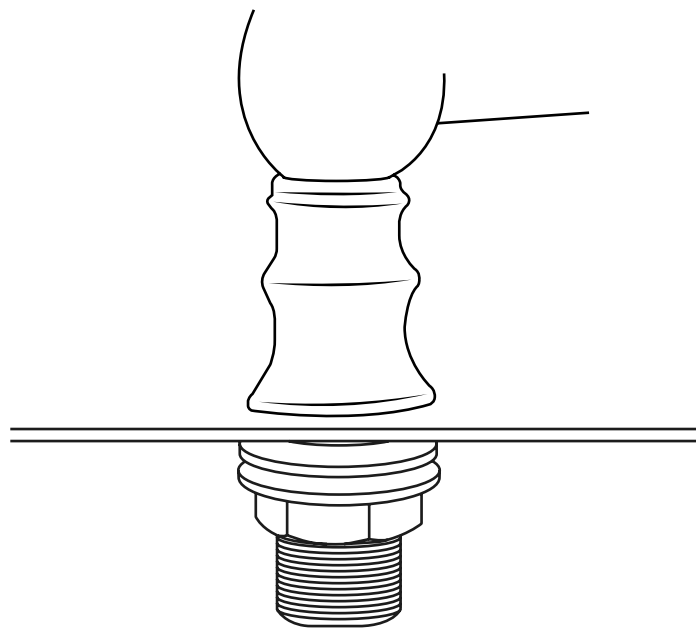


**\*Remember to install the 'O' ring or washer between the mixer body & worktop\***

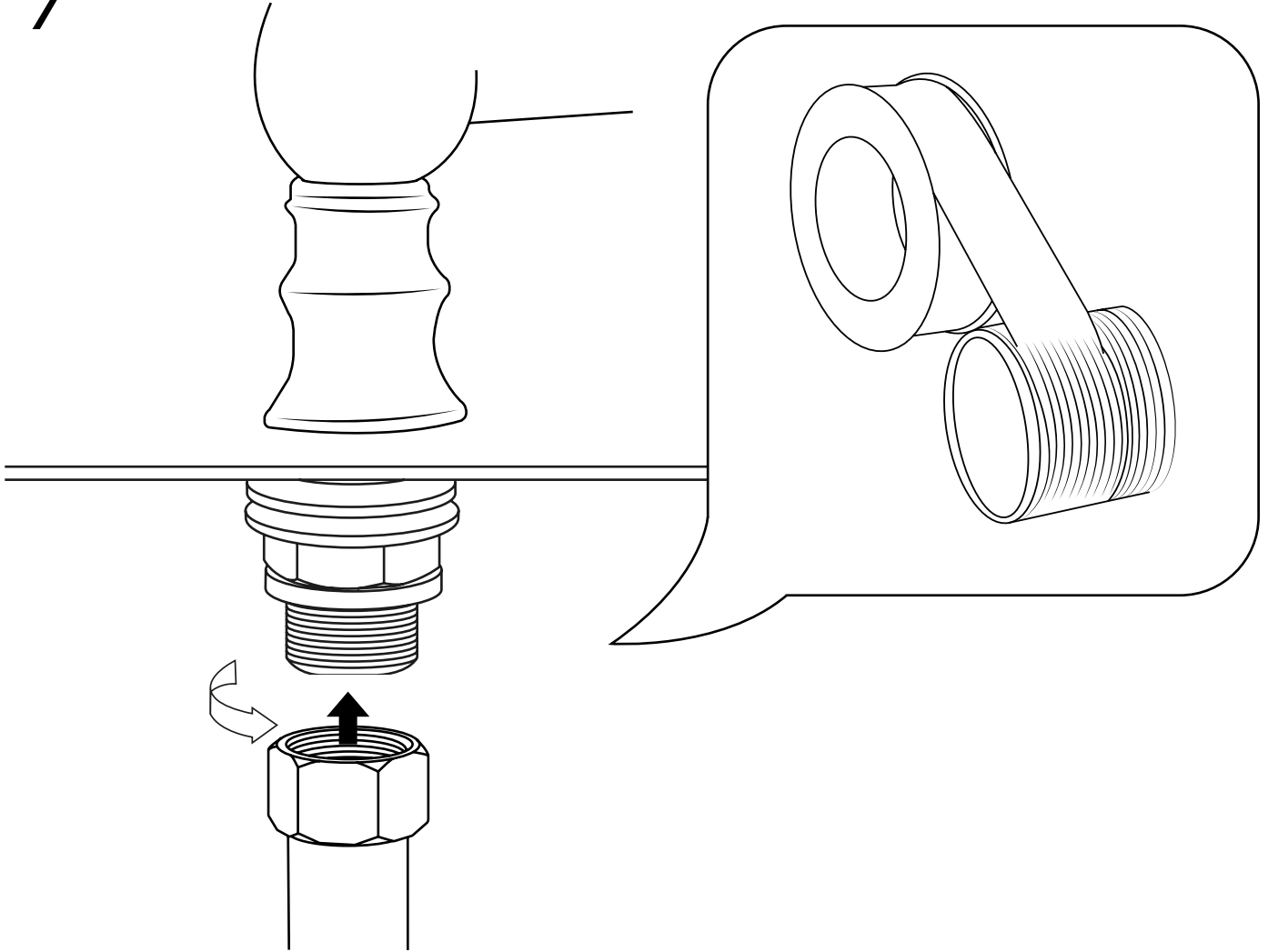
5



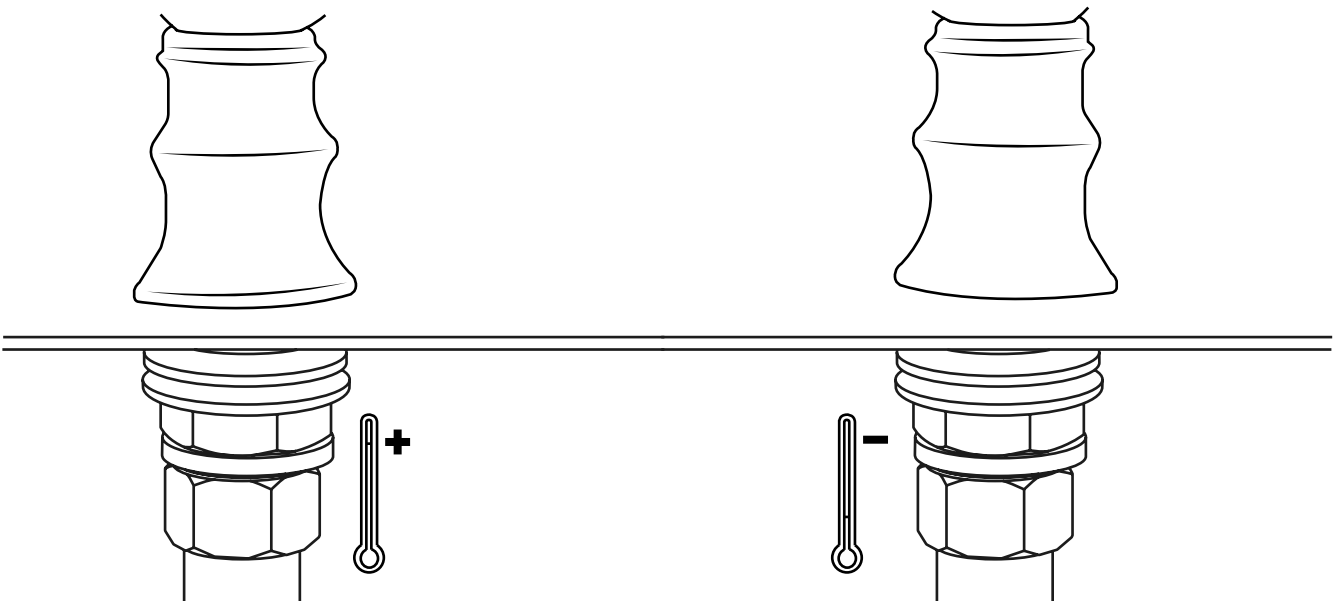
6



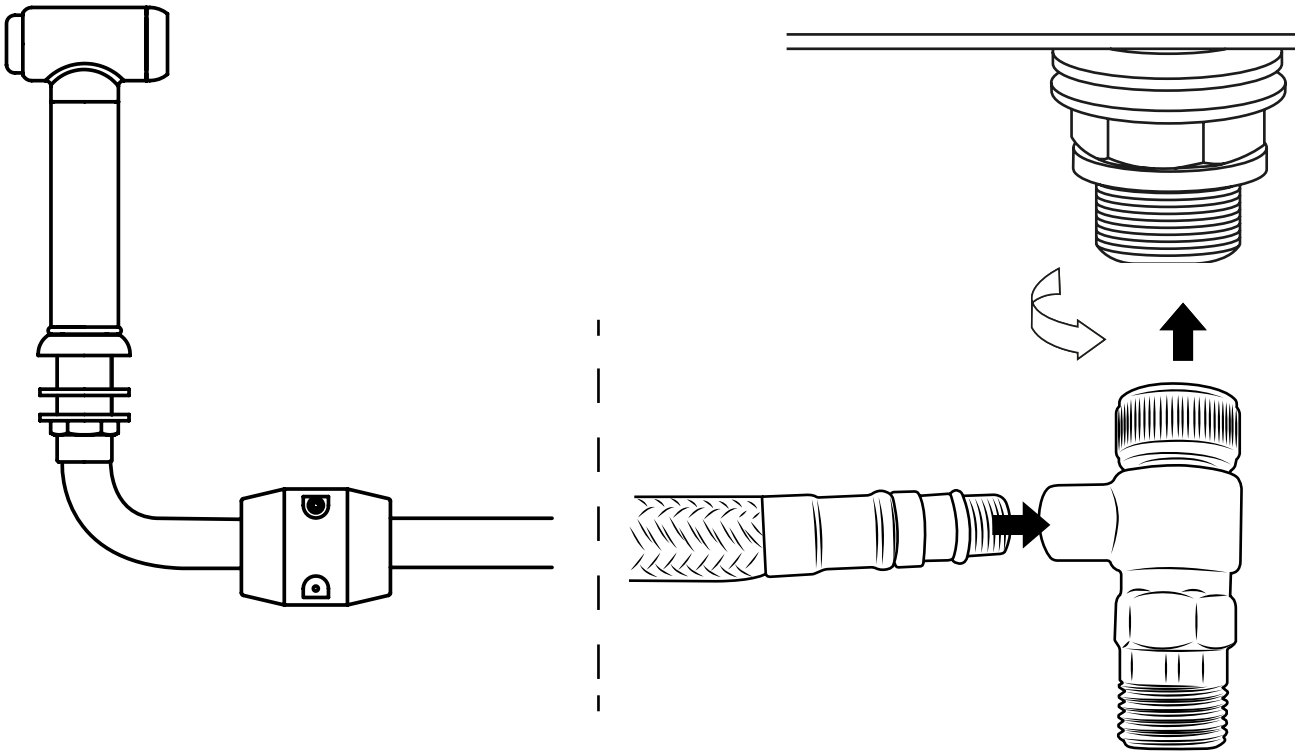
7



8



9



10

