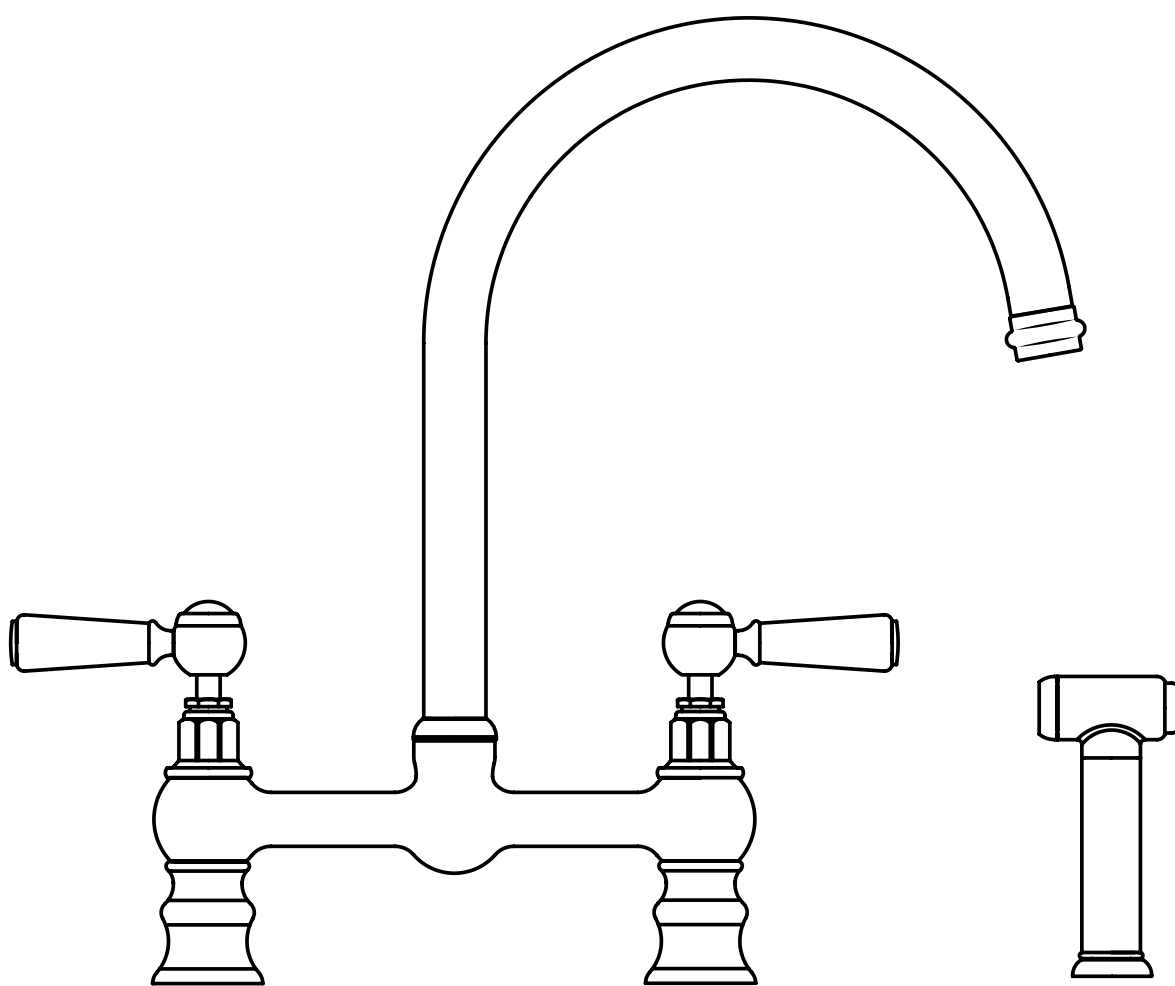


Milano

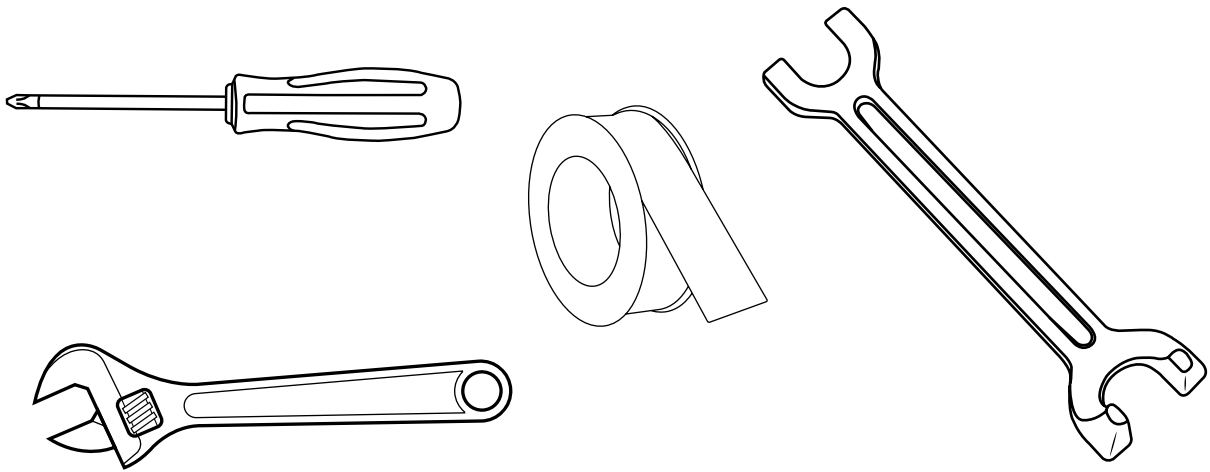
Kitchen Tap



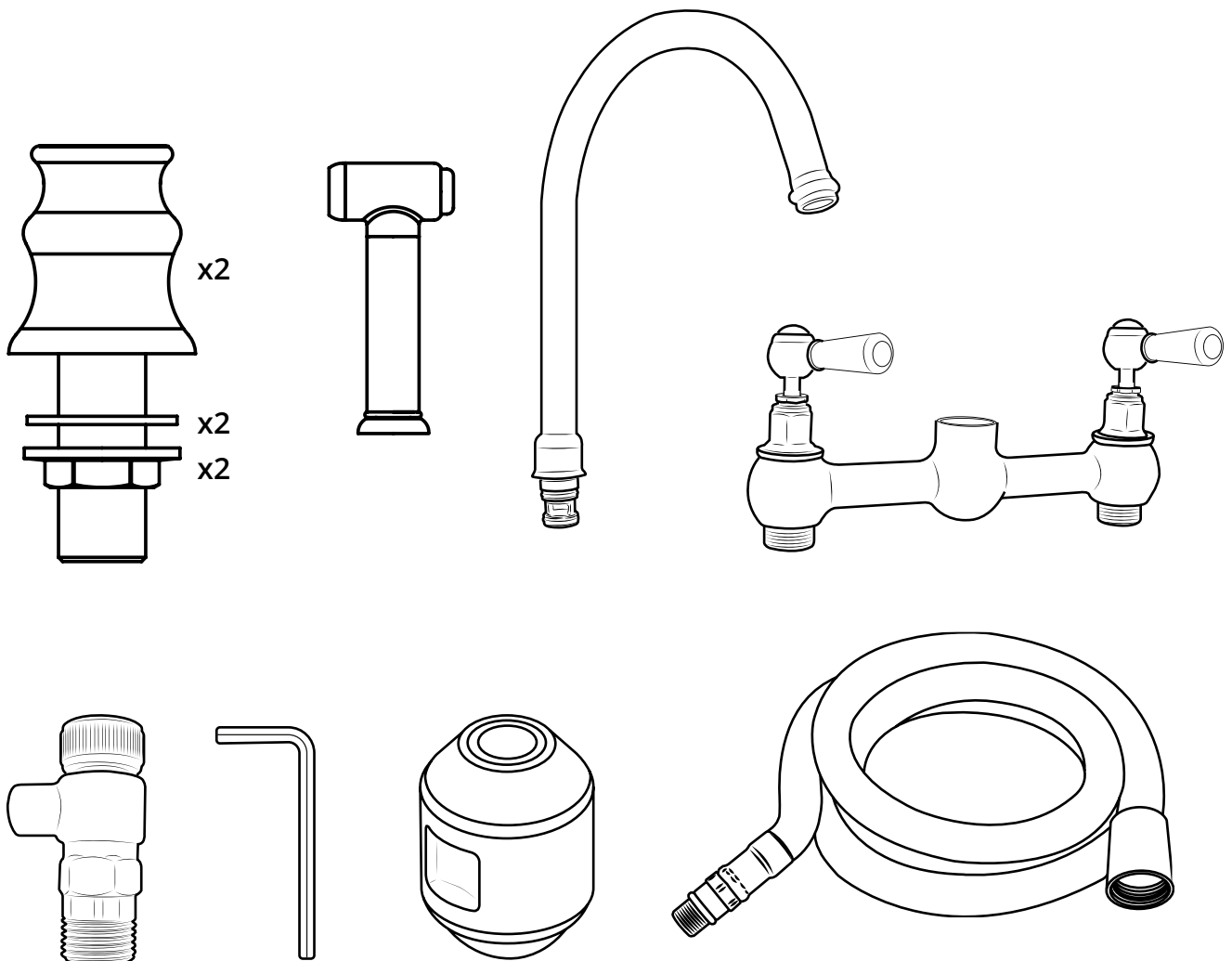
Installation Guide

Installation

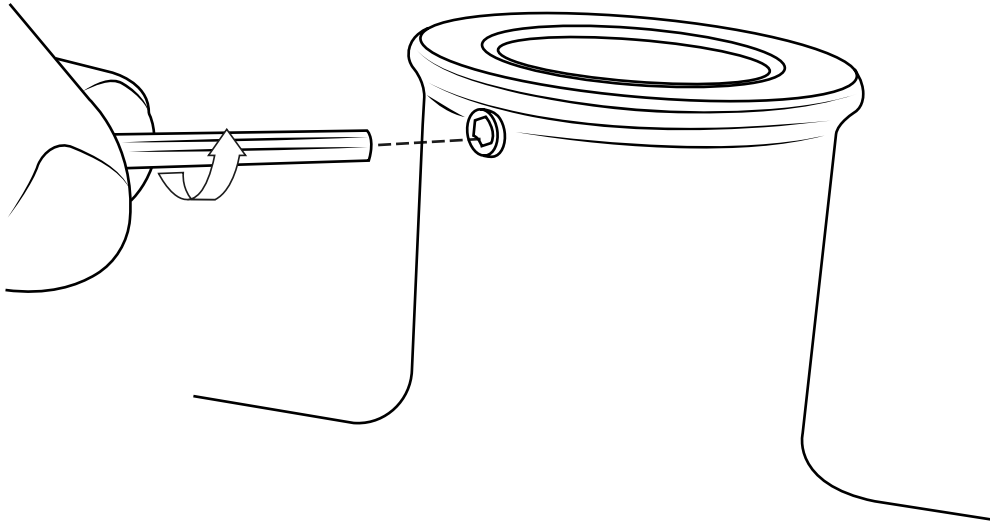
Tools required for installing:



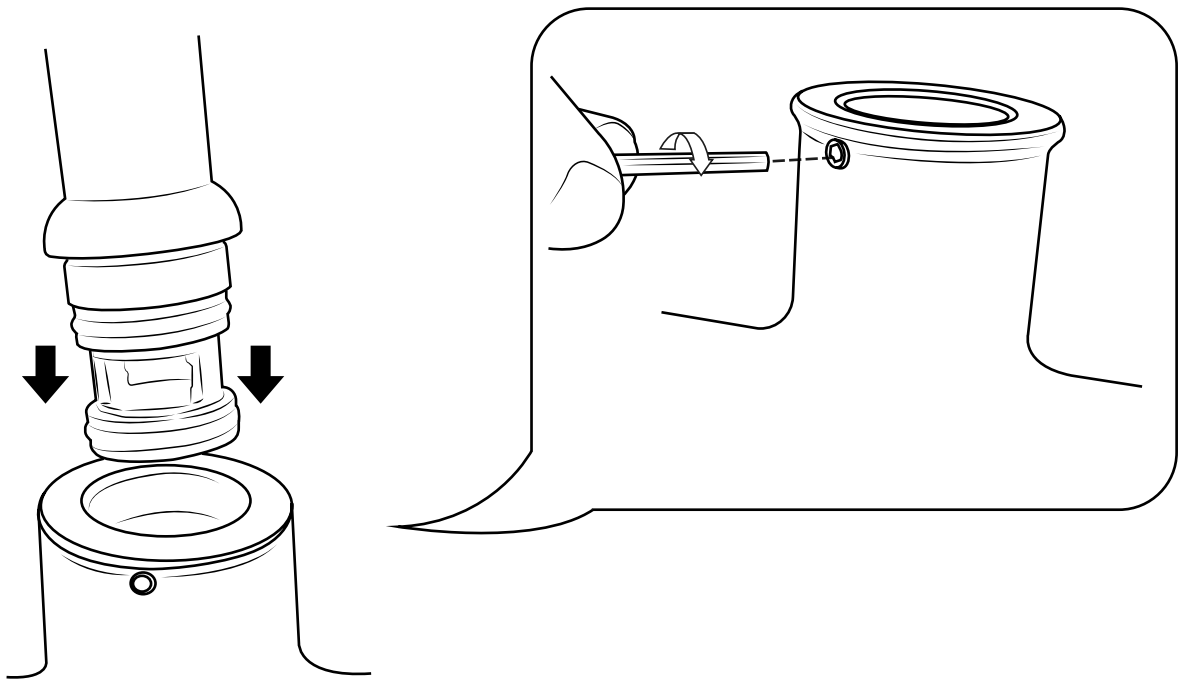
Parts included:



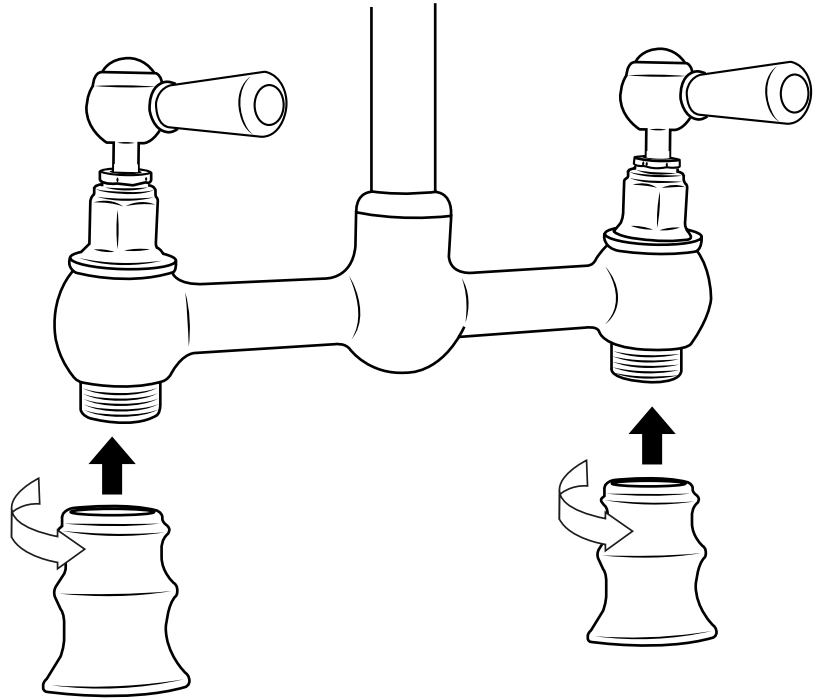
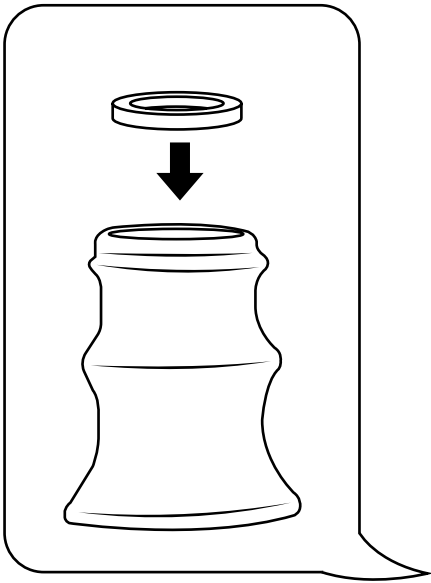
1



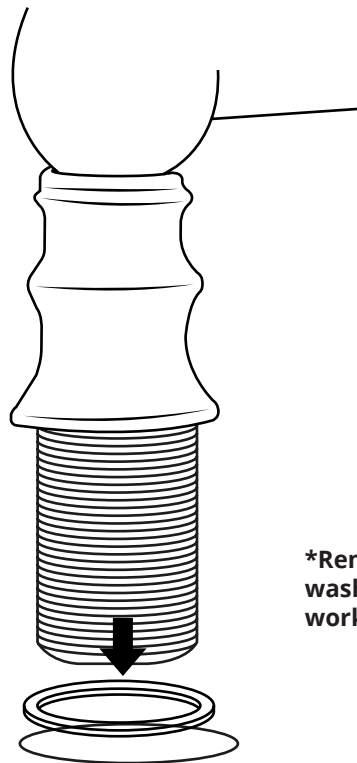
2



3

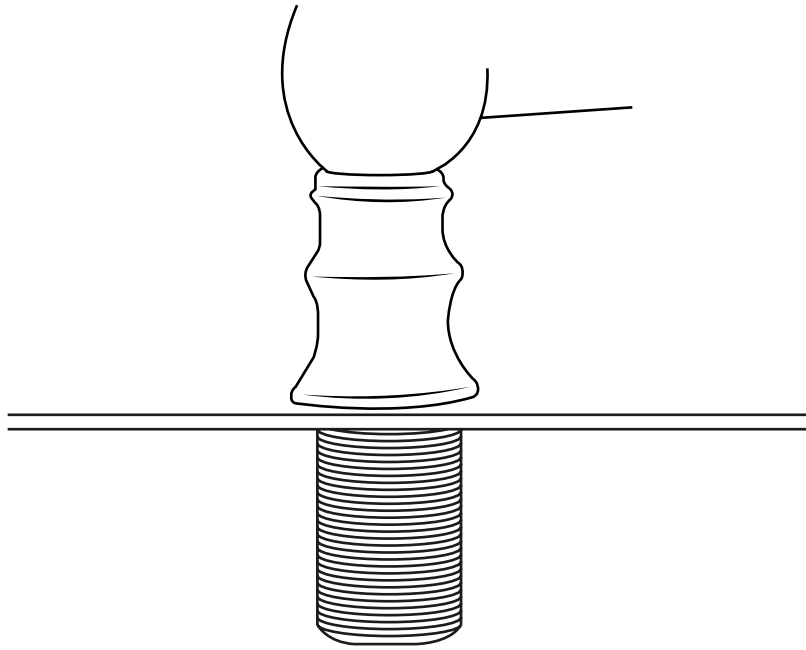


4

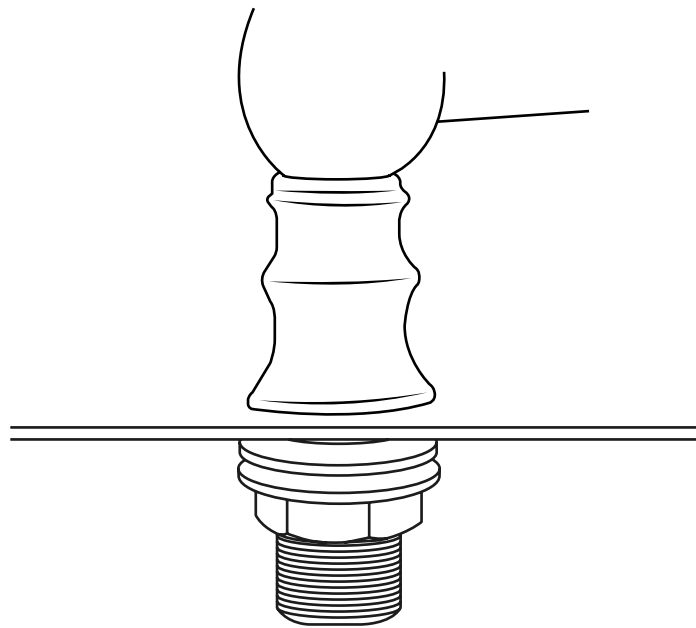
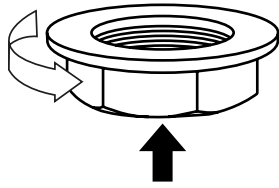


Remember to install the 'O' ring or washer between the mixer body & worktop

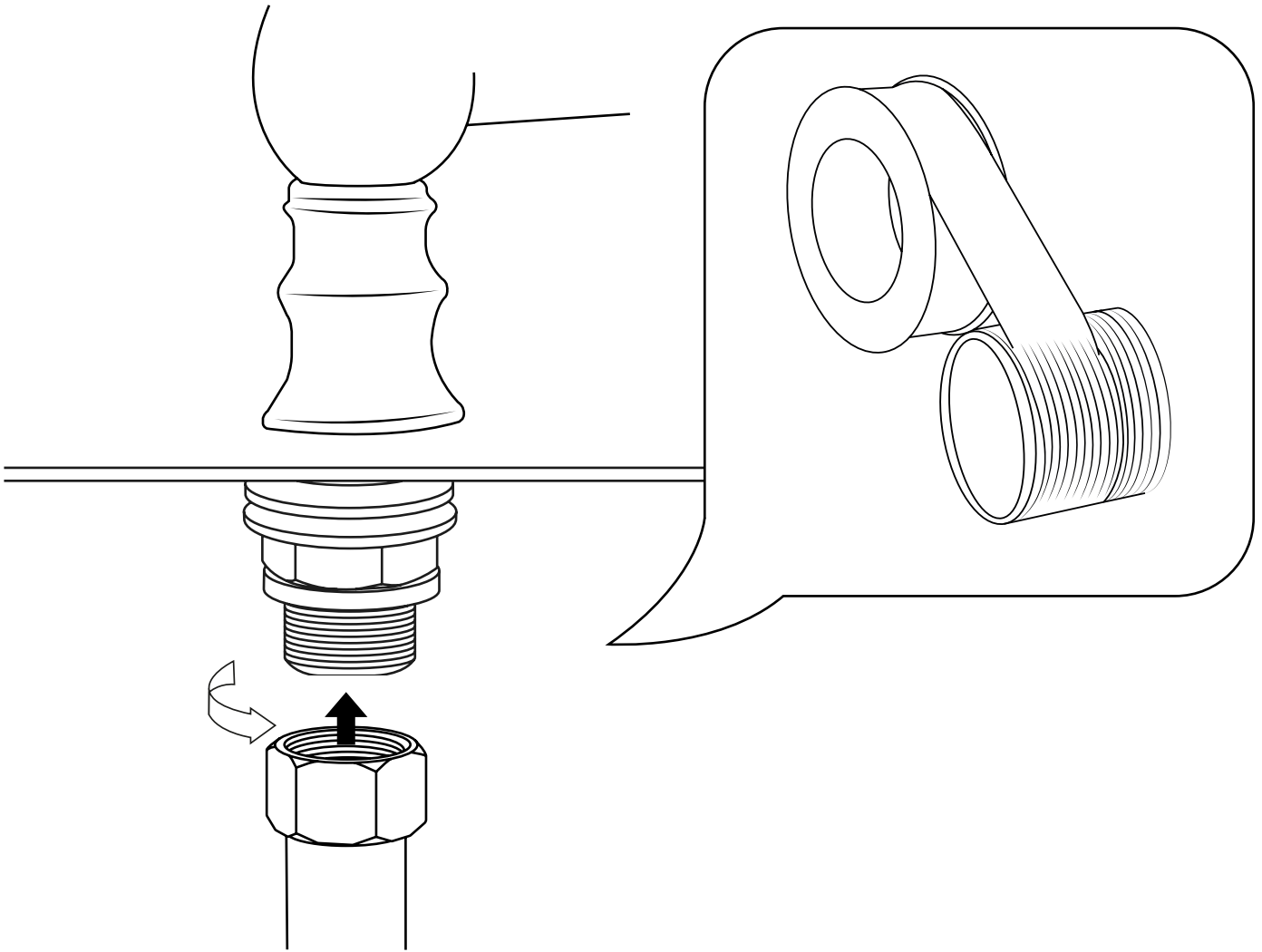
5



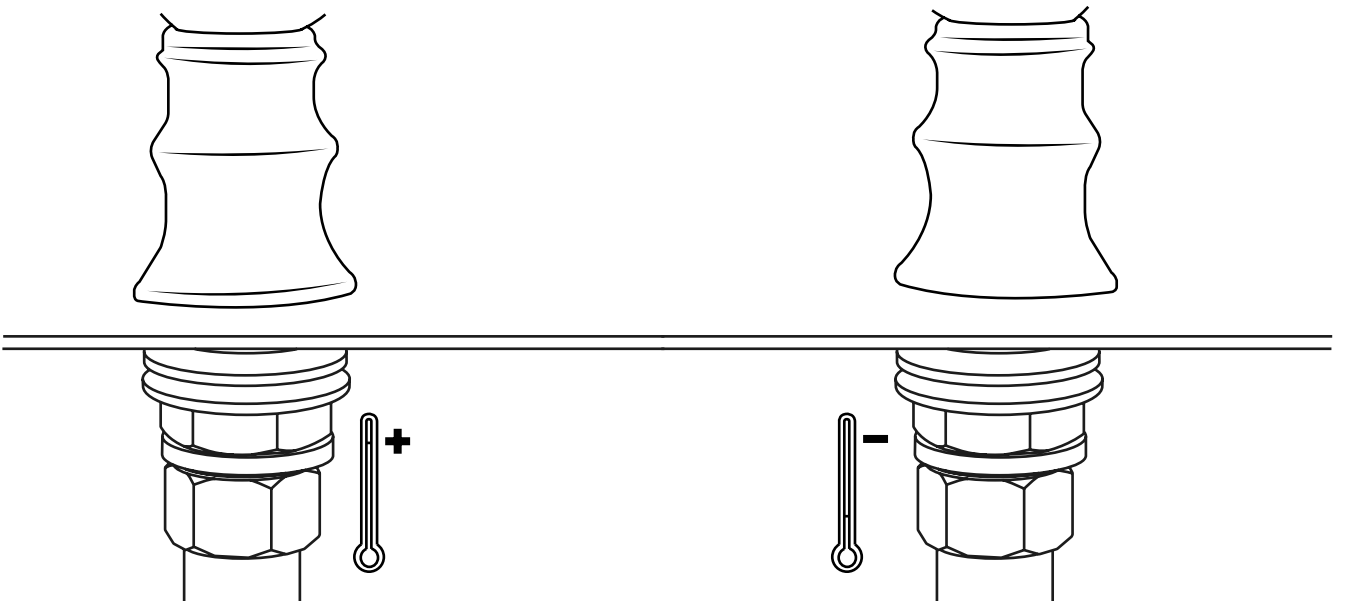
6



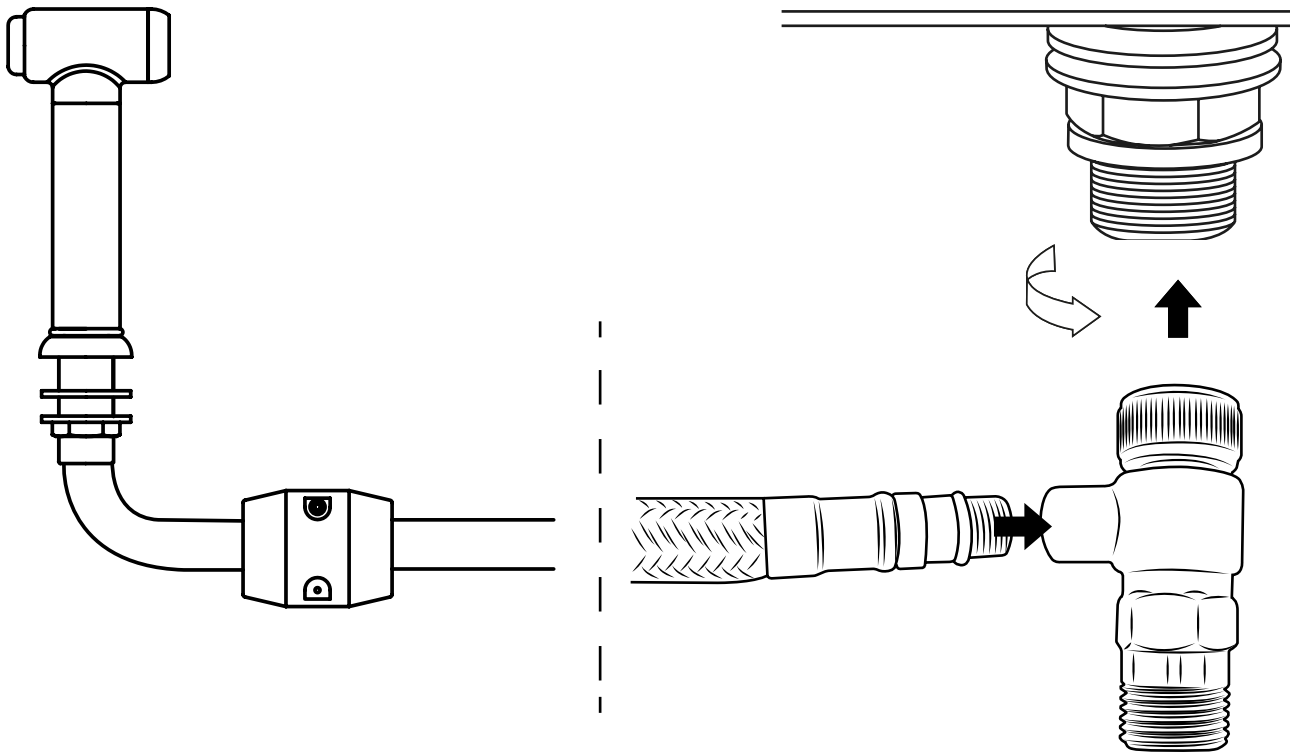
7



8



9



10

