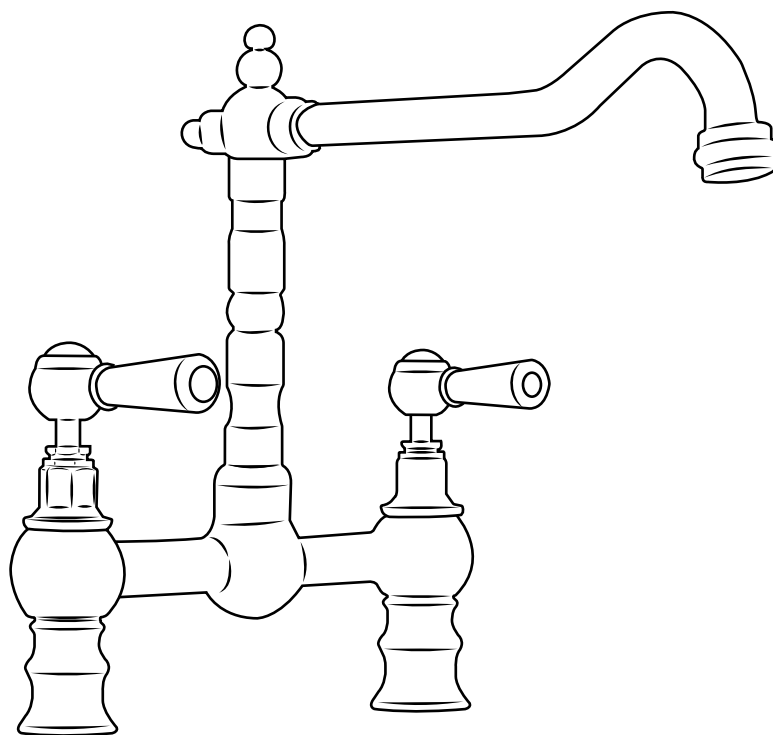


# Milano

Kitchen Tap

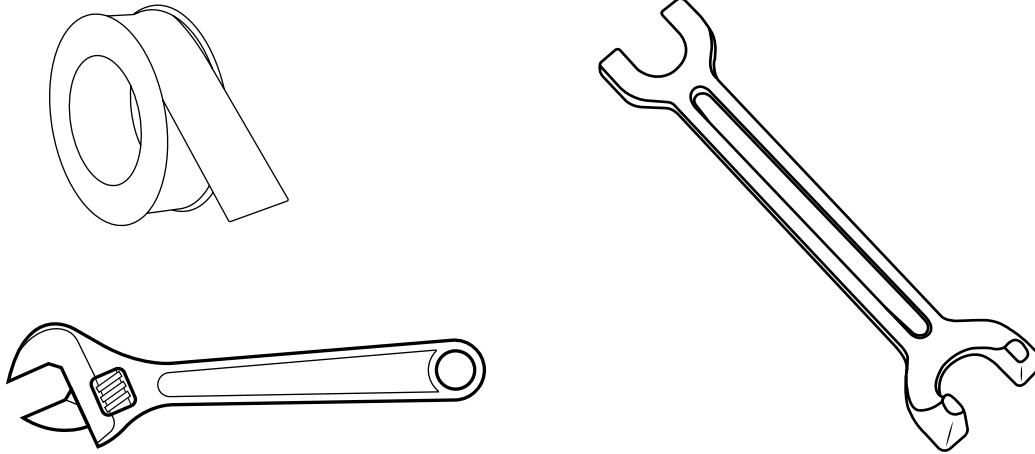


Installation Guide

# Installation

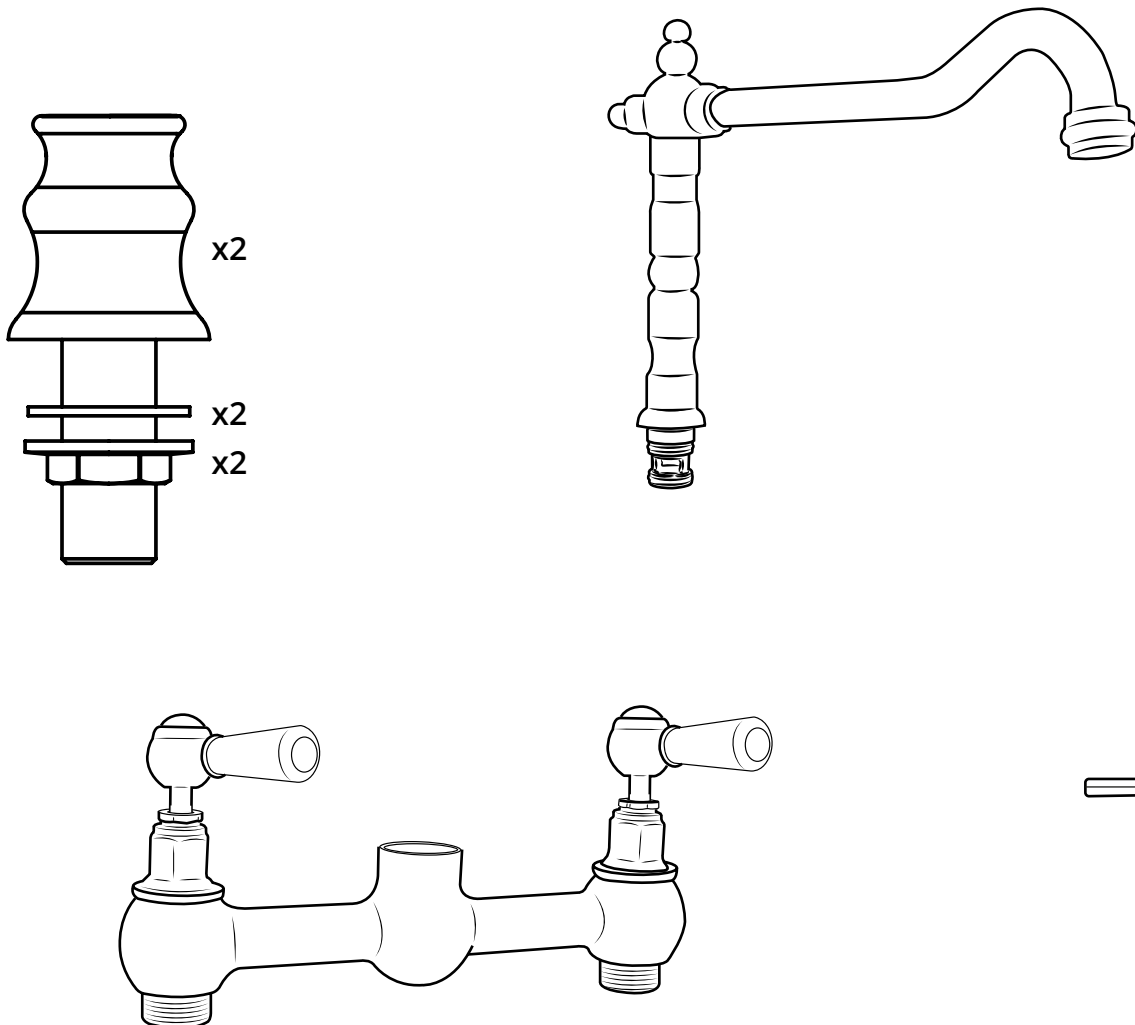
---

## Tools required for installing:

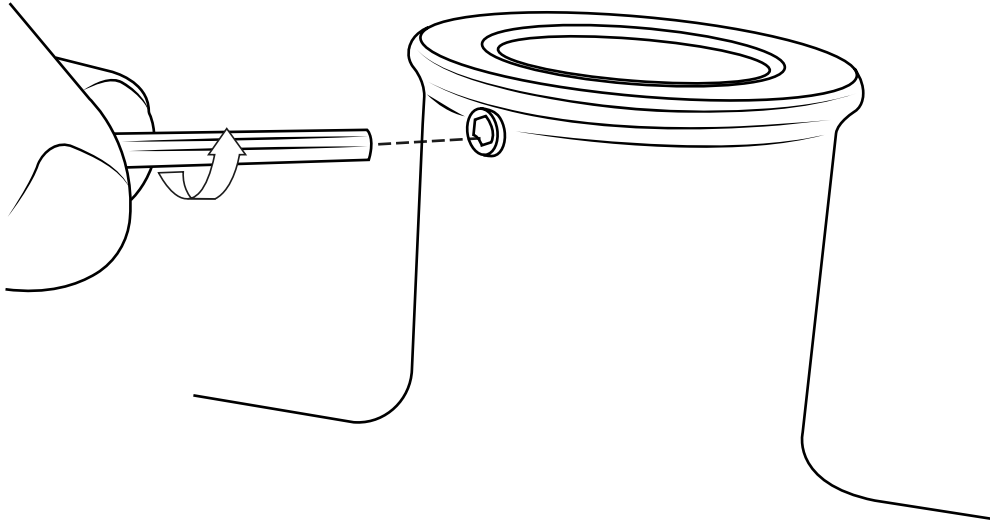


---

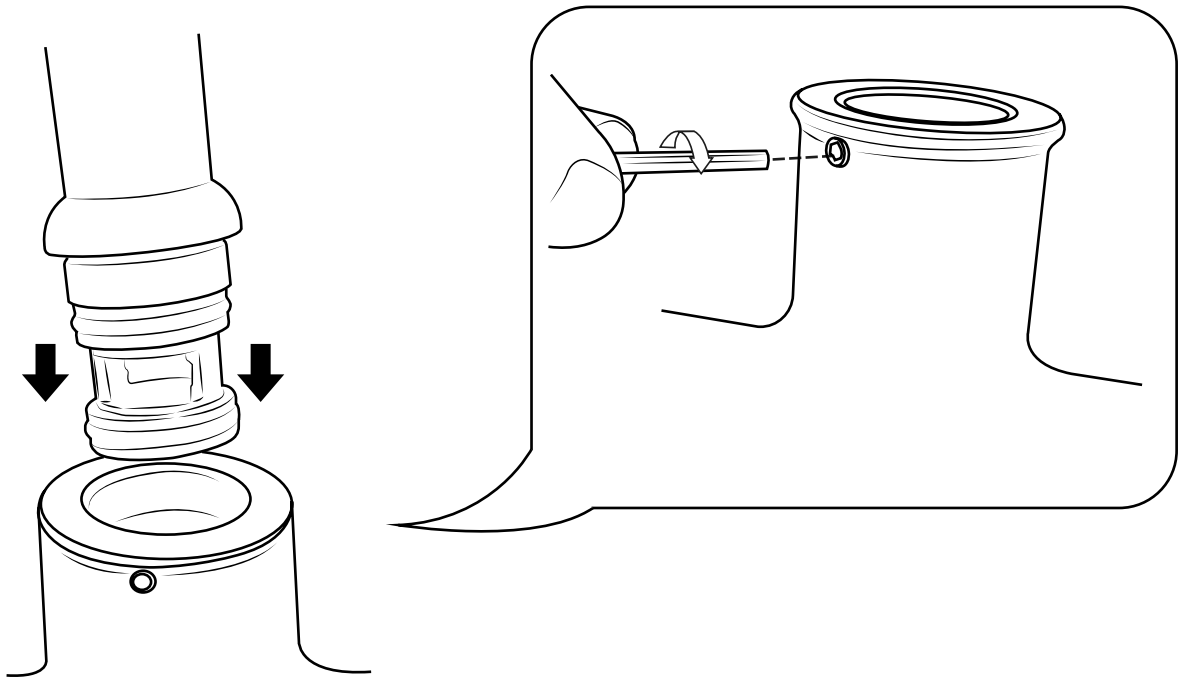
## Parts included:



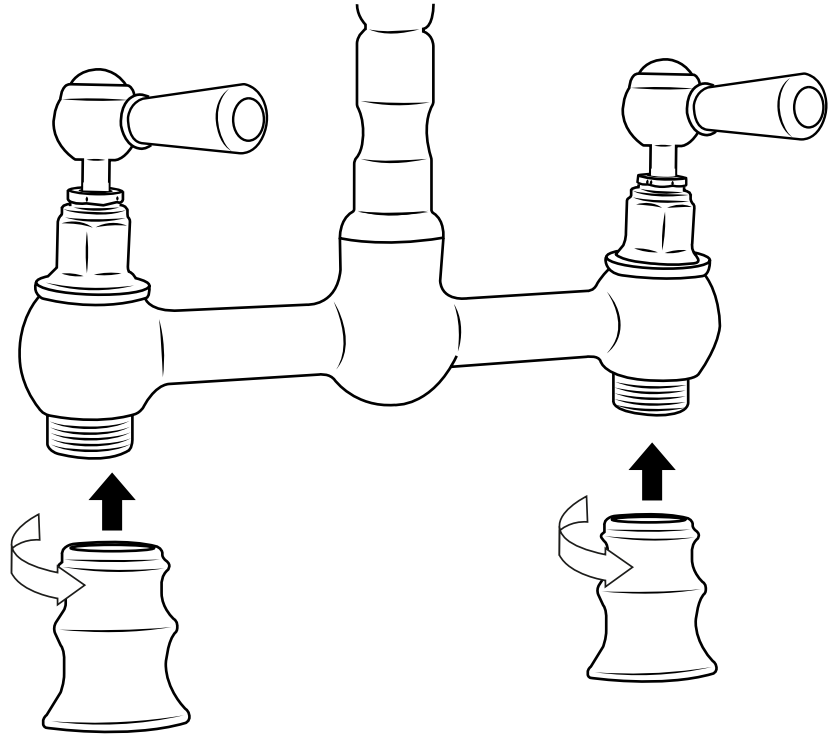
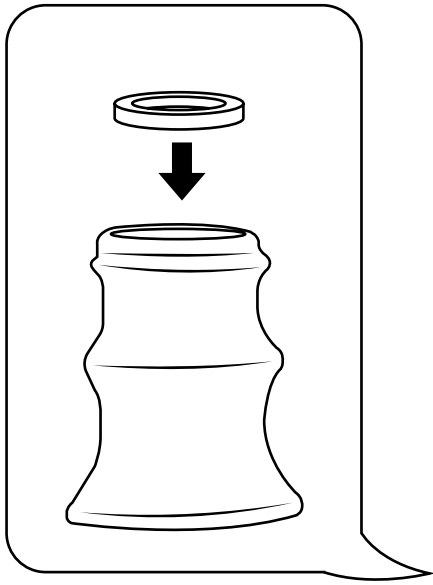
1



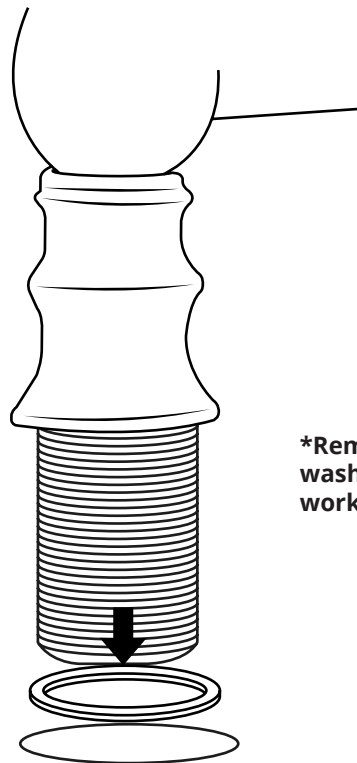
2



3

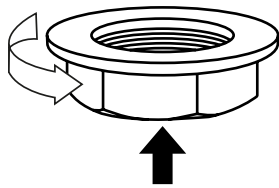
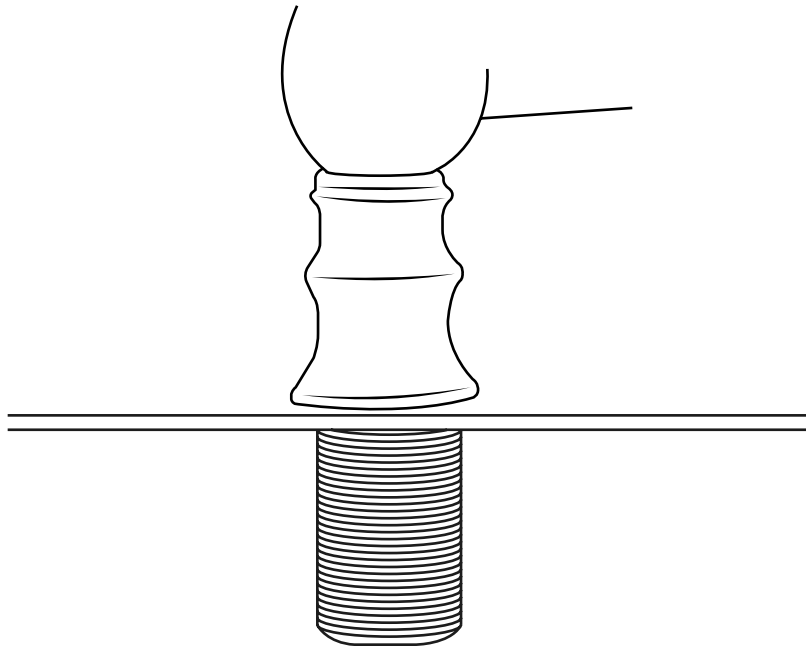


4

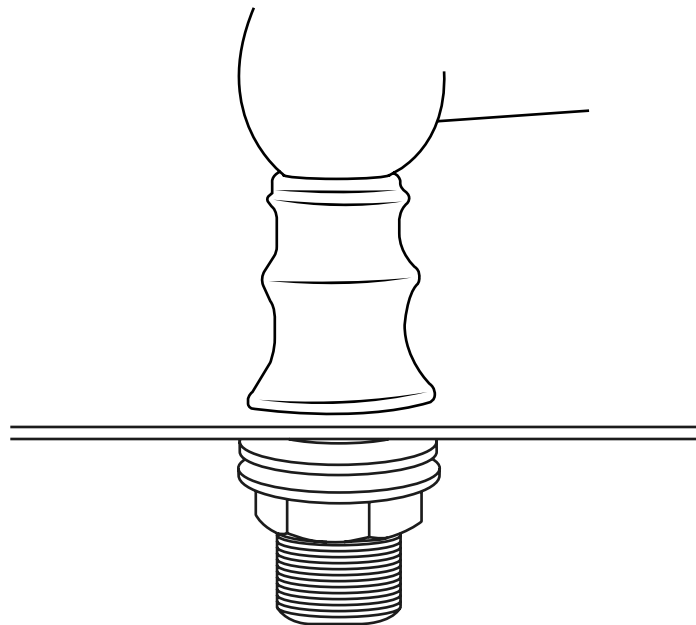


**\*Remember to install the 'O' ring or washer between the mixer body & worktop\***

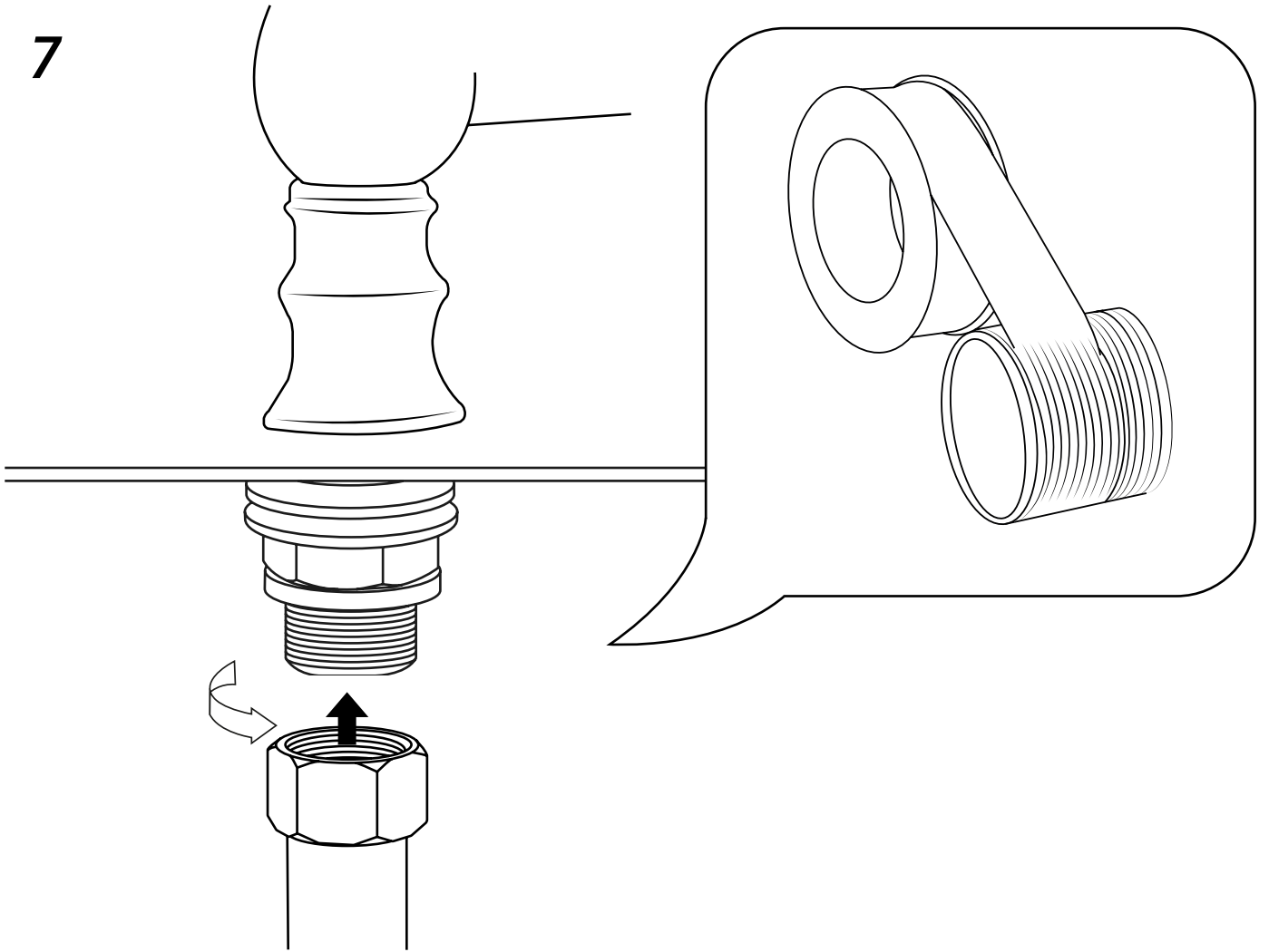
5



6



7



8

