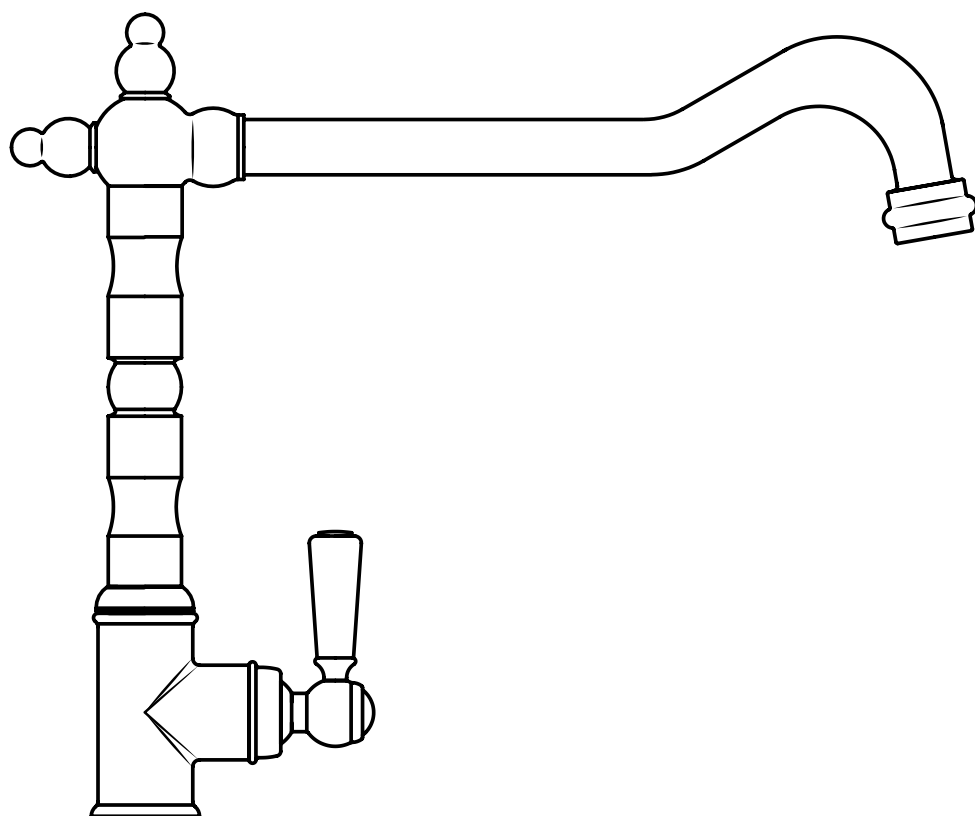


Milano

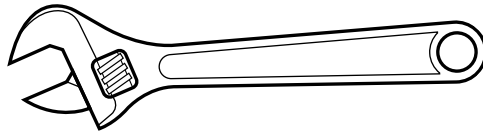
Kitchen Tap



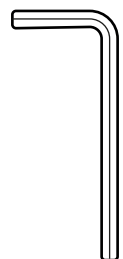
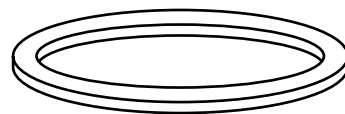
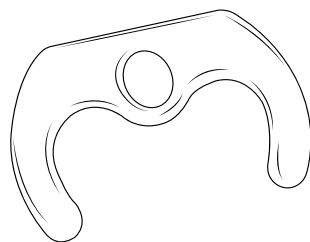
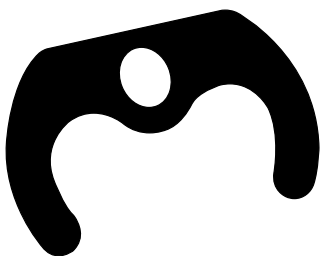
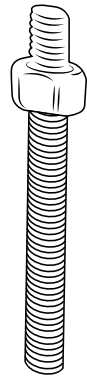
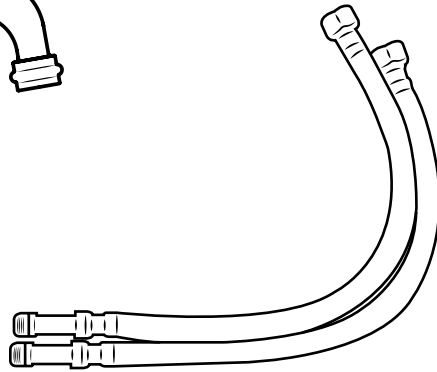
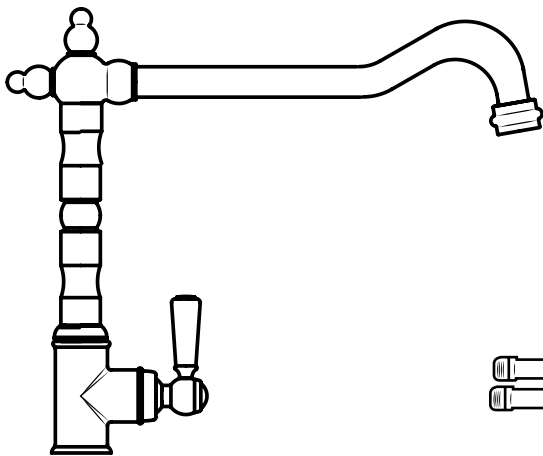
Installation Guide

Installation

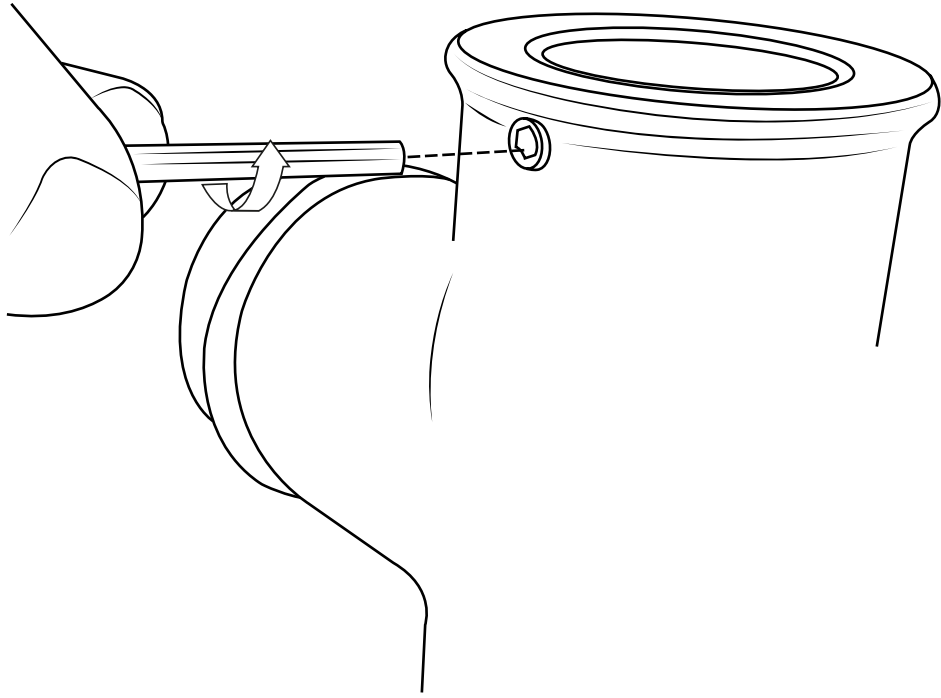
Tools required for installing:



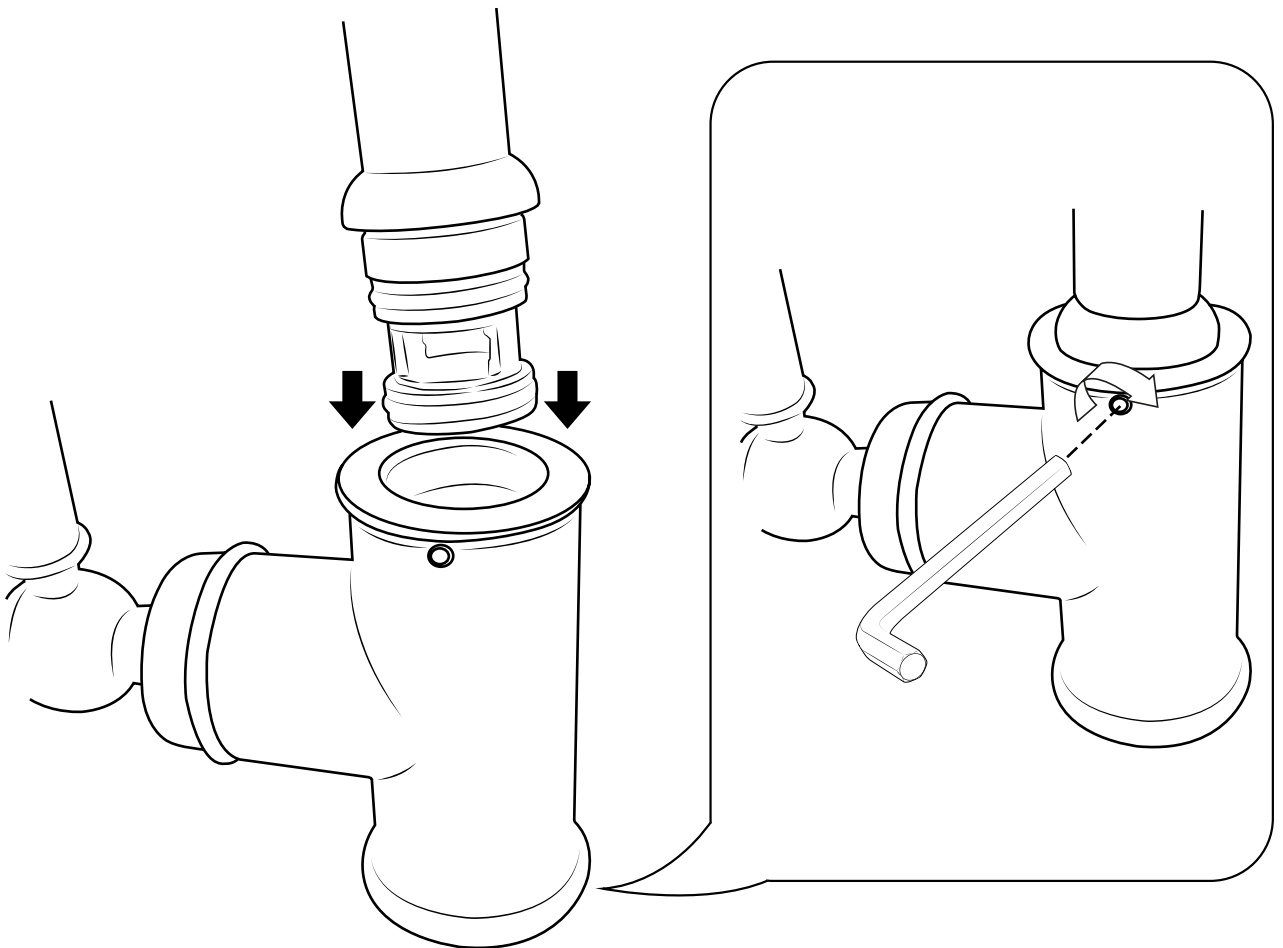
Parts included:



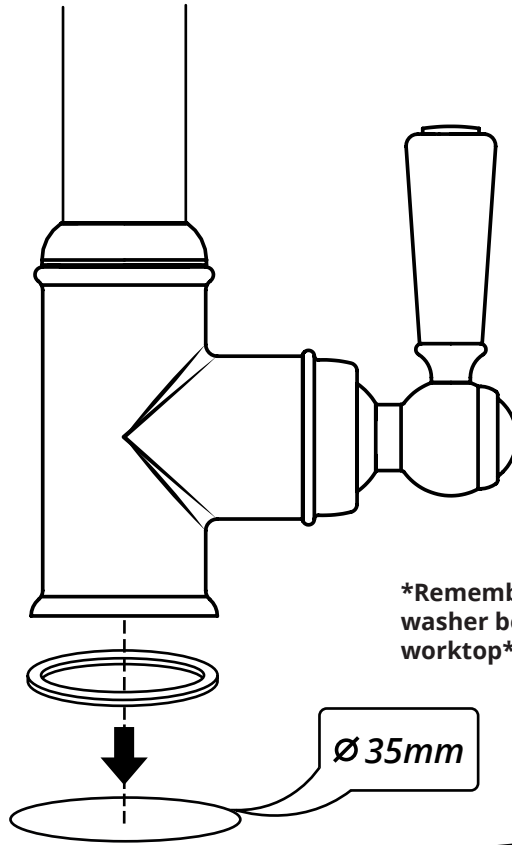
1



2



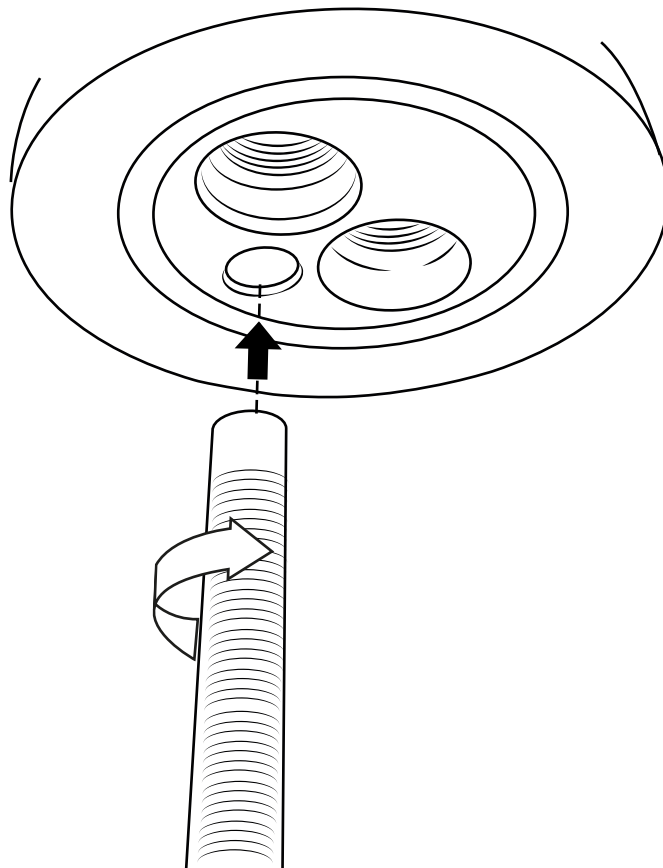
3



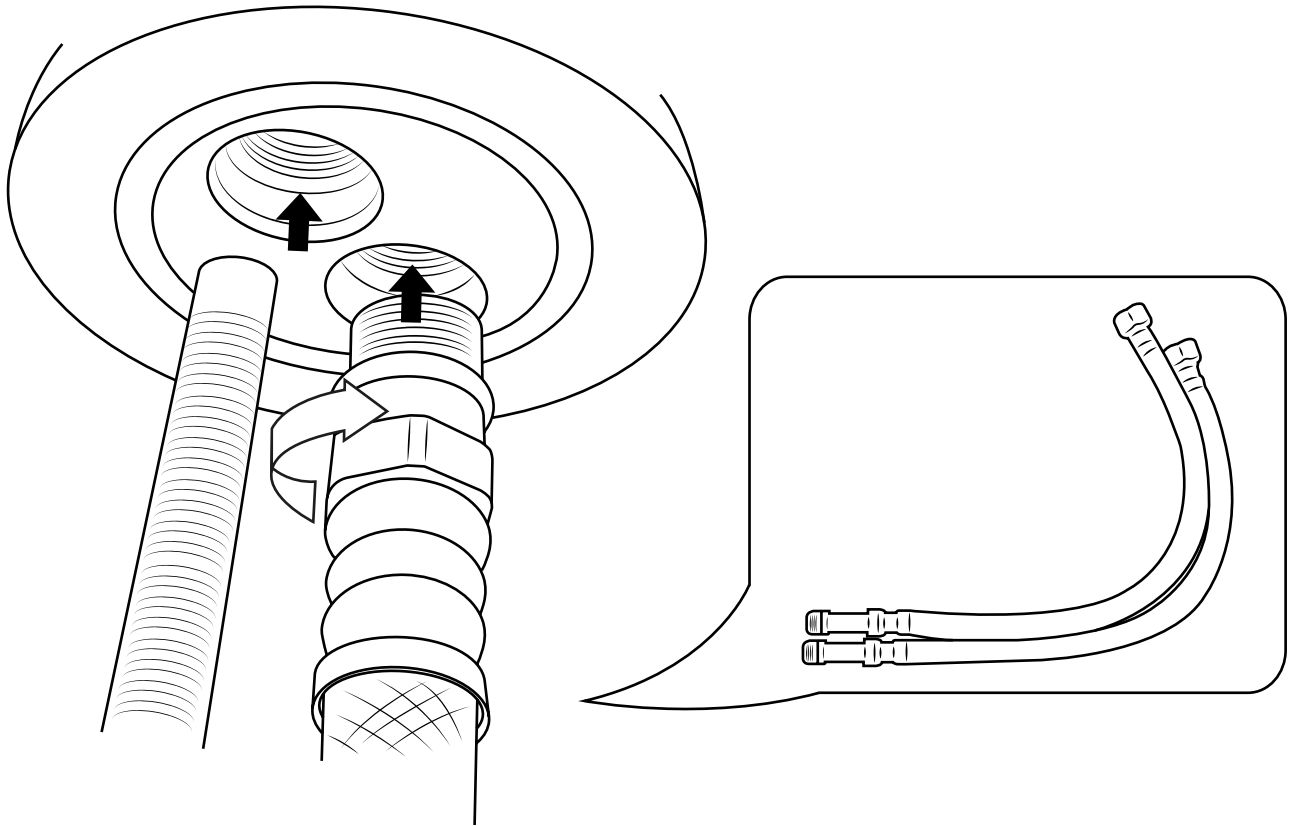
Remember to install the 'O' ring or washer between the mixer body & worktop

Ø 35mm

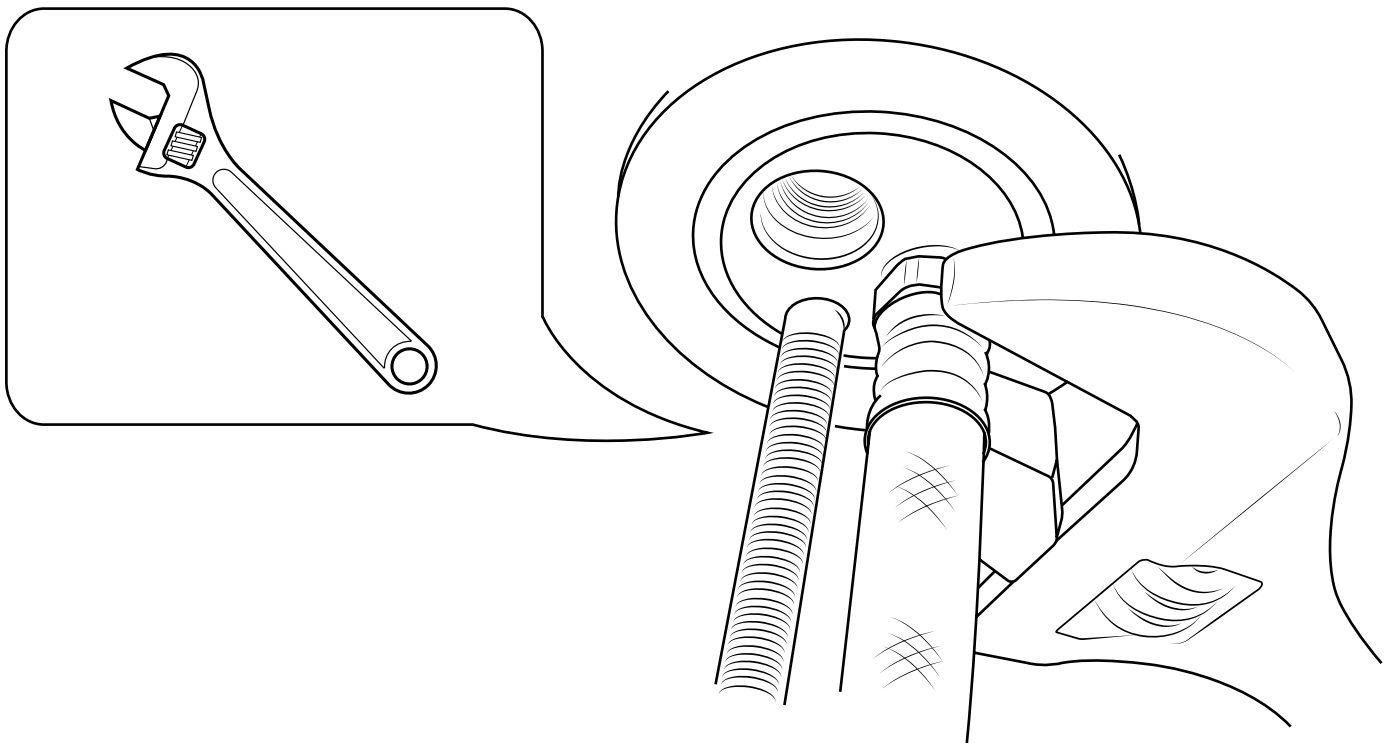
4



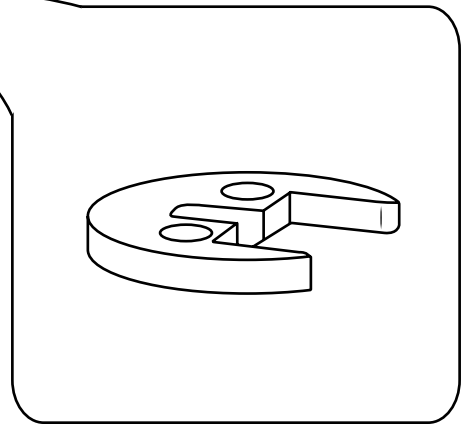
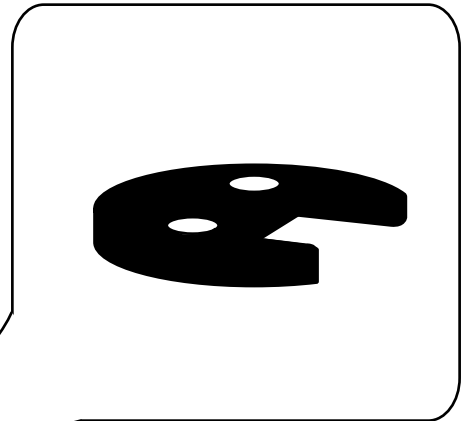
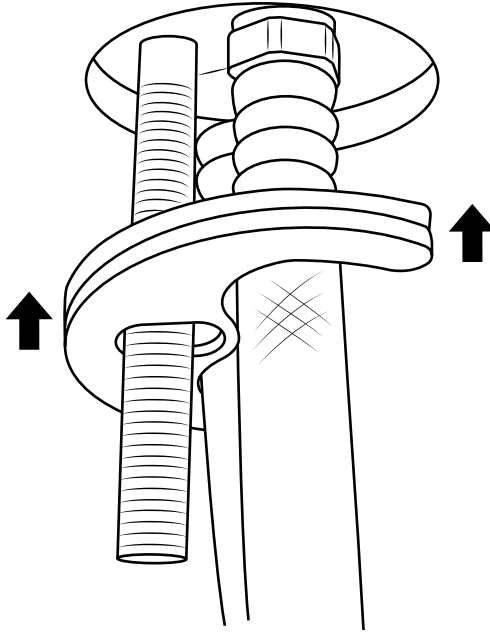
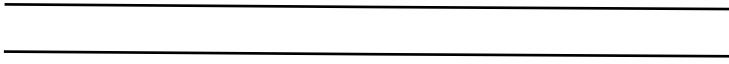
5



6



7



8

