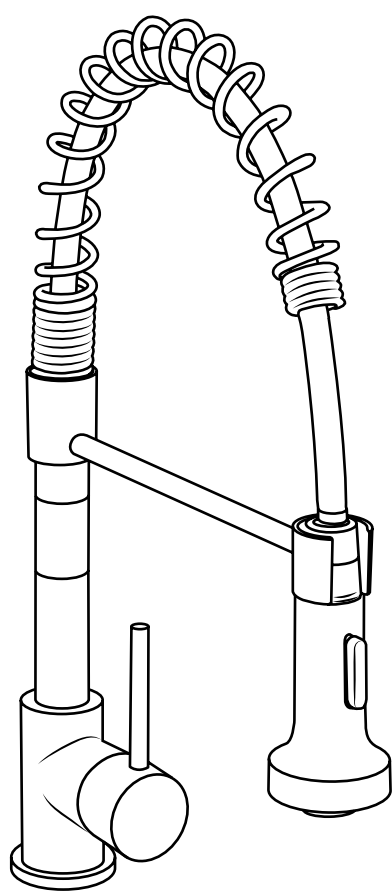


Milano

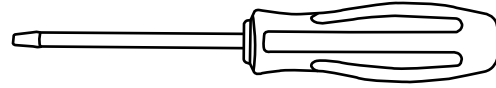
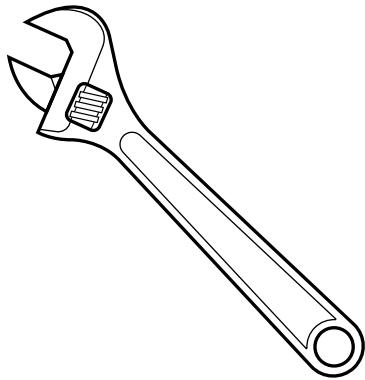
Pulldown Kitchen Tap



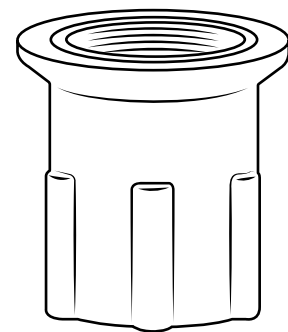
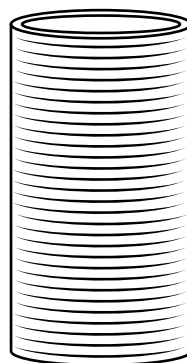
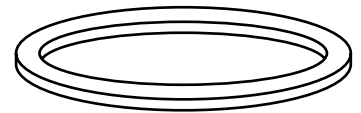
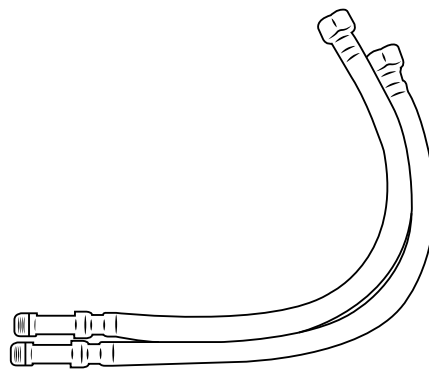
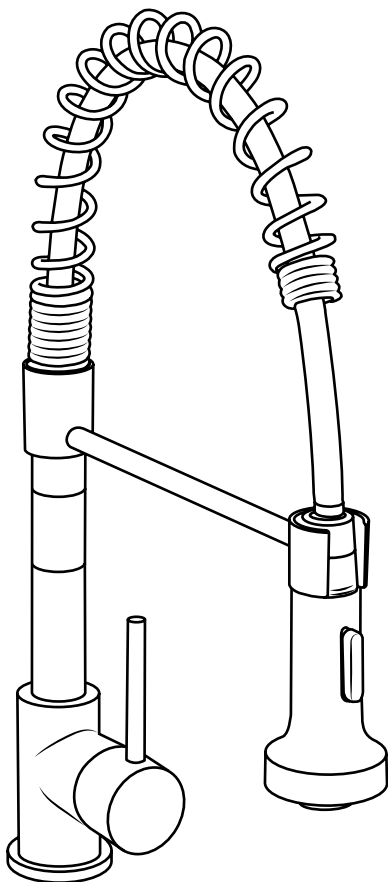
Installation Guide

Installation

Tools required for installing:



Parts included:



x2



x2

Optional 1/2"
to 3/8" adapters

