

Milano

Freestanding Bath

Installation Guide

Contents

Safety Information **Page - 2**

Installation **Page - 2**

Warranty Information **Page - 4**

Recycling & Disposal **Page - 4**

Safety Information

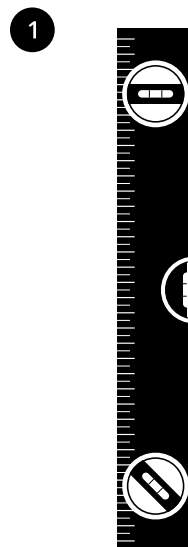
Please read carefully...

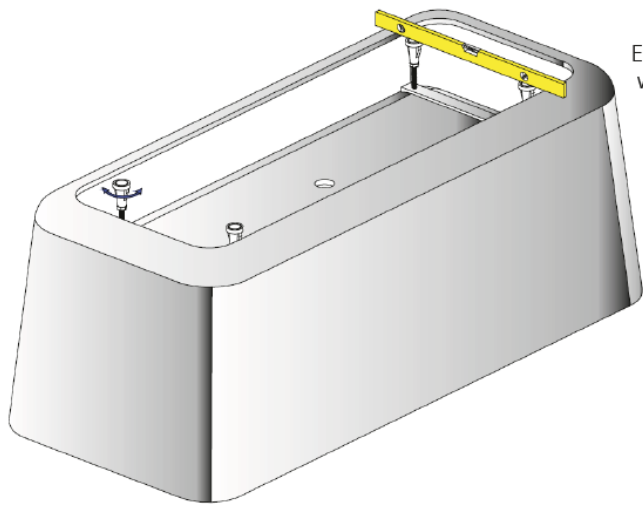
- ✓ Check the product for defects before installing.
- ✓ This bath must be installed on a stable and level surface.
- ✓ Recommend two man installation.

Installation

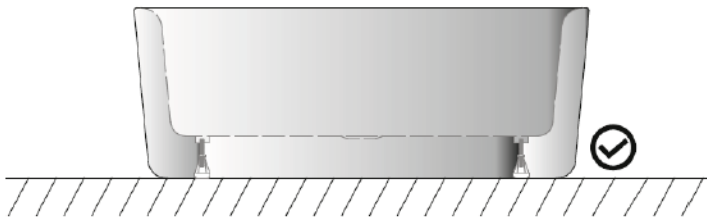
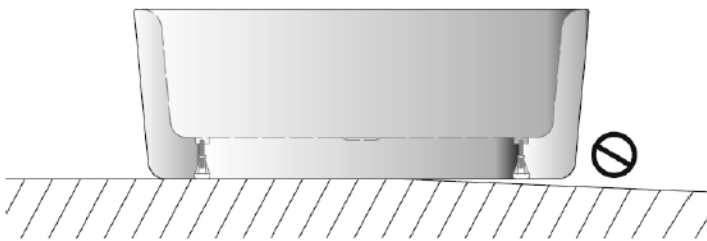
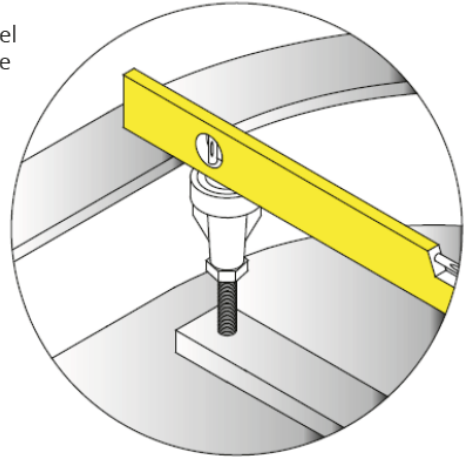
Tools required for installing:

1. Spirit level

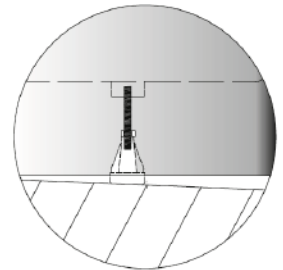
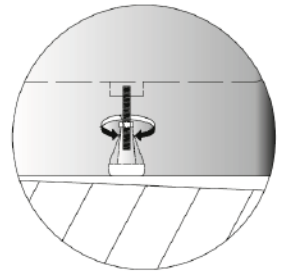




Ensure Legs are level with the base of the bath



Check that the bath sits flat, if required adjust legs to compensate for floor level.



Warranty Information

- *This product is covered by a 5 year guarantee.*
- *The guarantee starts from the date of purchase.*
- *The guarantee covers you against issues caused as a result of manufacturing related issues, it does not apply to issues that are found to be a result of poor installation.*
- *Labour costs for installation of the product are not covered under this warranty.*

Aftercare

Clean any marks with a soft dry cloth, for stubborn stains please clean with mild soapy water and buff out with a soft cloth.

DO NOT use abrasive or acidic cleaners, if you are unsure, please contact us first.

Recycling & Disposal

Please recycle / dispose of this product in accordance with your local council / government guidelines.

Contact Us

MILANO

Unit 1&2

Burnley

BB11 5UB