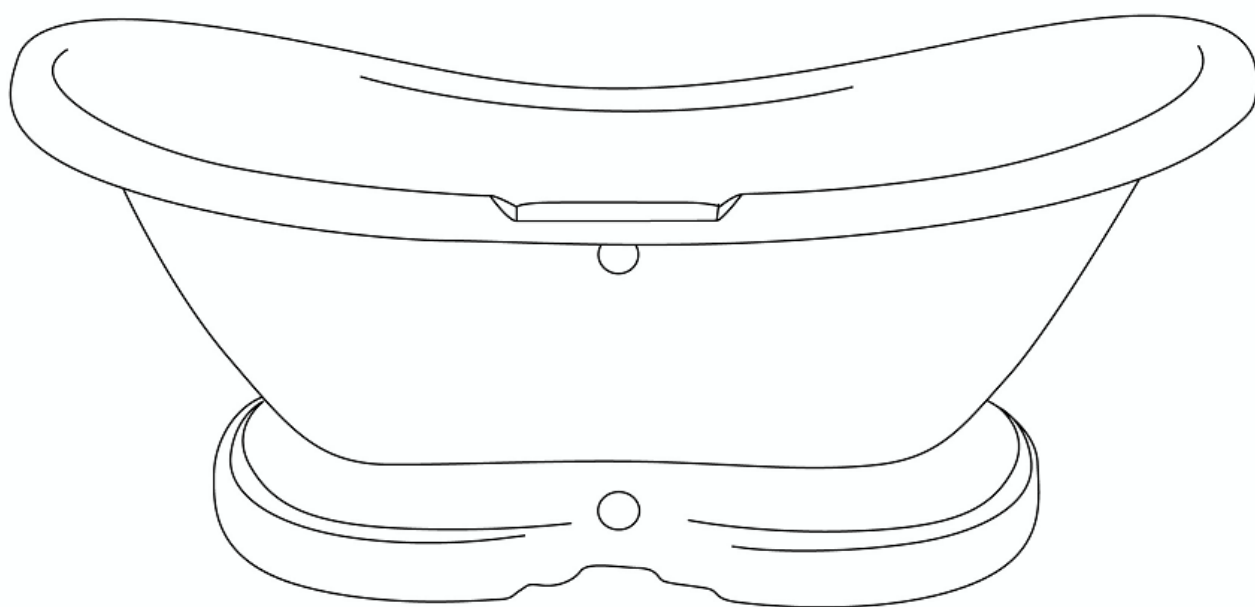


# Milano

Freestanding Bath

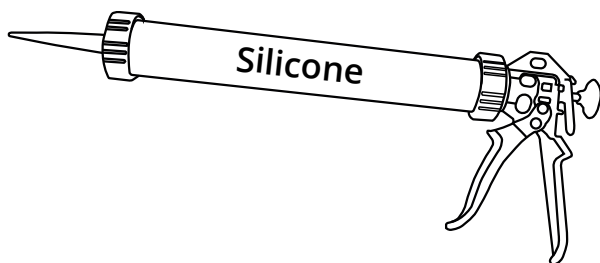
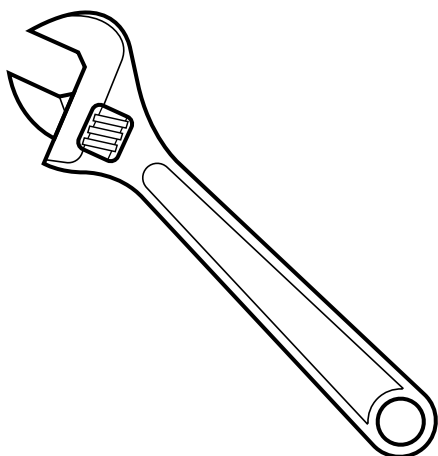
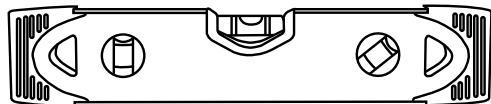


Installation Guide

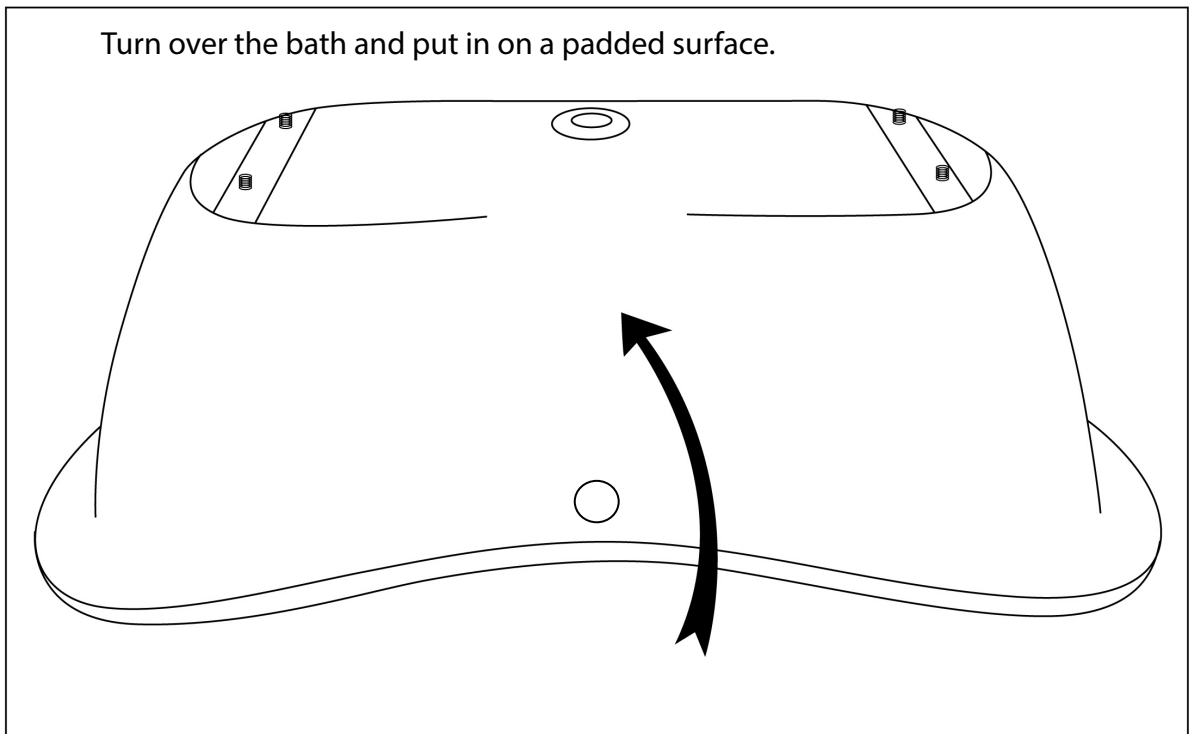
# Installation

---

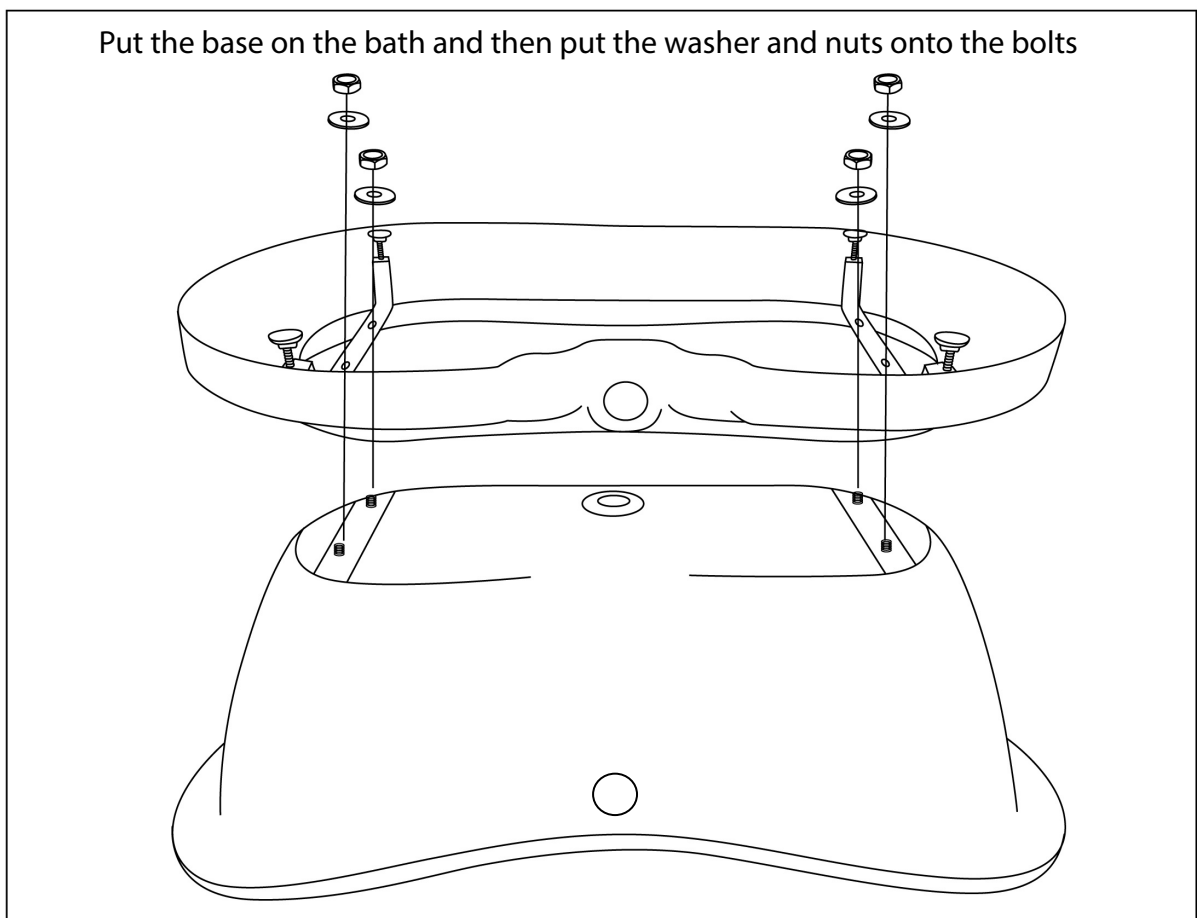
*Tools required for installing:*



1

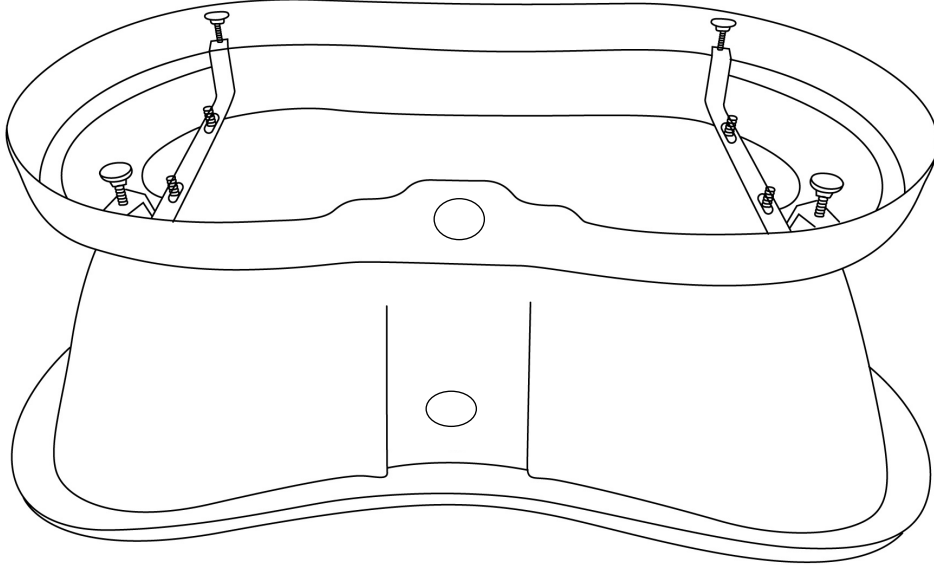
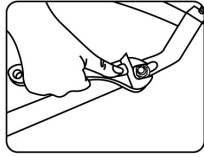


2



3

Tighten the nuts securely with wrench. Be careful not to overtighten



4

Return the bath to the upright position

