



Electric HTR with Fan Assist Installation Guide

Contents

Intended use & Safety Information **Page1**
Installation Safety Information **Page 2**
General Information **Page 2**
Heater Installation **Page - 3**
Electrical Installation **Page 3**
Heater Controls **Page - 4**
Remote Control **Page - 5**
Connecting to Mobile or Tablet **Page 5**
Using The ECO App **Page 6**
ERP Requirements **Page 7**
Technical Information **Page 7**
Your Guarantee **Page - 8**
Aftercare **Page - 8**
Recycling & Disposal - **Page 8**
Contact Us **Page - 8**

Intended Use & safety Information

Please read carefully...

This product is intended for use in domestic or commercial environments such as homes, shops, hotels etc.

This product is not intended for use in a corrosive or explosive atmosphere (dust, vapor or gas)

This appliance can be used by children aged from 8 years and above and persons with reduced physical, sensory or mental capabilities or lack of experience and knowledge if they have been given supervision or instruction concerning use of the appliance in a safe way and understand the hazards involved. Children shall not play with the appliance. Cleaning and user maintenance shall not be made by children without supervision.

Children ages from 3 years and less than 8 years shall only switch on/off the appliance provided it is placed or installed in its intended normal operating position and they have been given supervision or instruction concerning use of the appliance in a safe way and understand the hazards involved.

Children aged from 3 years and less than 8 years shall not plug in, regulate and clean the appliance or perform user maintenance.

Children of less than 3 years should be kept away unless continuously supervised.

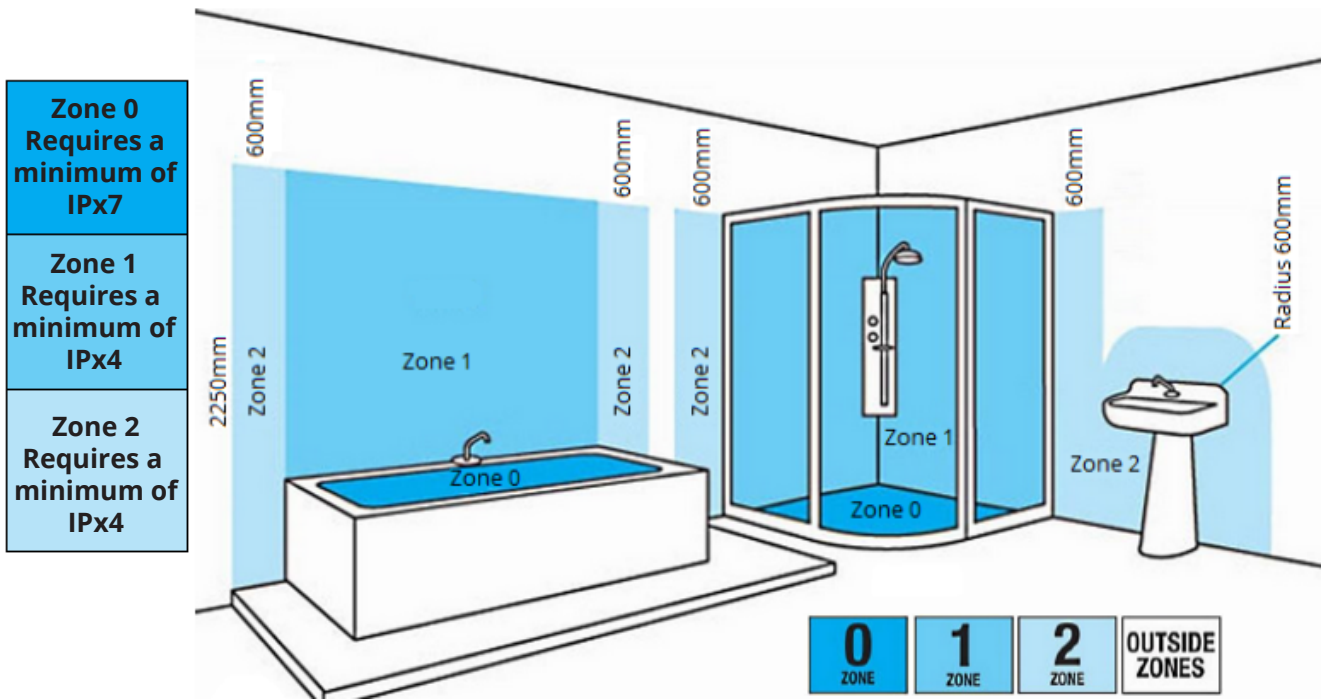
This product should be installed by a qualified installer in accordance with all applicable local regulations and connected to an electrical output in good condition.

Extension leads or plug adapters should not be used in order to supply power to this product.

The element cord cannot be replaced. If the cord is damaged the element should be removed and disposed of.

This product can be installed in zone 1 - 3 or outside the zones when installing in a bathroom, all local regulations should be adhered to.

The use of this heater in zones 0 is totally prohibited, if unsure seek advice from a professional.



The heated towel rail can be installed in bathrooms in zone 1, 2 and outside the zones as defined by applicable law, subject to any additional regulations concerning electrical installations in wet areas.

Installation Safety Information

Always disconnect the power before installing. If in any doubt contact a qualified or fully competent person.

If the HTR is purchased with a plug the product should only be connected to a power outlet in good condition.

Local electrical regulations must be adhered to with a permanent installation (cable connection without plug).

When connecting the HTR ensure that the circuit has a 30 mA residual-current circuit breaker and an appropriate over current circuit breaker.

With a permanent installation (cable connection without plug) it is also mandatory to have a cut-off device (fused spur) for disconnecting the device on all poles, by points of contact with the clearance of 3 mm.

Please pay attention to the safety zones if installing in a bathroom.

This product must not be located immediately below a socket outlet.

WARNING: Do not cover the fan while it is running.

WARNING: The surface of this HTR will reach high temperatures during operation. Avoid skin contact.

Allow the HTR to run in a well ventilated area for 2-3 hours to eliminate all manufacturing wastes.

General Information

Do not throw away packaging until you have located and confirmed that you have all included parts and the product is in good condition, keep all packaging away from children.

Check the device for damage before installation and on a regular basis. If any damaged is found on the element it should not be used, if any damage is caused once installed or during installation the device should be switched off and disconnected immediately.

Keep the power cord away from any hot surfaces of the HTR. This product has no serviceable parts, never dismantle the product as this will invalidate the warranty and could lead to injury.

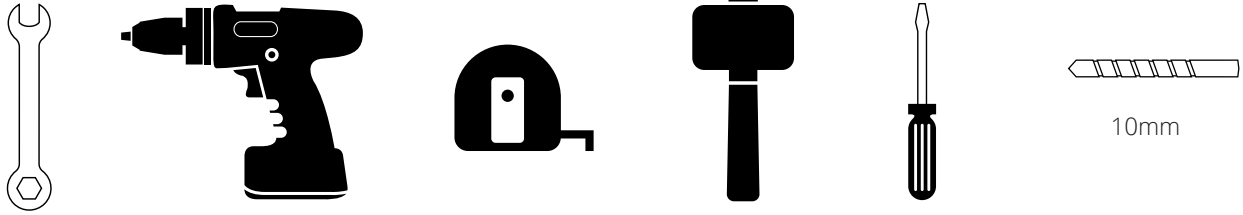
Please read the full manual before installing.



Do not Cover
Risk of overheating

Installation

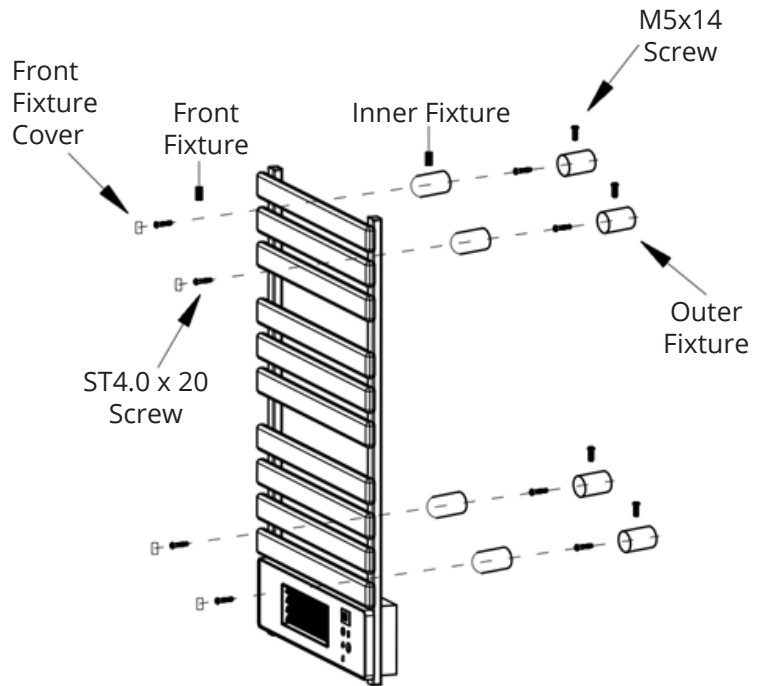
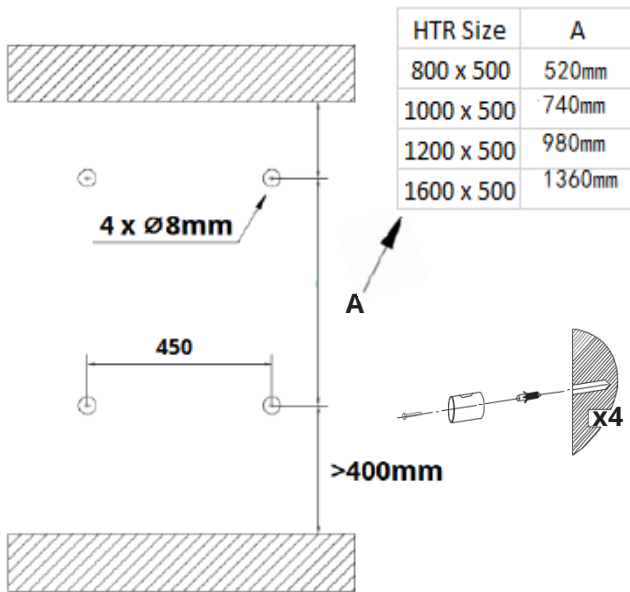
Tools required for installing:



WARNING – Do not attempt to operate the product before it has been installed.

We recommend that the fuse is withdrawn or circuit breaker switched off at the distribution board while work is in progress.

Always install with the control panel at the bottom



Electrical Installation

Once the radiator is fitted, the radiator can then be wired into the mains, this must be done by a qualified or competent person in accordance with local electrical wiring regulations.

Wiring Diagram for Single Phase Supply (230VAC 50Hz)

The element must be wired via a fused connection and on a 30mA RCD

For HTRs fitted with a UK/EU plug use a socket that is in good condition and suitably rated for the heater.

HTR Controls

Plug in the heater or if hardwired switch on via the fuse spur, turn on heater via on/off switch located on the side of the control panel, the heater will beep to indicate power to the heater.

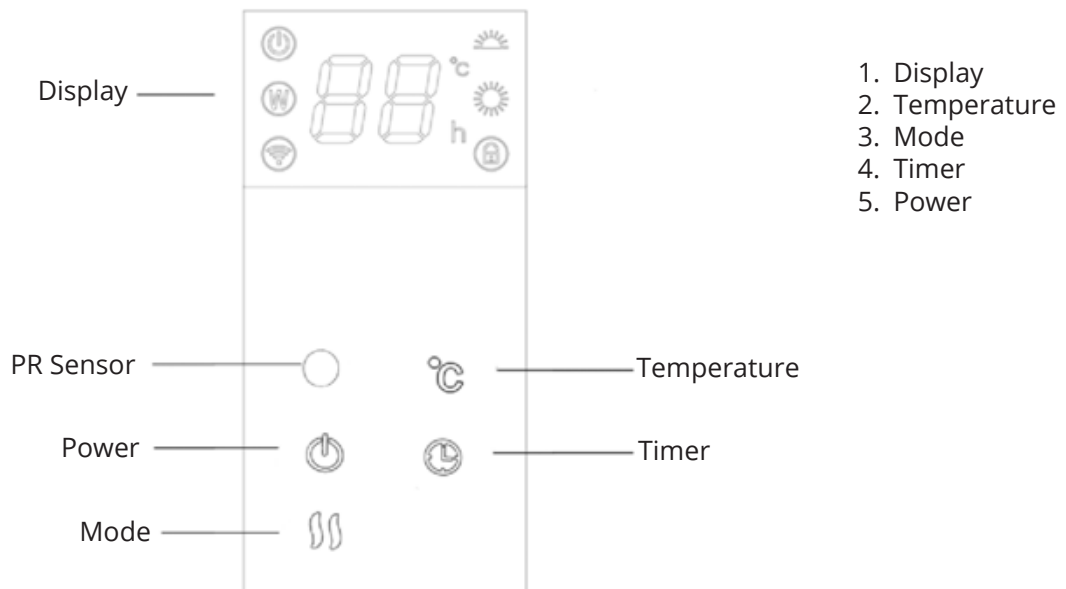
Turn on the heater by pressing the power button on the control panel the LED display will show the room temperature, to set the power, temperature and time use the touch control on the control panel or remote control.

If the appliance is not used for a long periods, switch off with power switch and unplug the heater.

TOUCH CONTROLS AND REMOTE CONTROL OPERATION

Operation for Touch Control

The touch screen buttons located on the product correspond to the remote control functions.




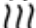
Power

When the product is turned on, press the “power” button, the upper part of the display shows the temperature.

The heater will be working in low power heating conditions.

Mode

 Low level heating, heated towel rail only.

 High level heating both heated towel rail and fan unit.

Setting the Temperature

Press temperature button to set the temperature, the temperature range can be set from 5°C to 40°C.

The internal temperature is displayed every time the appliance is started up.

The temperature can be set when the appliance is in stand-by or heating mode.

When the room temperature reaches the set level, the higher level temperature will stop and the low temperature will remain active.

When room temperature is 2 degrees over the set temperature, both the higher and lower temperature levels will stop operating.

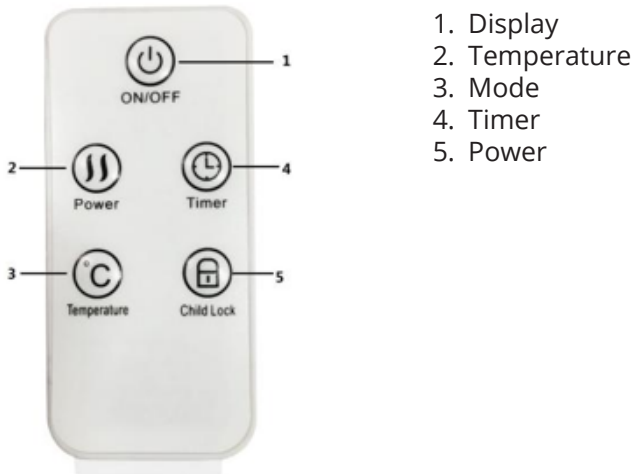
The heater will begin operating again only when the temperature decreases by 2 degrees from the set temperature.

Timer

The timer function can be set to start or stop the appliance at the desired time, the time intervals are between 1 hour and 24 hours.

Operation for Remote Control

The touch screen buttons located on the product correspond to the remote control functions



Child Lock

Pressing the child clock button for 3 seconds will lock the heater, if the child lock is on the heater can only be switched on.

To unlock, press child Lock button for 3 seconds.

The child lock can also be turned on via the touch pad on the heater by pressing the temperature button for 5 seconds.

Operating sounds

The heater emits a beep upon each operation setting.

Connecting to Mobile or Tablet:

Downloading The ECOSO App:

1. Search for the ECOSO APP in the Google Play store or Apple Store.
2. Ensure your smart phone is connected to your home WIFI network.
3. Install the ECOSO APP and follow instruction to register account.

Pairing the Heater:

1. Ensure the heater is switched on, and the indicator light is flashing.
2. Open the ECOSO APP and login.
3. Tap the + button in the top right corner of the App and 'Add Device', the App will then search for nearby devices, once the heater is found select the heater and follow the on screen instructions, once the heater has added tap 'Done', the App will then return to the home screen showing the heater.
4. Once connected the WIFI icon will stop flashing.

Note: If the indicator light is not flashing press and hold the temperature button for for 3 seconds.

Using The ECO App

You can use the app to control multiple devices. The status of your devices is shown on the device list.

Tap on the the device to enter the device home screen.

Scheduling your Heating:

You can program your heating by creating a schedule, tap weekly timer & Add Schedule:

1. Choose the day you want your schedule to run.
2. Set a function (Switch) On or Off
3. Set a time.
4. Choose a temperature, set temperature is 5 - 40°C.
5. Select a Mode, High/Low, high will be HTR and fan, low will be just the HTR.
6. Make sure you confirm your settings at every stage by tapping save.
7. To add further schedules tap Add Schedule and repeat the process.
8. Once the schedule has been set they will show in the timer screen.

Each event will appear in your weekly timer screen. You can activate and de-activate events using the toggle. The heater will heat at whatever mode it is set to.

Note, if you change the heater's setting during an event, i.e. turning it on when it is scheduled to be off - the heater will remain as it is until the next scheduled event.

Timer:

To set the countdown timer, tap Timer, you can select from 1 to 24 hours, the heater will revert back to the selected mode once the time has elapsed.

Set Temperature:

Tap the + - to turn the heater temperature up/down

Child Lock:

To set the Child lock tap the padlock, to de-activate press again.

Me Tab:

The Me tab gives you the option to edit both your details, and use the added features of the unit.

Home Management:

Home Management provides options for managing your ECOSO account, giving options such as creating a home, adding and removing rooms, and sharing devices with family.

Message Centre:

View notifications from devices, if alarms are set up (dependent on device)

FAQ & Feedback:

Provides assistance using the features provided within the app

Smart Features:

The "Smart" section of the ECOSO app allows you to add functions that make your heating easier and more intuitive to control. The Smart section can be reached by tapping Scenes at the bottom of the app.

Scenes - Automation & Tap to Run:

Scenes are customizable commands that bring all your devices together to perform set actions. They appear as shortcuts on the app offering a quick and easy means of co-ordinating your heating, for example All on/All Off, Set all to 21 degrees.

ERP Requirements

Model	HTRF500800W	HTRF5001000W	HTRF5001200W	HTRF5001600W
Heat output				
Nominal heat output (P _{nom} /kw)	1.8	2.0	2.1	2.2
Minimum heat output (indicative) (P _{min} /Kw)	0.3	0.5	0.6	0.7
Maximum continuous heat output (P _{max.c} /kw)	1.8	2.0	2.1	2.2
Auxiliary electricity consumption				
At nominal heat output (e _{lmax} /KW)	N/A	N/A	N/A	N/A
At minimum heat output (e _{lmin} /KW)	N/A	N/A	N/A	N/A
In standby mode (e _{lSB} /W)	0.00076	0.00076	0.00076	0.00076

Control options (multiple selections possible)	
Manual heat charge control, with integrated thermostat	No
Manual heat charge control with room and/or outdoor temperature feedback	No
Electronic heat charge control with room and/or outdoor temperature feedback	No
Fan assisted heat output	Yes
Single stage heat output and no room temperature control	No
Two or more manual stages, no room temperature control	No
With mechanic thermostat room temperature control	No
With electronic room temperature control	No
Electronic room temperature control plus day timer	No
Electronic room temperature control plus week timer	Yes
Room temperature control, with presence detection	No
Room temperature control, with open window detection	Yes
With distance control option	Yes
With adaptive start control	No
With working time limitation	Yes
With black bulb sensor	No

Technical Information

Heater Size	Towel Rail (w)	Fan (w)	Total (w)	Appliance class	Timer mode	IP rating	Voltage
790*555mm	300	1500	1800	Class I	1 - 24 hours	IPX4	220-240VAC 50Hz
1010*555mm	500	1500	2000				
1245*555mm	600	1500	2100				
1633*555mm	700	1500	2200				

Your Guarantee

To find the specific guarantee for your products please refer to the website.

The guarantee starts from the date of purchase.

The guarantee covers you against issues caused as a result of manufacturing related issues, it does not apply to issues that are found to be a result of poor installation.

Labour costs for for installation of the products are not covered under this warranty.

Aftercare

Clean any marks with a soft, dry or damp cloth, for stubborn stains please clean with mild soapy water and dry with a soft cloth. DO NOT use abrasive or acidic cleaners.

If you are unsure, please contact us first.

Recycling and Disposal

The **Waste Electrical and Electronic Equipment Directive (WEEE Directive)** is the **European Community directive 2012/19/EU** on **Waste Electrical and Electronic Equipment (WEEE)** which, together with the **RoHS Directive 2002/95/EC**, became European Law in February 2003

The WEEE directive aims to reduce the amount of electrical equipment being produced and to encourage everyone to reuse, recycle and recover it.

In support of these guidelines and for environmental safety, do not dispose of any electrical equipment including those marked with the below symbols

When replacing old electrical devices with new ones the retailer is legally obligated to take back your old items for disposal free of charge. You can also recycle your old electrical devices free of charge at your local recycling centre. Please contact your local council for more information.

Please recycle the packaging in accordance with your local government regulations on waste handling and follow the same advice at the end of the products life.

Product - Steel.

Packaging - Cardboard, plastic, steel.



Contact us

Unit 1 & 2 Dawson Ct

Burnley

Lancashire

BB11 5UB

