



## LED Retrofit 5W GU10



### Product Overview

LED retrofit lamps are direct replacements for conventional incandescent, halogen, and compact fluorescent (CFL) lamps.

LEDs deliver higher lumens per watt (lm/W) which means significant energy savings while lasting more than ten times longer than incandescent sources. With their directional light, instant on and ability to dim, LEDs are fast becoming the light source of choice.

### Features

- More eco-valued.
- Excellent optical design, alike COB appearance.
- Reliable IC solution, automatic production.

### Safety and Maintenance

- Switch off supply before installing or removing lamp.
- Allow to cool before handling.
- Do not use in totally enclosed fittings as this will reduce lamp life.
- Do not dispose of in household waste.
- Dispose of in appropriate section of local civic amenity site or recycling centre.

## DATA SHEET

### Specifications – GU10 Cap

Lamp Cap	GU10
Nominal Power (W)	5.0
Voltage	220-240Vac 50-60Hz
Current (mA)	40
Nominal Luminous Flux (lm)	350 Warm White 370 Cool White 370 Day Light
CCT (K)	3000K Warm White 4000K Cool White 6500K Day light
Nominal Lifetime (h)	15000
Dimmable	No
Switching Cycles	15000
Warm-up time to 60% (S)	0.04
Length (mm)	54
Diameter (mm)	50
Mercury (mg)	
Clean-up instructions	See website
Retrofit	Yes
Equivalent Wattage (W)	50
Rated Power (W)	5.0
Rated Luminous Flux (lm)	350
Rated Lifetime (h)	15000
Power Factor	0.40
Rated Peak Candelas (cd)	810
Lumen Maintenance Factor at	
Nominal Lifetime	15000
CRI	80
Start Time (s)	0.04
Ambient Temperature Range (°C)	-20 to 40

### Energy Label – GU10 Cap

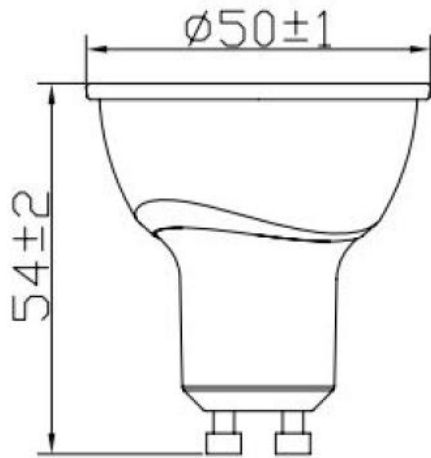
Energy Class	A+
Energy Consumption (kWh/1000h)	4.00 (4)*

\* The kWh/1000h value published on the energy label is required to be rounded up to an integer according to the EU implementing directive on Energy Labelling. The value to 2 decimal places is given for reference.

### Product Markings – GU10 Cap

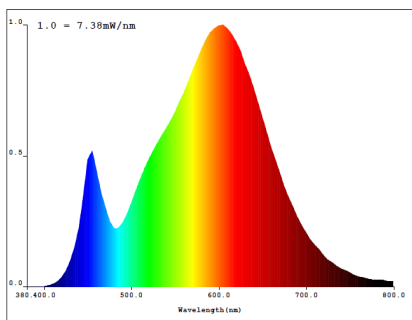
Voltage	220-240Vac 50-60Hz
Nominal Power (W)	5
Current (mA)	40
CE Mark	Yes
WEEE Mark	Yes
Batch Code	Yes

Dimensions

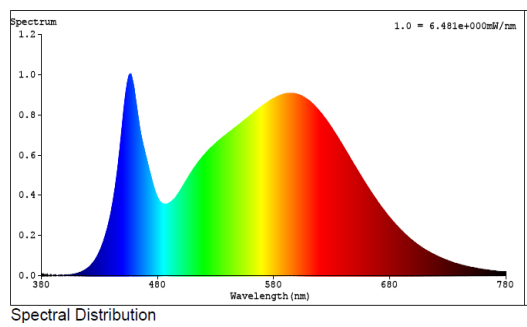


Photometric Information

3000K



4000K



6500K

