

# Milano

## Double Hinged shower Door

### Installation Guide

#### **Contents**

Glass Safety **Page - 2**

Protective equipment **Page - 2**

Parts inventory **Page - 3**

Tools Required **Page - 4**

Overview **Page - 5**

Installation **Page - 6**

Warranty Information **Page - 14**

Aftercare **Page - 14**

Recycling & Disposal **Page - 14**

# Glass Safety

---

## *Please read carefully...*

- ✓ When handling large glass panels, we recommend that two people are used to evenly carry the load.
- ✗ Avoid applying pressure to the glass as this will cause it to flex and it may shatter.
- ✓ Always place glass sheets onto a soft surface, hard surfaces may damage it.
- ✓ Install glass as per the manufactures instructions.
- ✗ Do not remove glass from the packaging until it is needed for installation.
- ✓ In the event of breakage, cordon off the area immediately to prevent injury.
- ✓ If you suspect that any part of the product is damaged, do not continue with installation, pack the product away and contact the manufacturer.

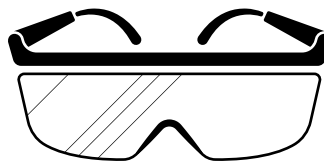
## Protective equipment

---

When handling glass it is important that the correct protective equipment is worn.

1. Eye Protection
2. Safety Gloves
3. Safety Boots

1







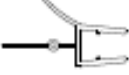









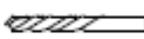
2



3

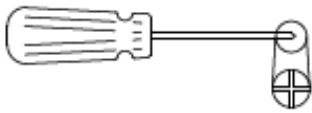
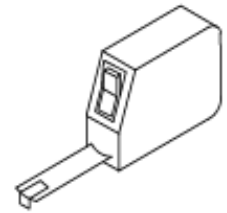
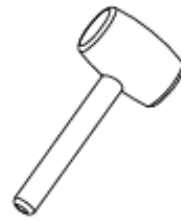
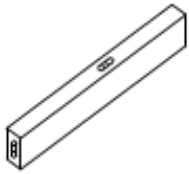


# Parts Inventory

serial number	graphical	Parameter	quantity	remarks
1		∅6	8 PCS	
2			2 PCS	
3		ST3. 9X35	8 PCS	
4			6 PCS	
5			2 PCS	
6			3 PCS	
7			2 PCS	
8		ST3. 5X9. 5	6 PCS	
9			2 PCS	
10			1 PCS	
11			1 PCS	
12			1 PCS	
13			1 PCS	
14			2 PCS	
15		∅2. 8	1 PCS	

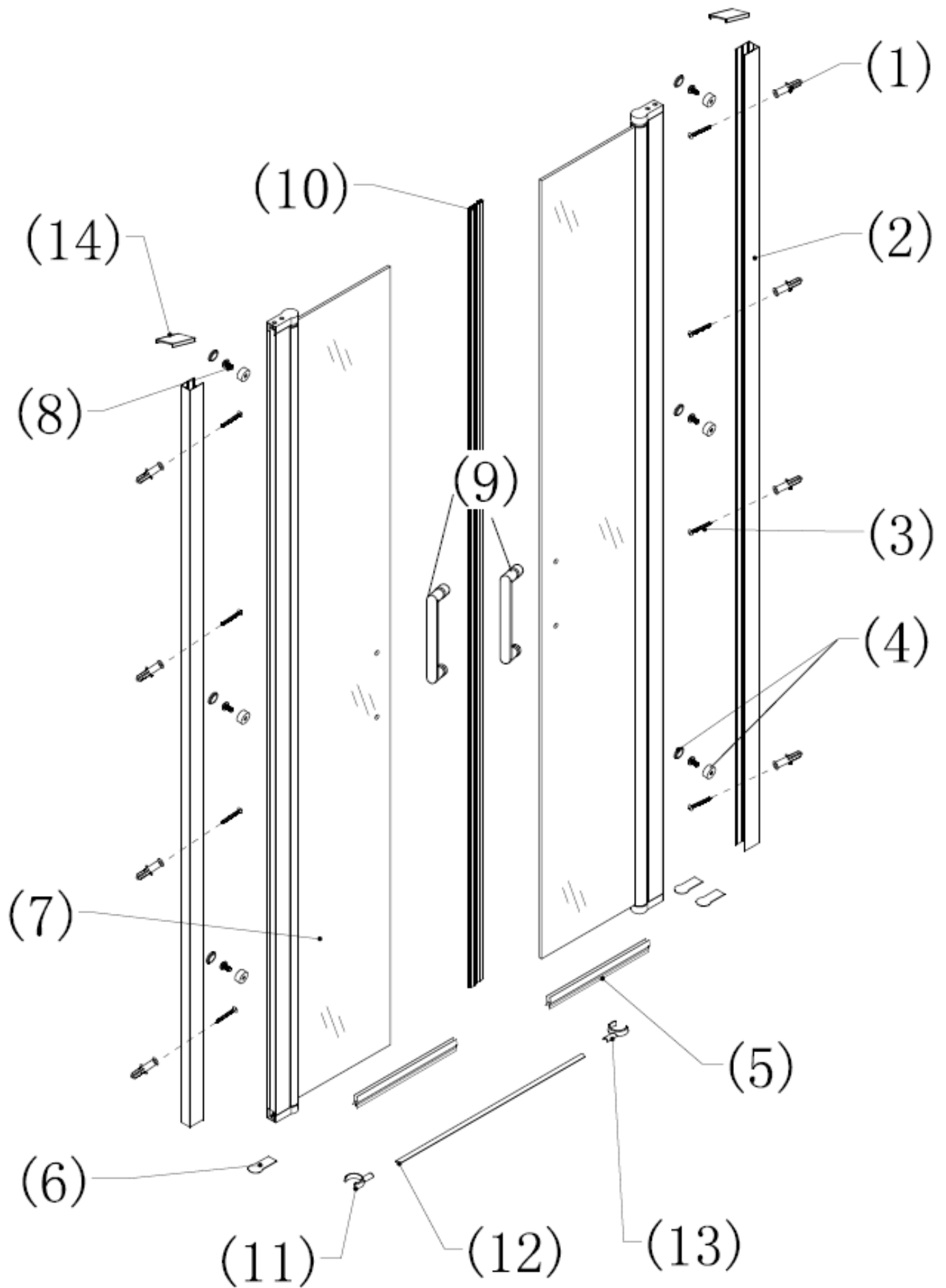
# Tools Required

---

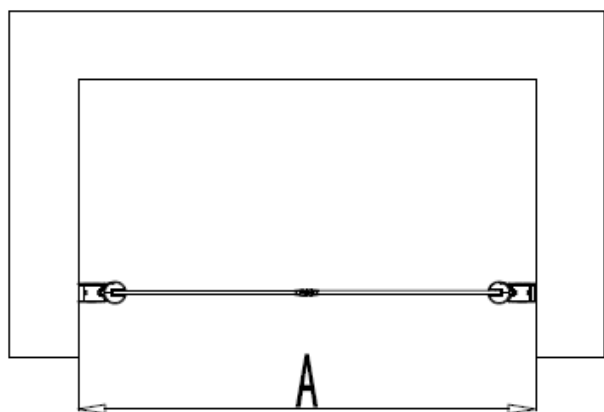


Ø6 Ø2.8

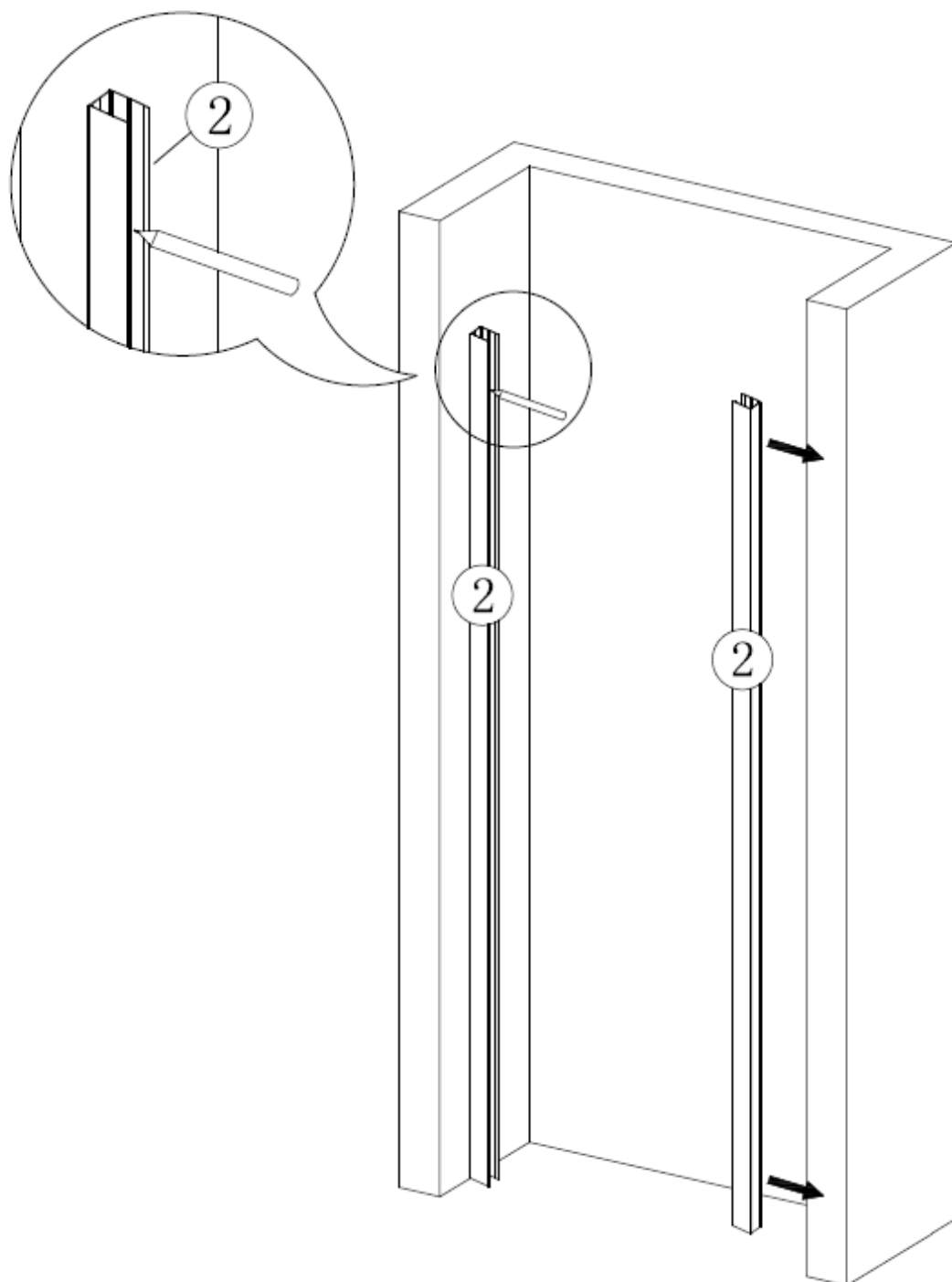


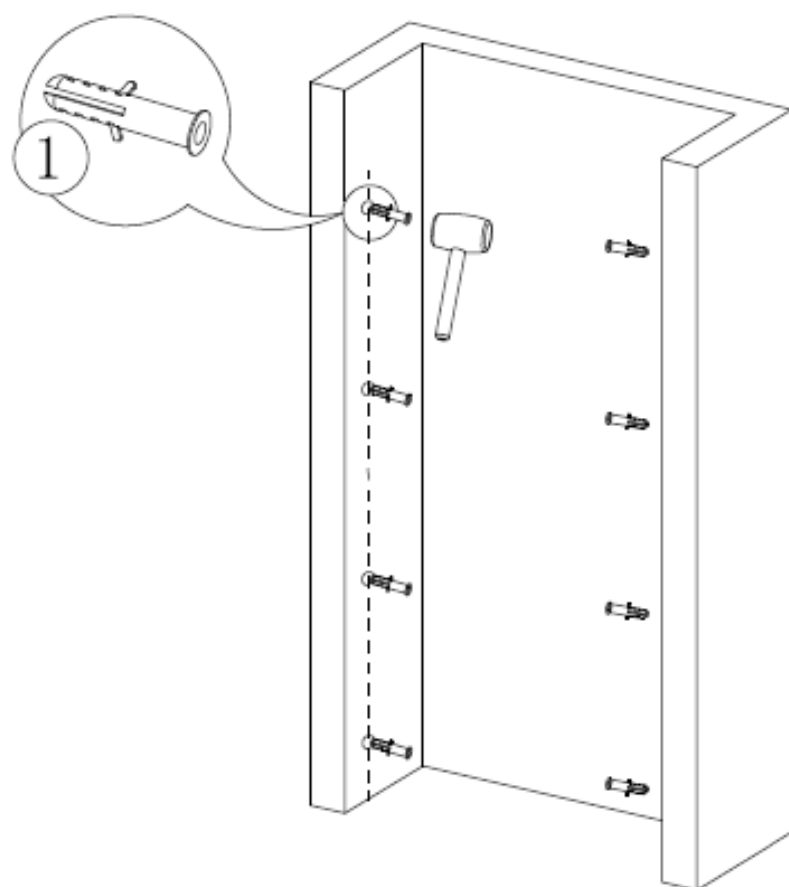
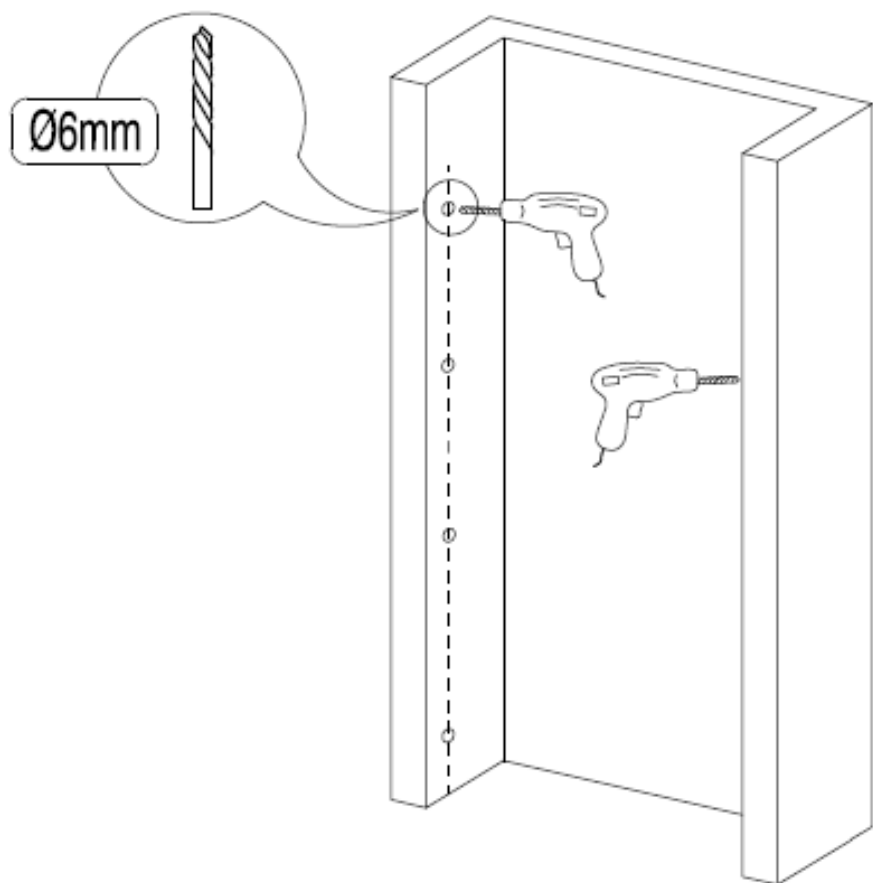


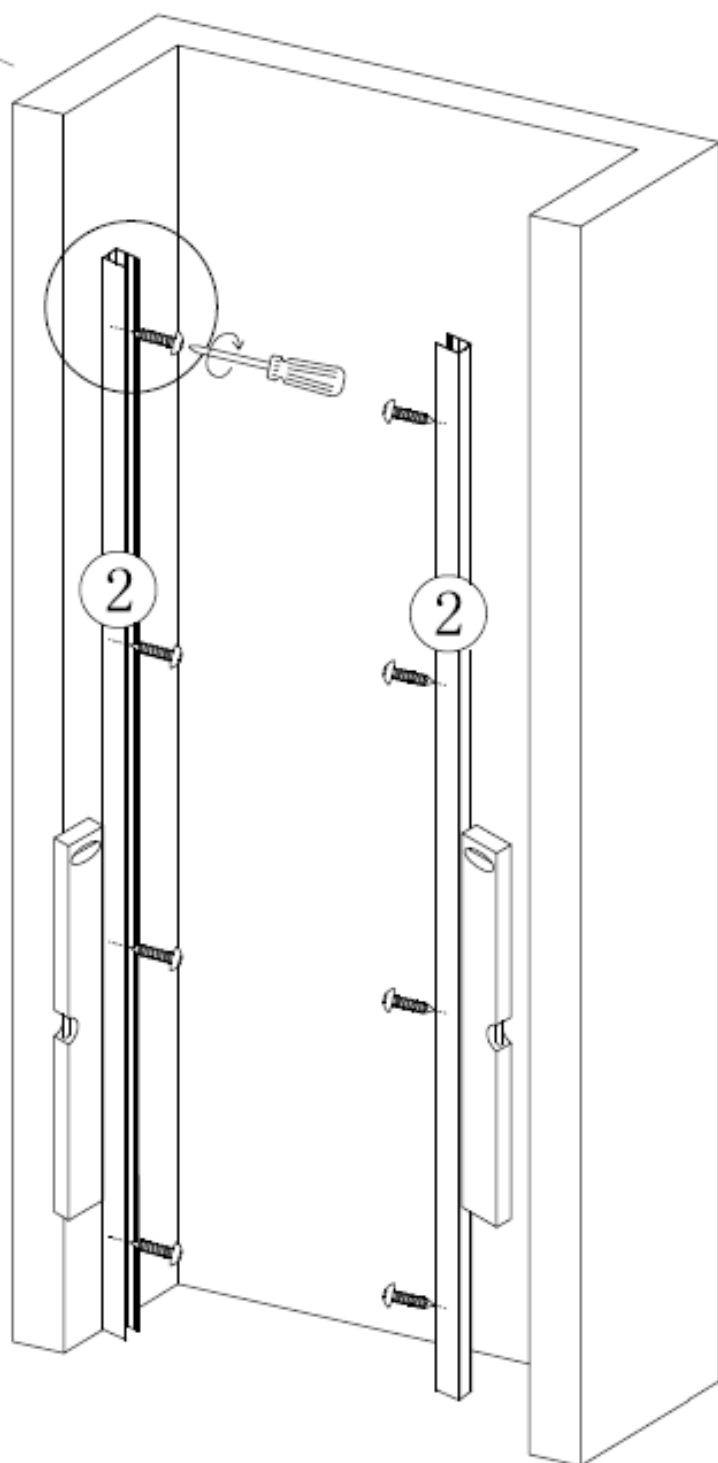
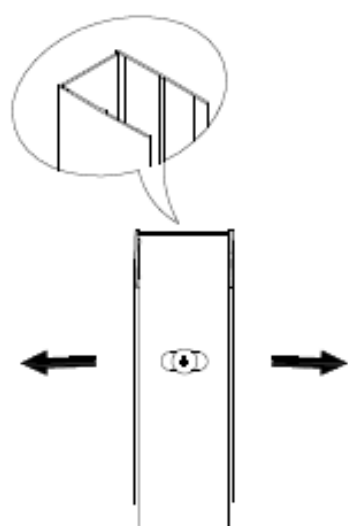
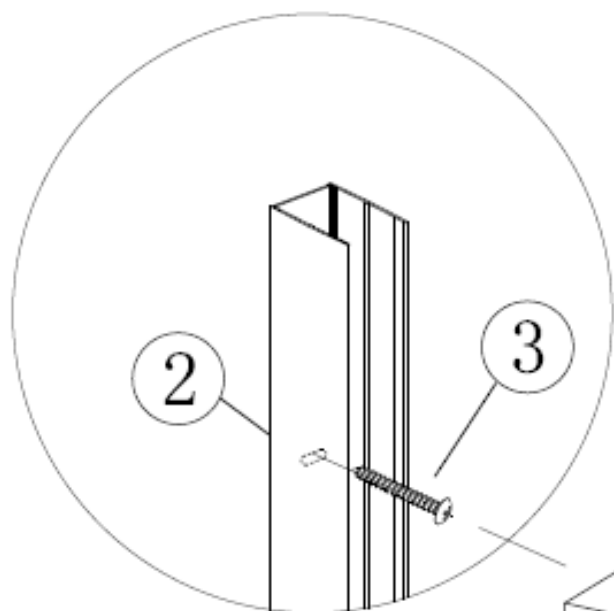
# Installation



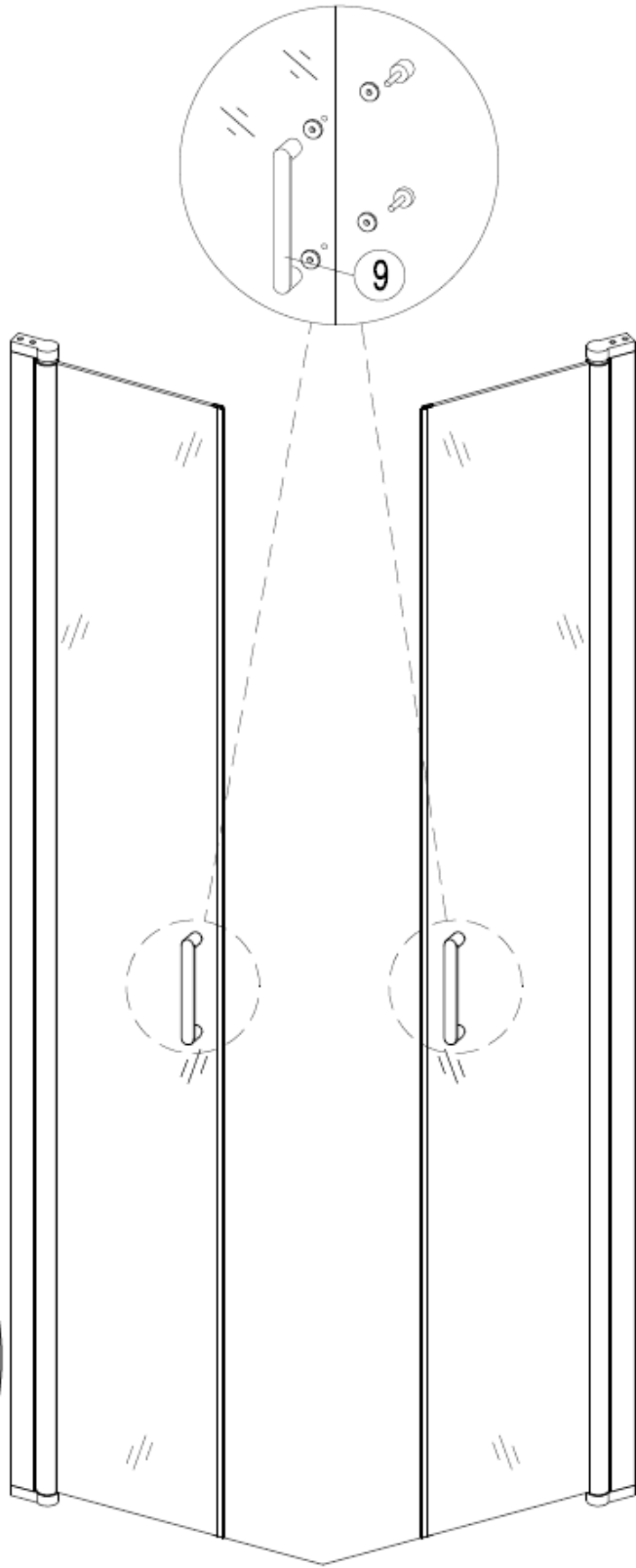
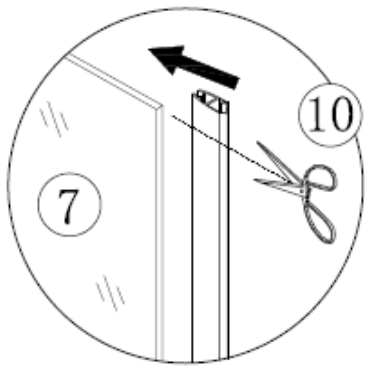
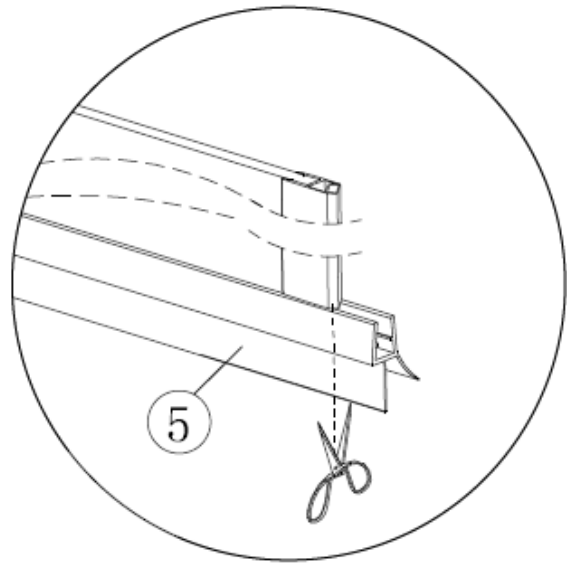
	A
800	780-820
900	880-920
1000	980-1020

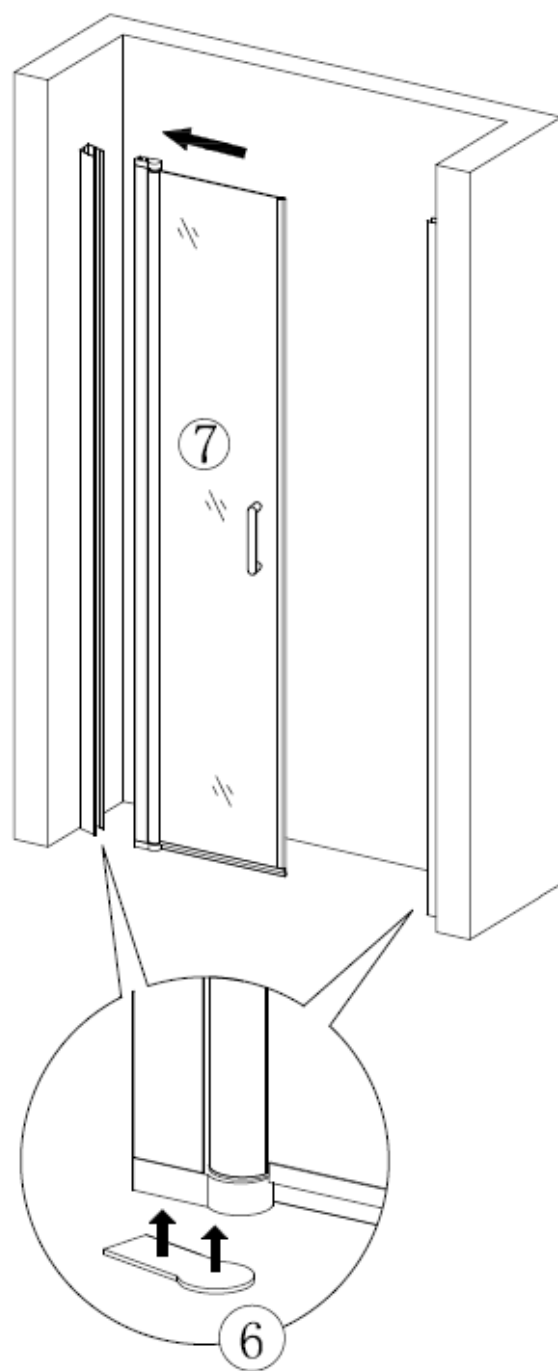
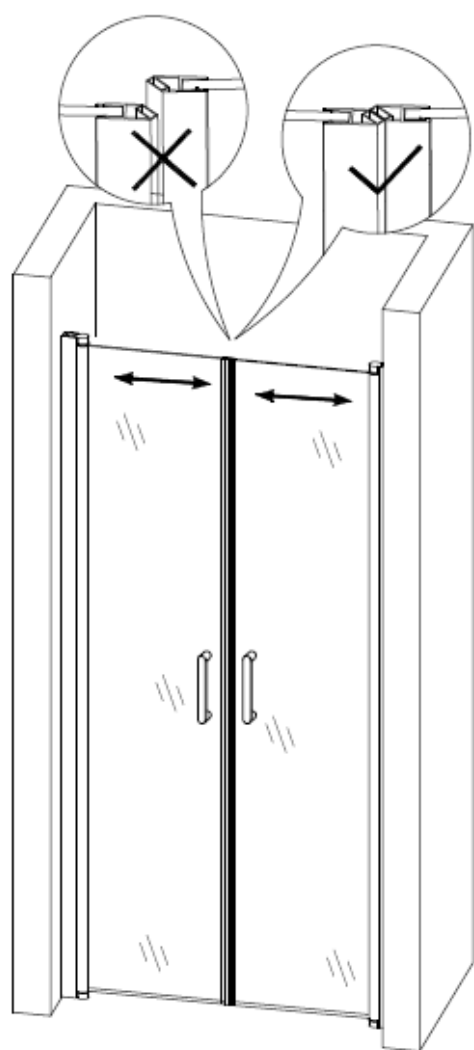


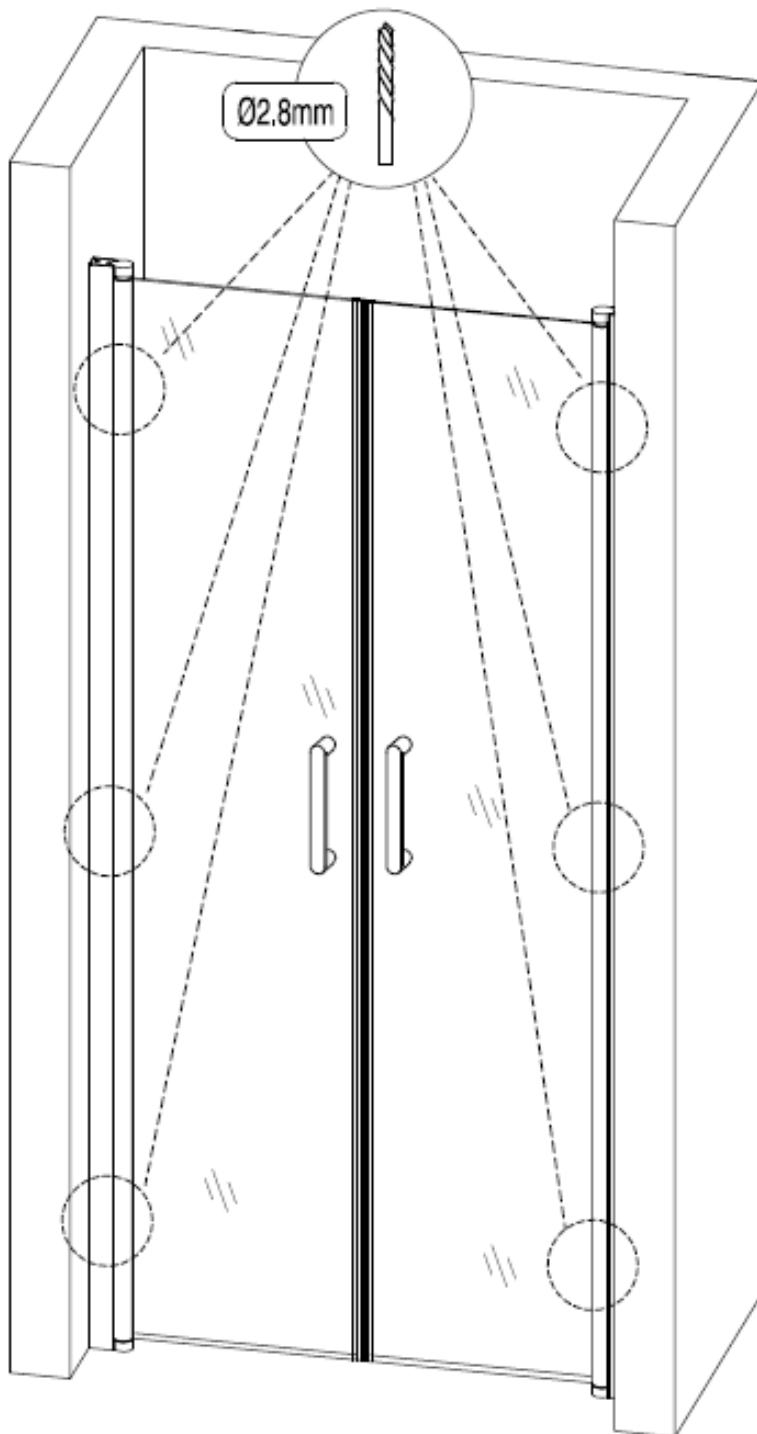
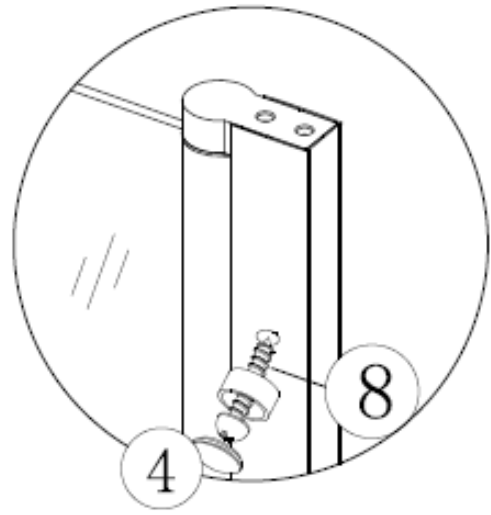


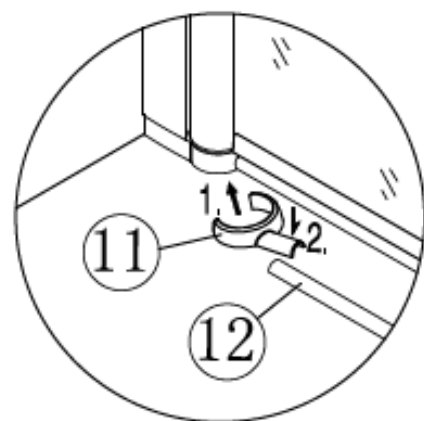
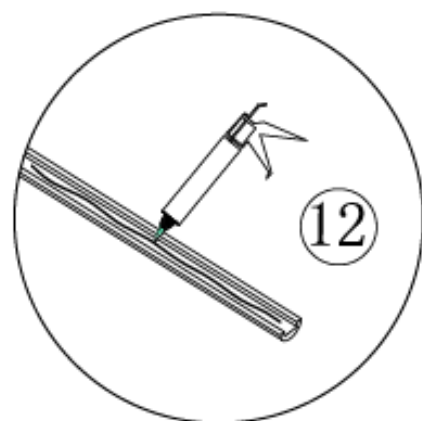
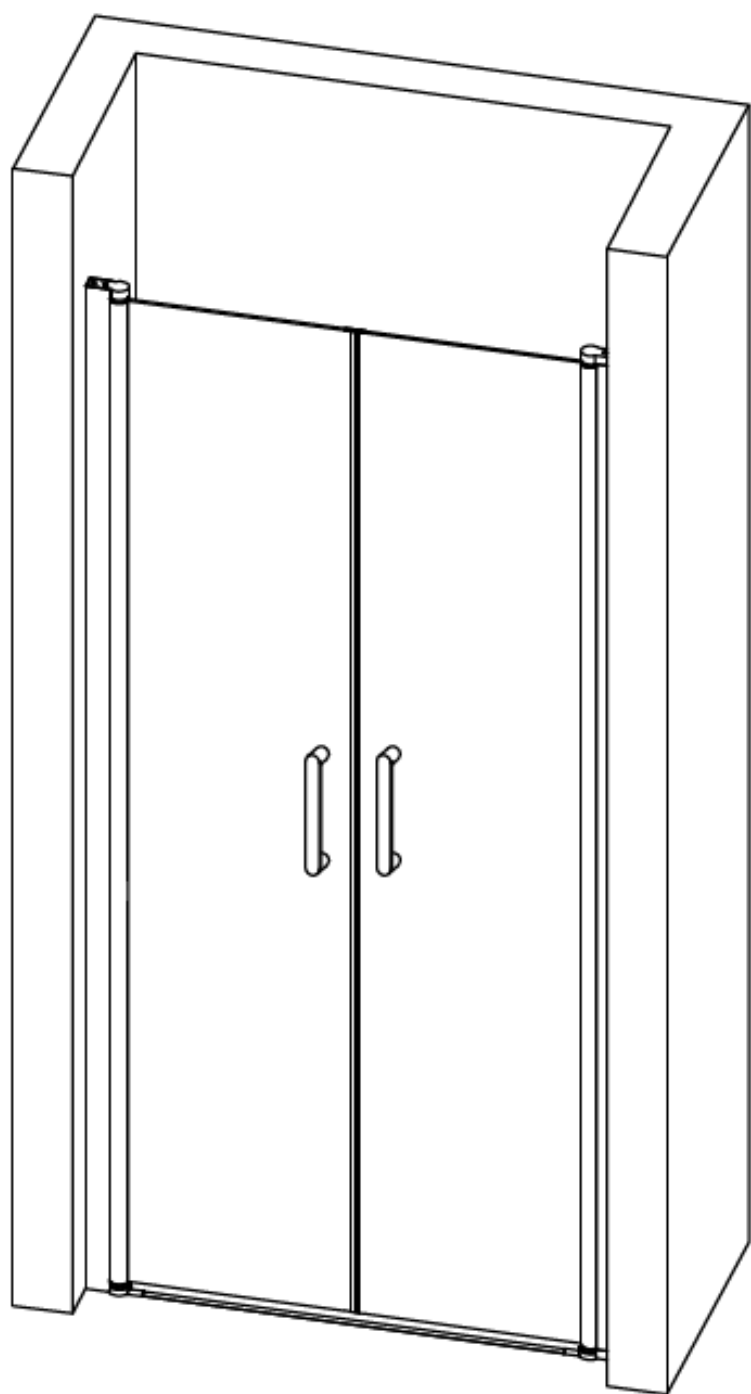
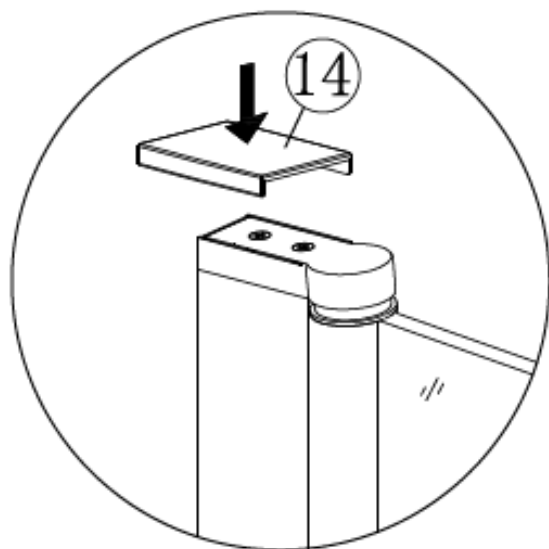


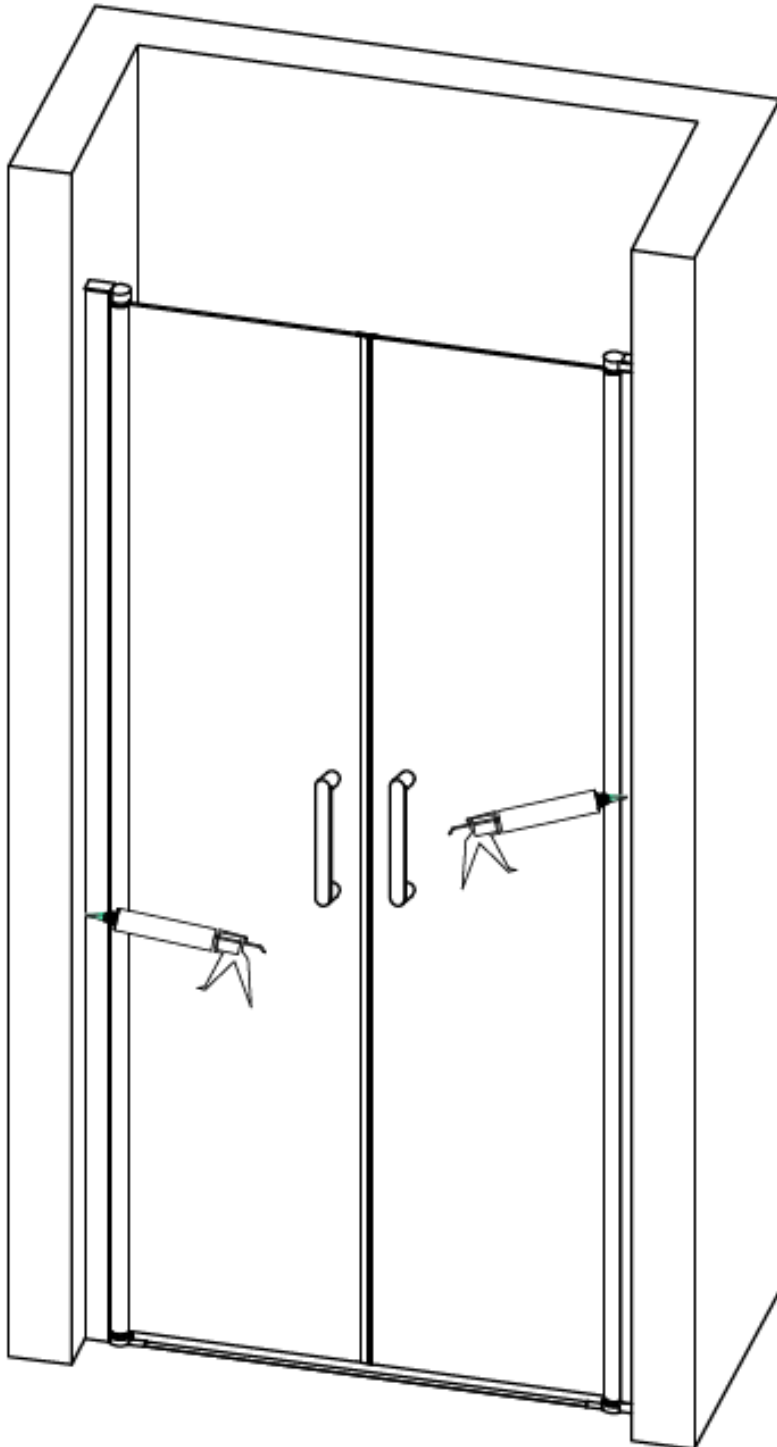












## Warranty Information

---

- *To find the specific guarantee for your product please refer to the website.*
- *The guarantee starts from the date of purchase.*
- *The guarantee covers you against issues caused as a result of manufacturing related issues, it does not apply to issues that are found to be a result of poor installation.*
- *Labour costs for installation of the product are not covered under this warranty.*

## Aftercare

---

Please clean with a soft dry cloth or chamois, do not use abrasive cleaners on the glass or metal fixings.

## Recycling & Disposal

---

Please recycle / dispose of this product in accordance with your local council / government guidelines.

## Contact Us

---

MILANO

Unit 1&2

Burnley

BB11 5UB