

# Milano

## Designer Towel Bar

### Installation Guide

**Contents**

Safety Information **Page - 2**

Installation **Page - 2**

Warranty Information **Page - 4**

Recycling & Disposal **Page - 4**

Contact us **Page - 4**

# Safety Information

---

## *Please read carefully...*

- ✓ Check that all parts are present in the box and that they are undamaged.
- ✗ DO NOT attempt to modify this product in any way.
- ✓ If you are unsure how to install this product, please consult a qualified installer or contact us directly.

# Installation

---

## *Parts needed:*

Designer Towel Bar

## *Tools required for installing:*

1. Cross head screwdriver
2. Drill
3. 8mm Drill Bit
4. Mallet

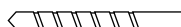
1



2

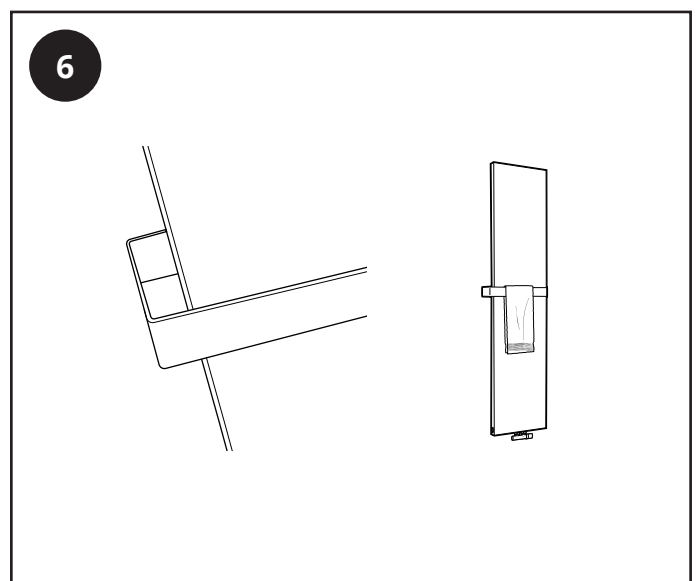
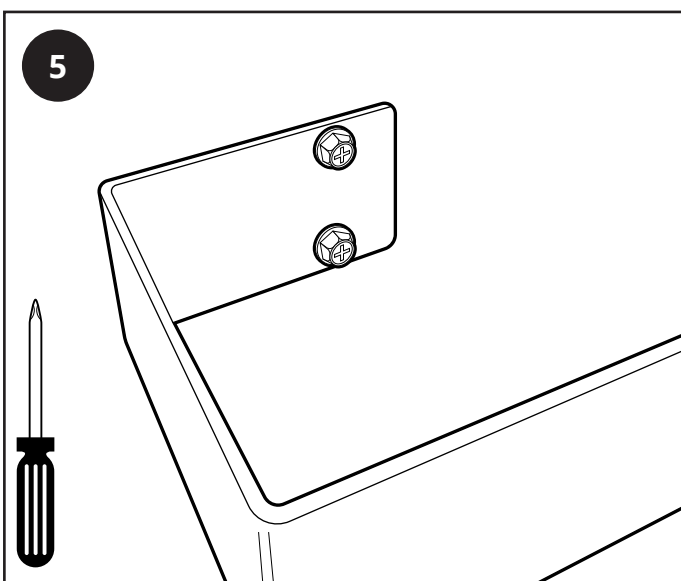
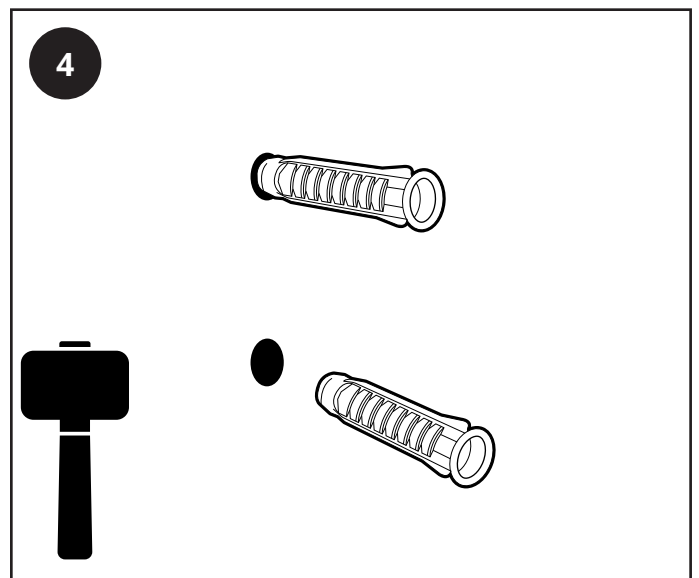
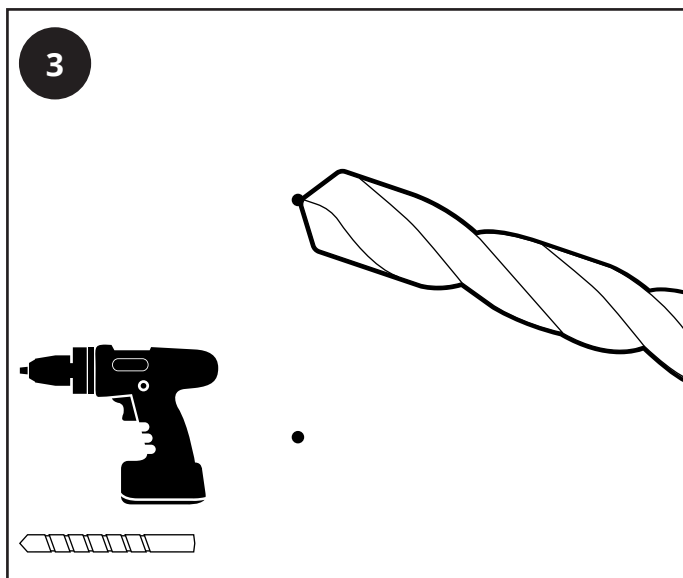
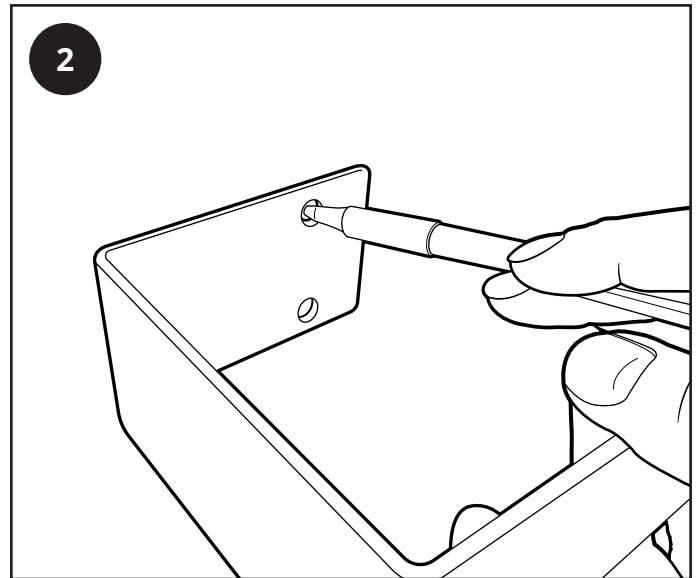
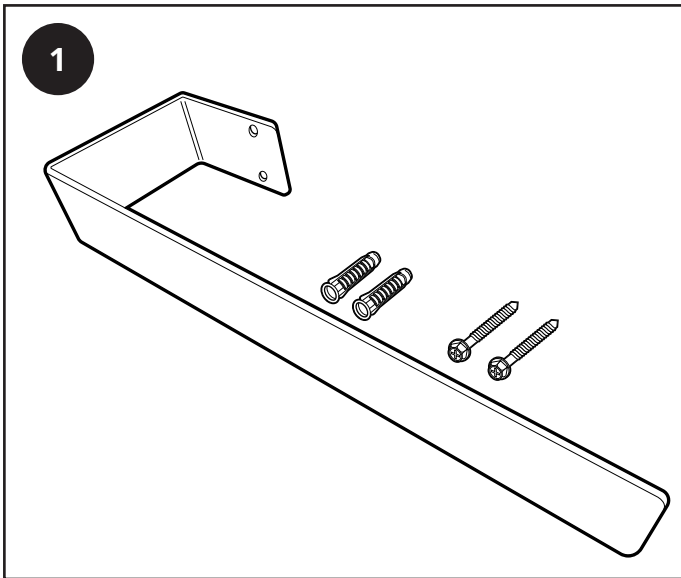


3



4





## Warranty Information

---

- *This product is covered by a 2 year guarantee.*
- *The guarantee starts from the date of purchase.*
- *The guarantee covers you against issues caused as a result of manufacturing related issues, it does not apply to issues that are found to be a result of poor installation.*
- *Labour costs for installation of the product are not covered under this warranty.*

## Aftercare

---

Clean any marks with a soft dry cloth, for stubborn stains please clean with mild soapy water and buff out with a soft cloth.

DO NOT use abrasive or acidic cleaners, if you are unsure, please contact us first.

## Recycling & Disposal

---

Please recycle / dispose of this product in accordance with your local council / government guidelines.

## Contact Us

---

LDG

Unit 1&2

Burnley

BB11 5UG