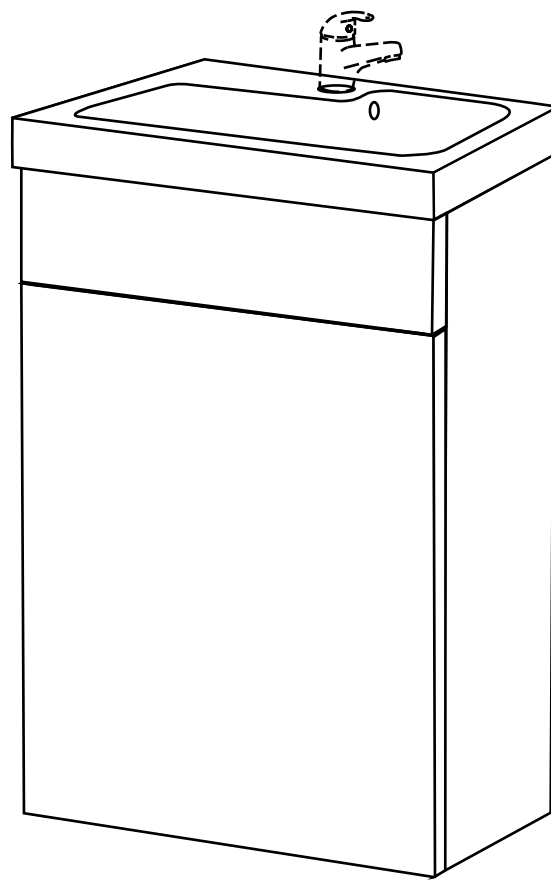


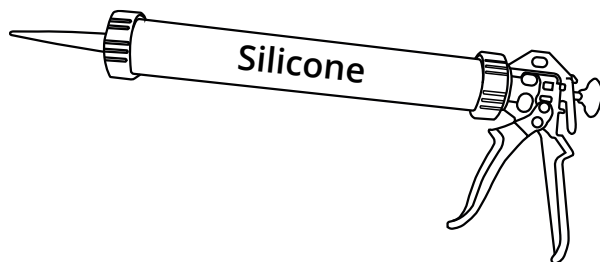
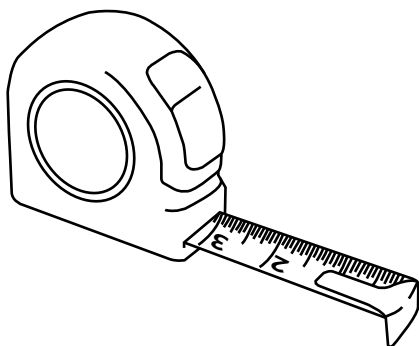
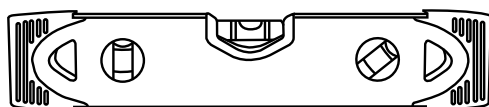
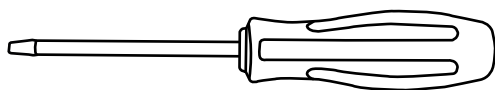
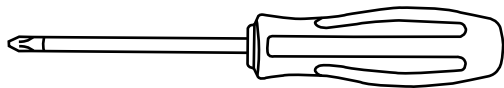
Combination Unit



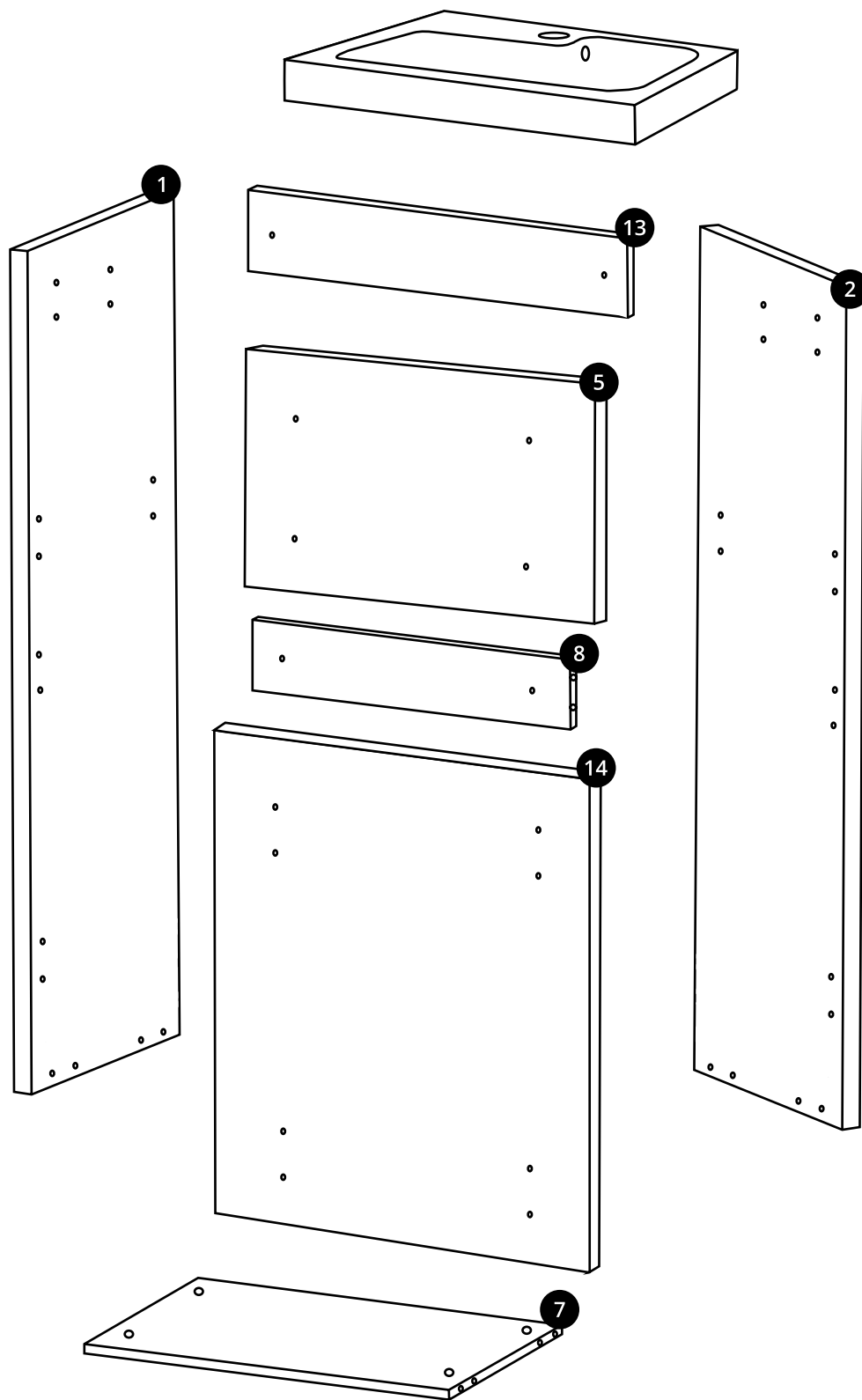
Installation Guide

Installation

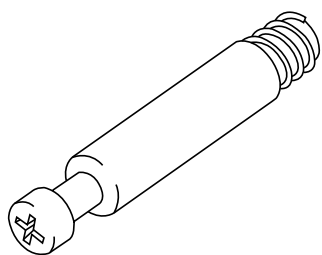
Tools required for installing:



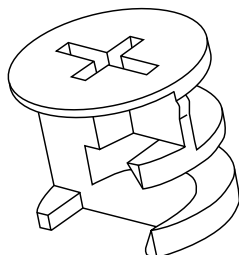
Parts included:



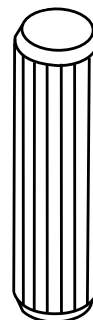
Parts included:



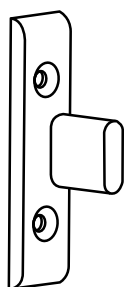
A
x8



B
x8



C
x10



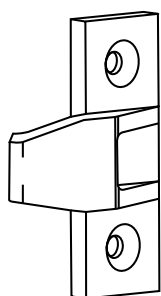
D
x4



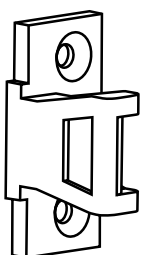
E
x24



F x4

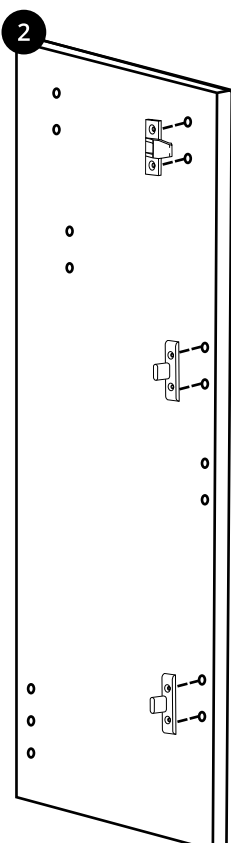
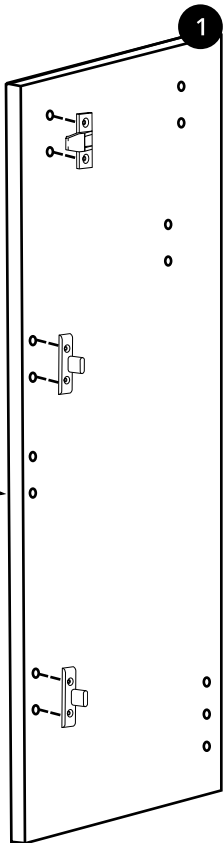
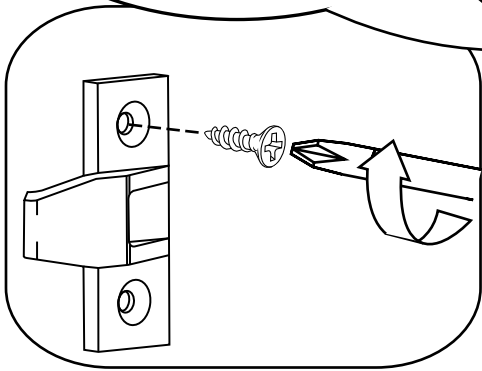
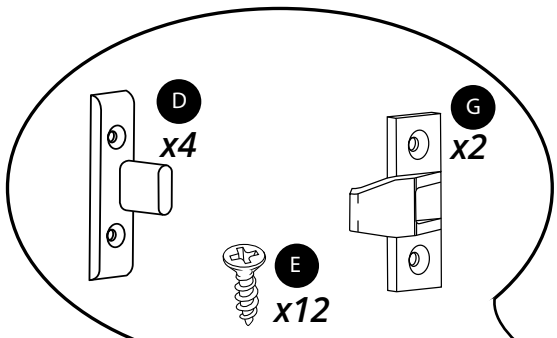


G
x2

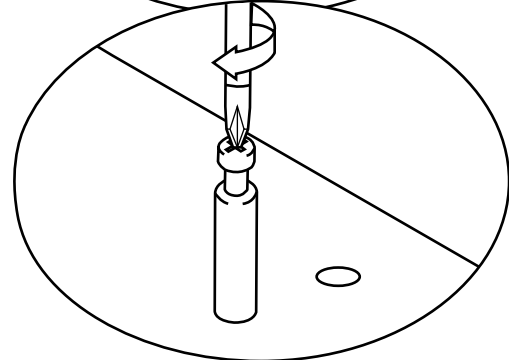
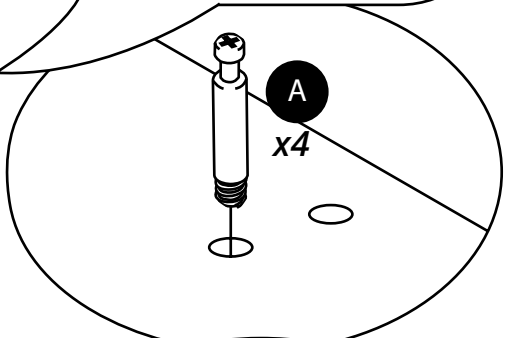
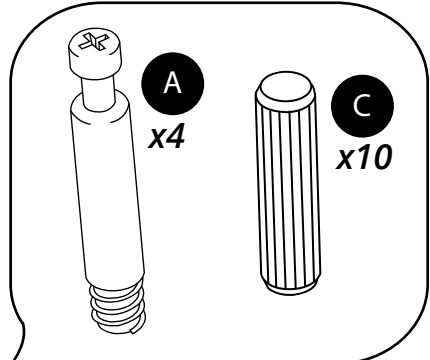
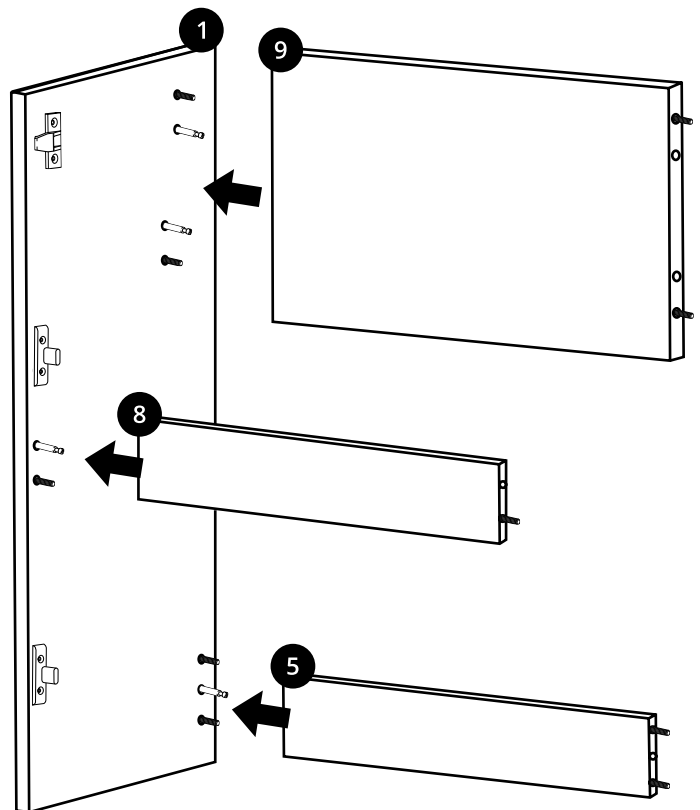


H
x2

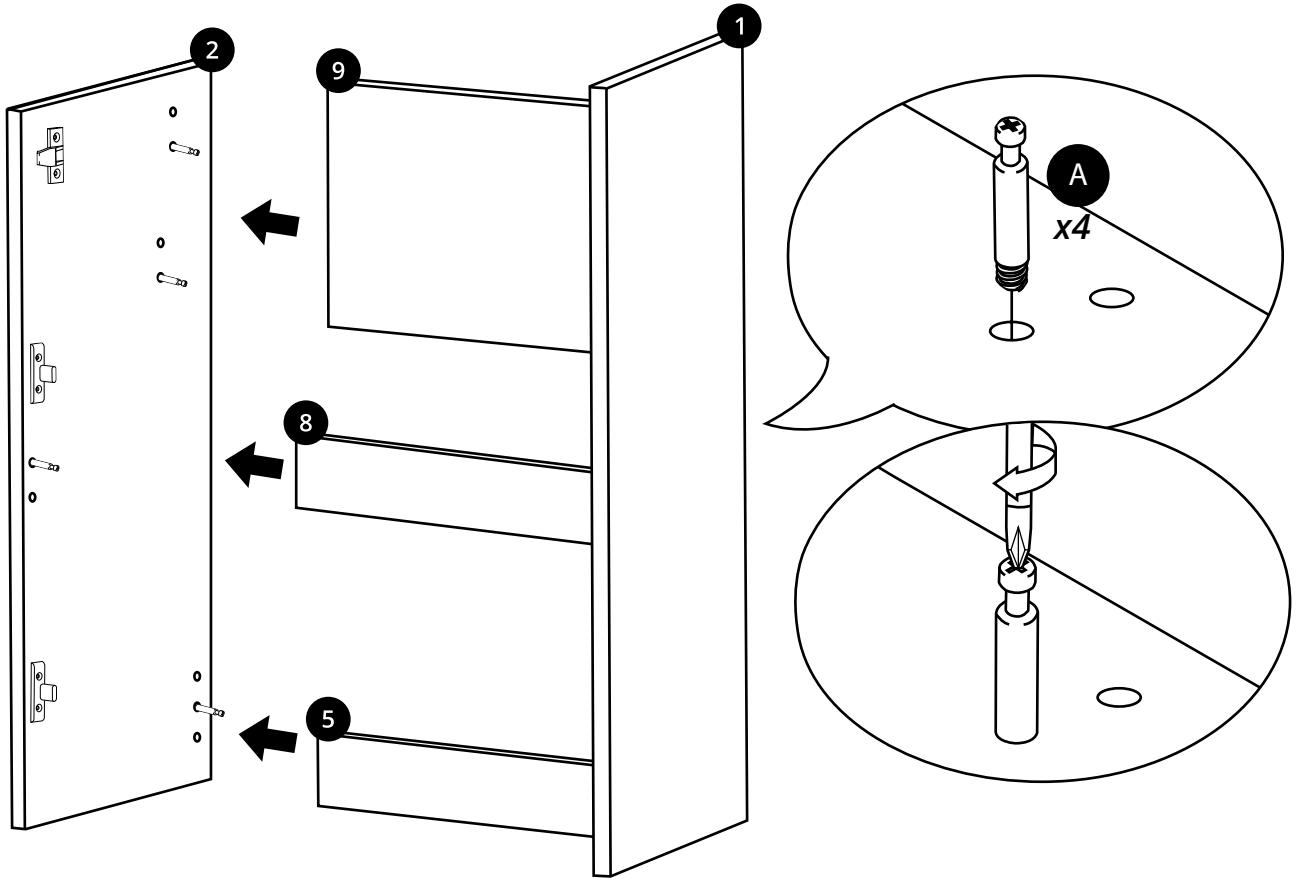
1



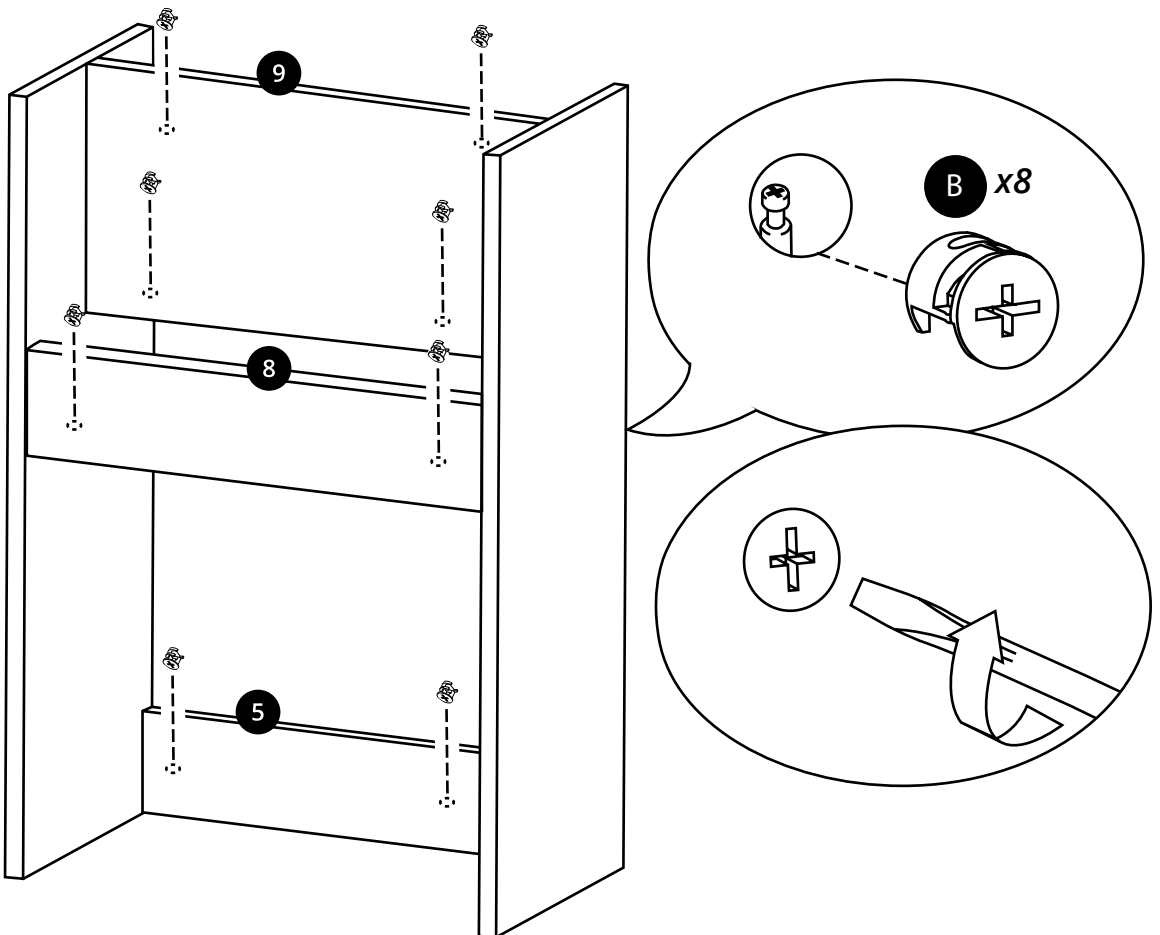
2



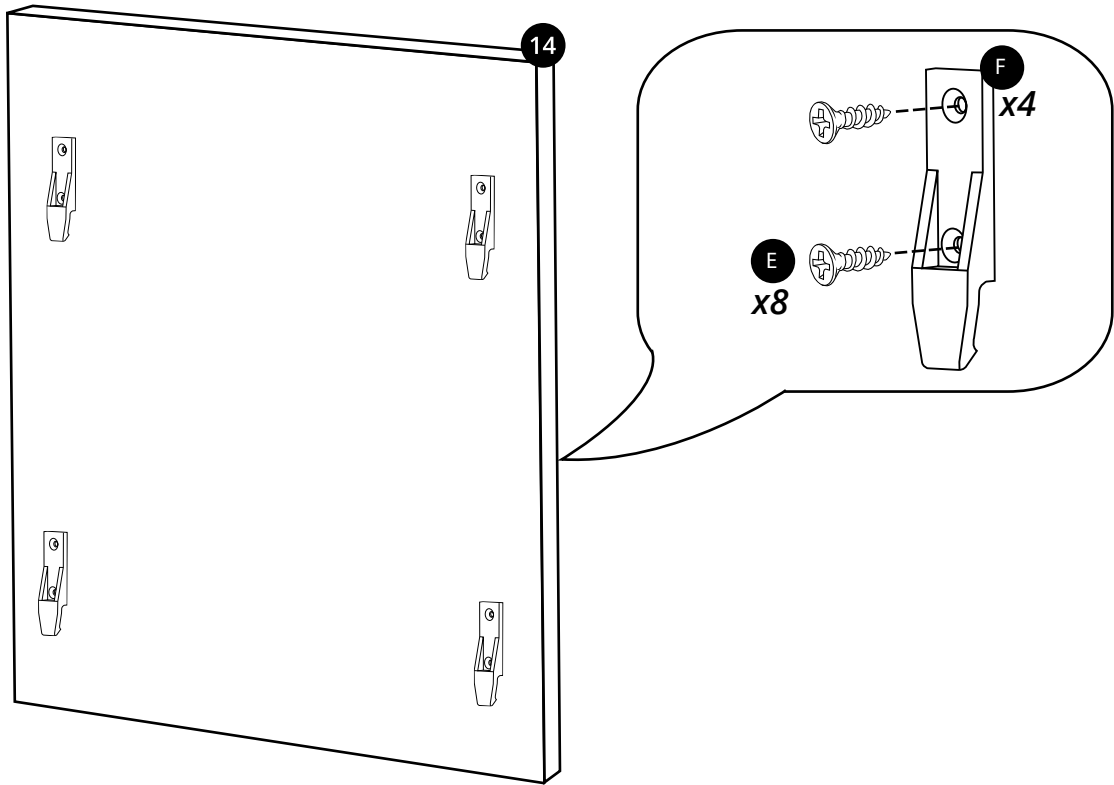
3



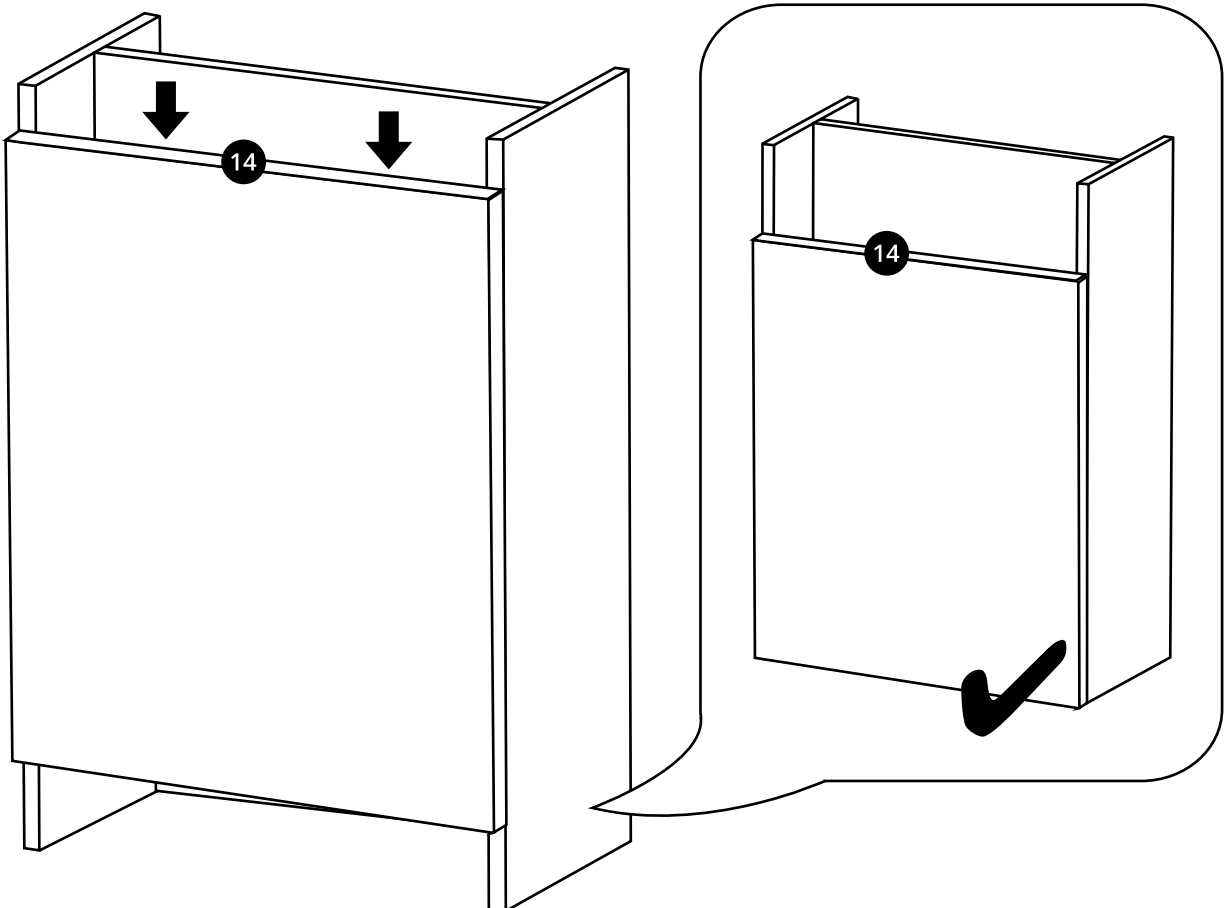
4



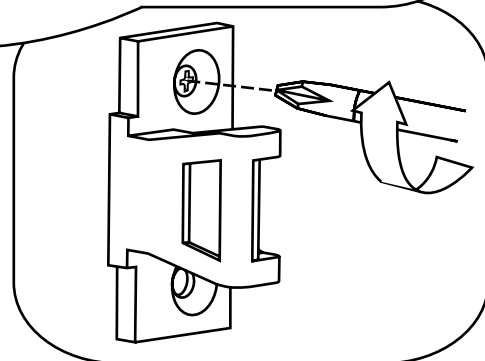
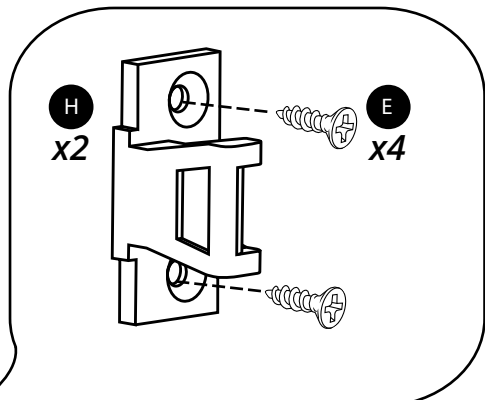
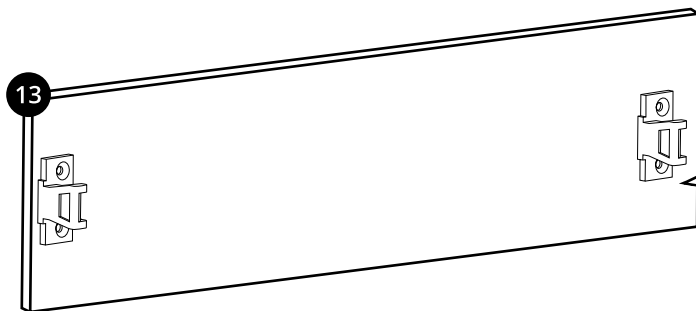
5



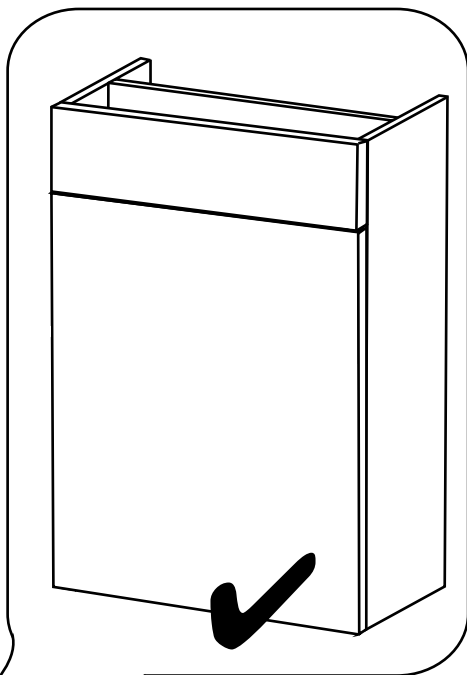
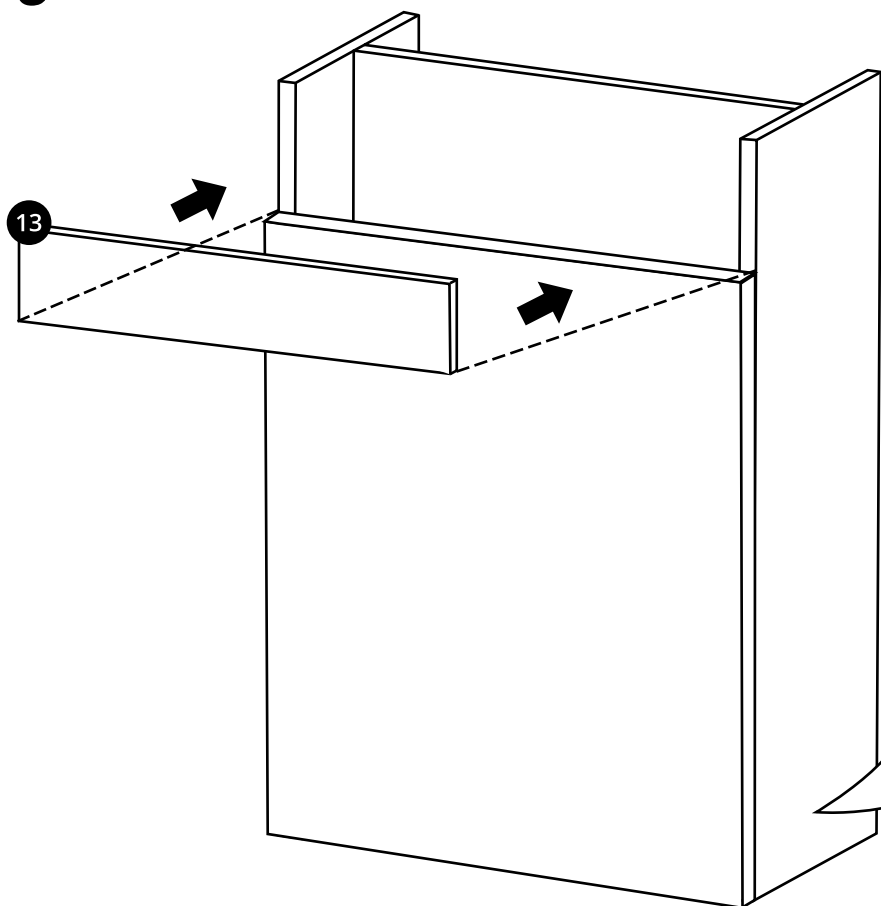
6



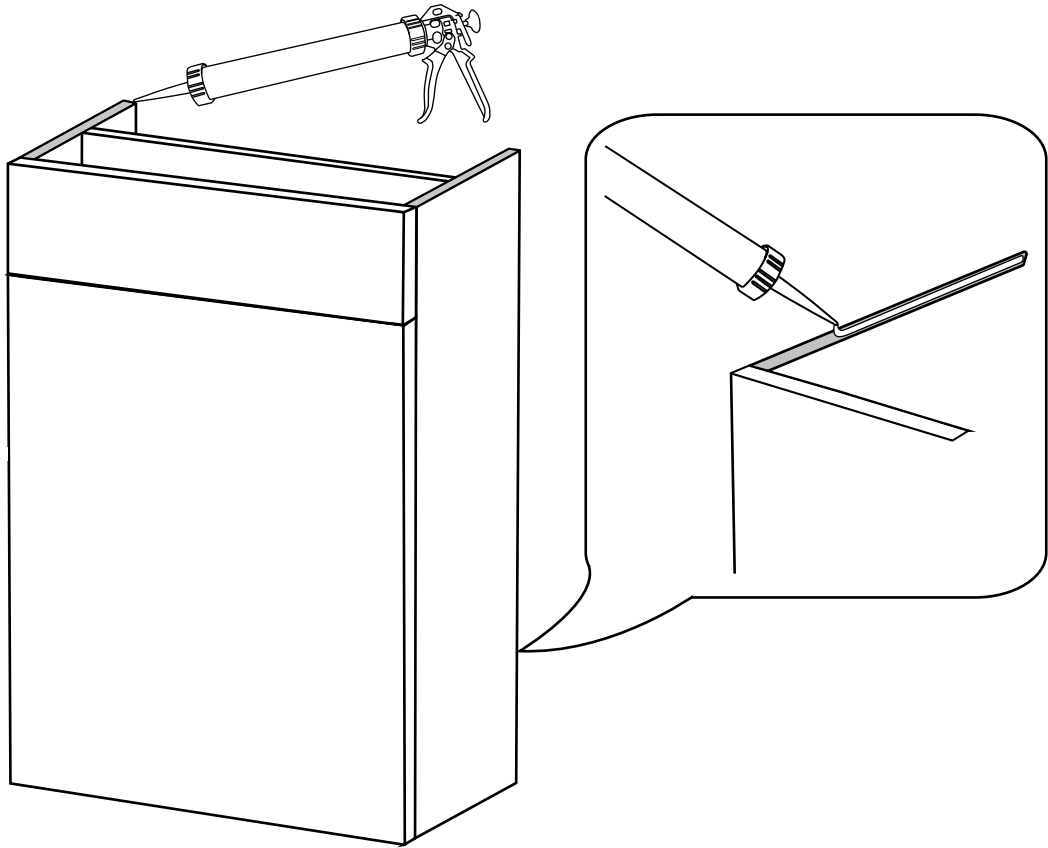
7



8



9



10

