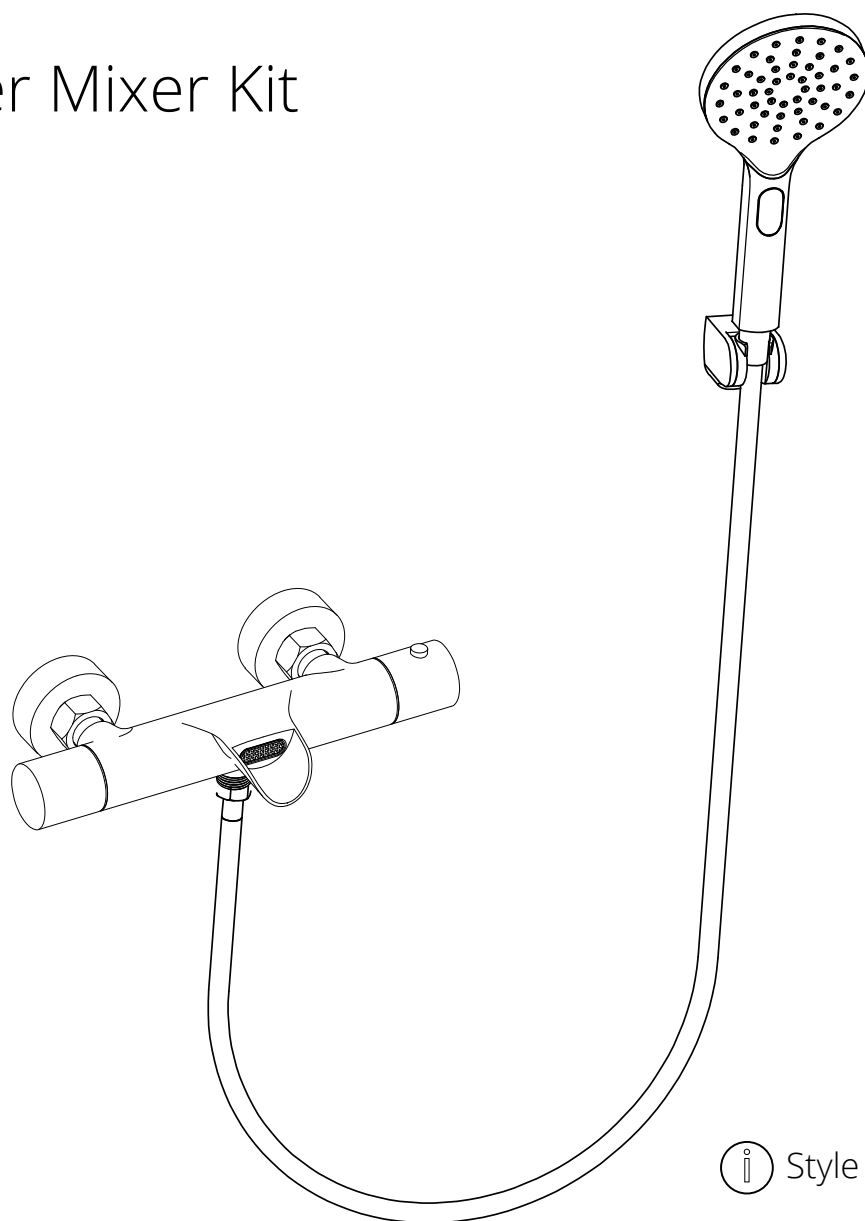


Milano

Bar Shower Mixer Kit

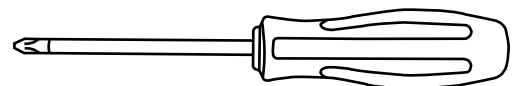
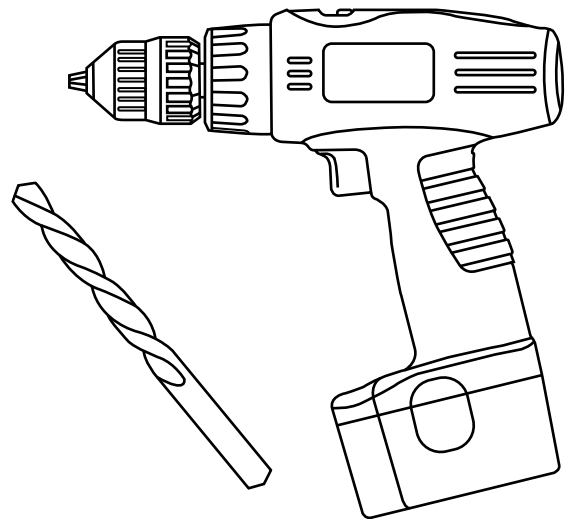
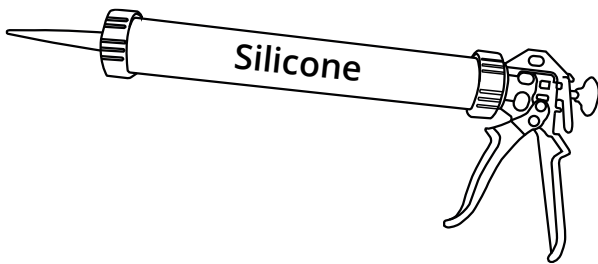
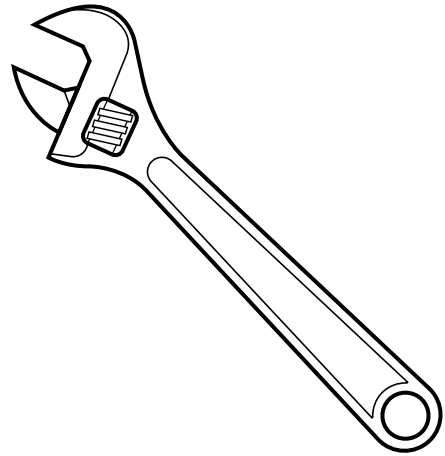
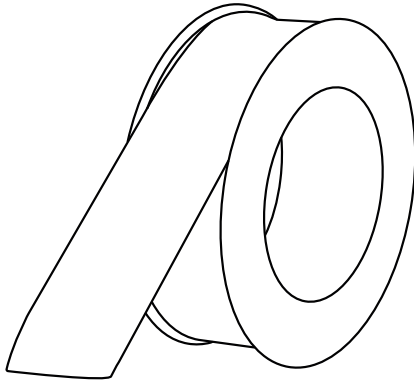
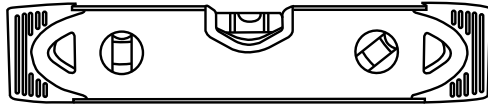


 Style may vary

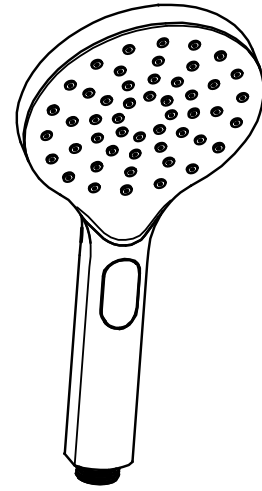
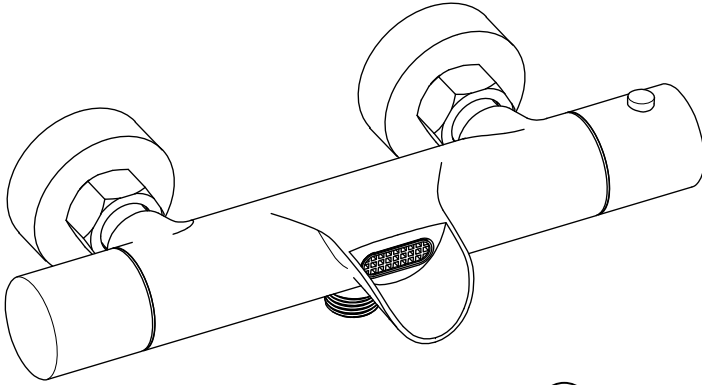
Installation Instructions


Installation

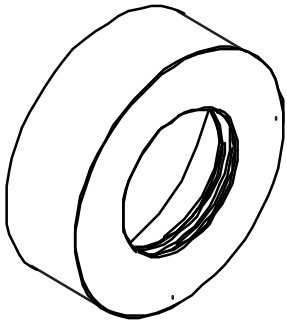
Tools required for installing:



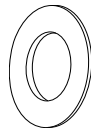
Parts included:



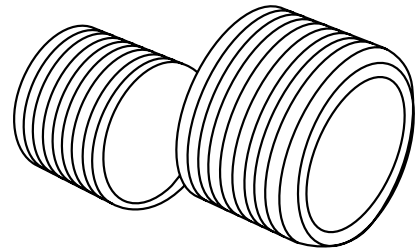
 Style may vary



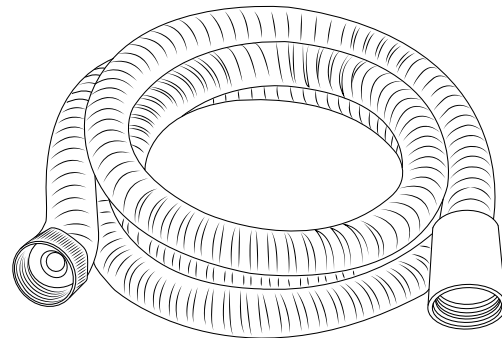
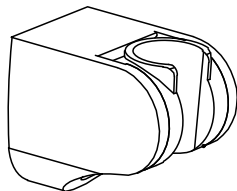
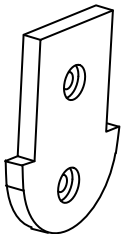
x2



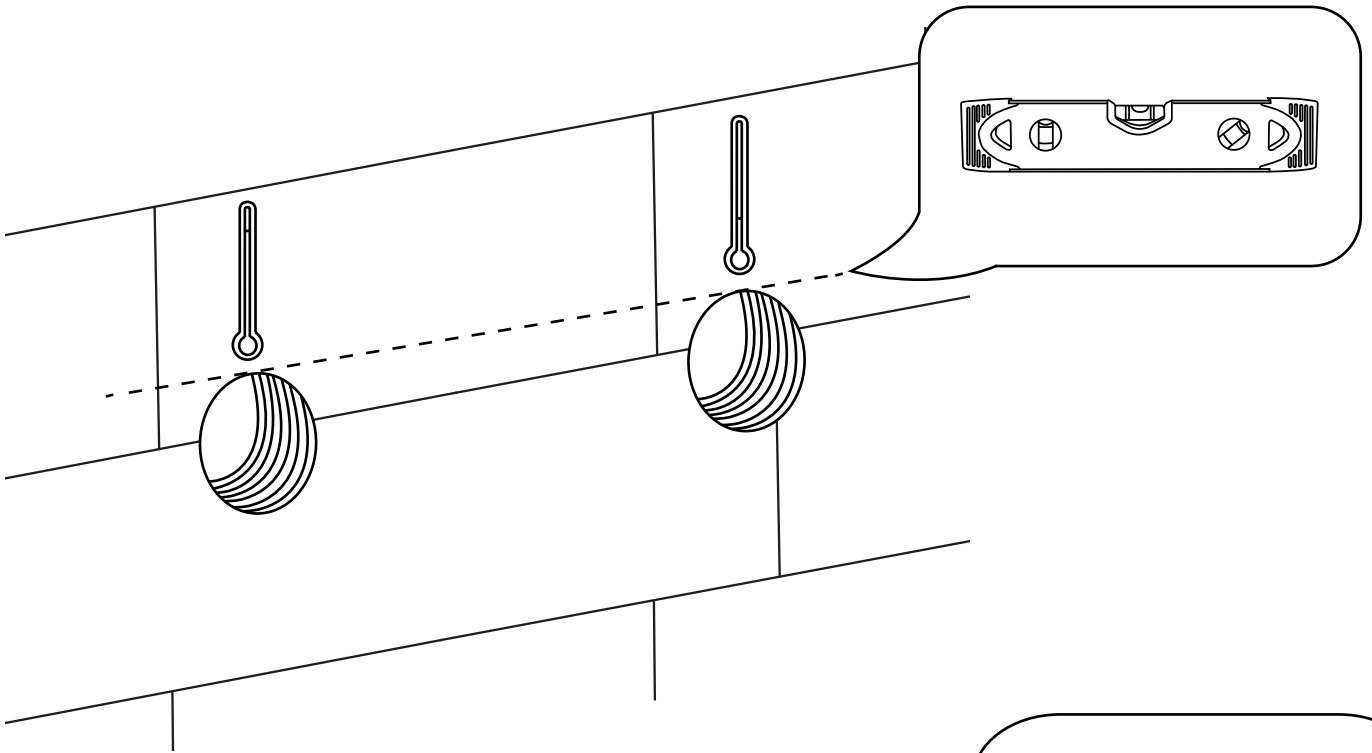
x2



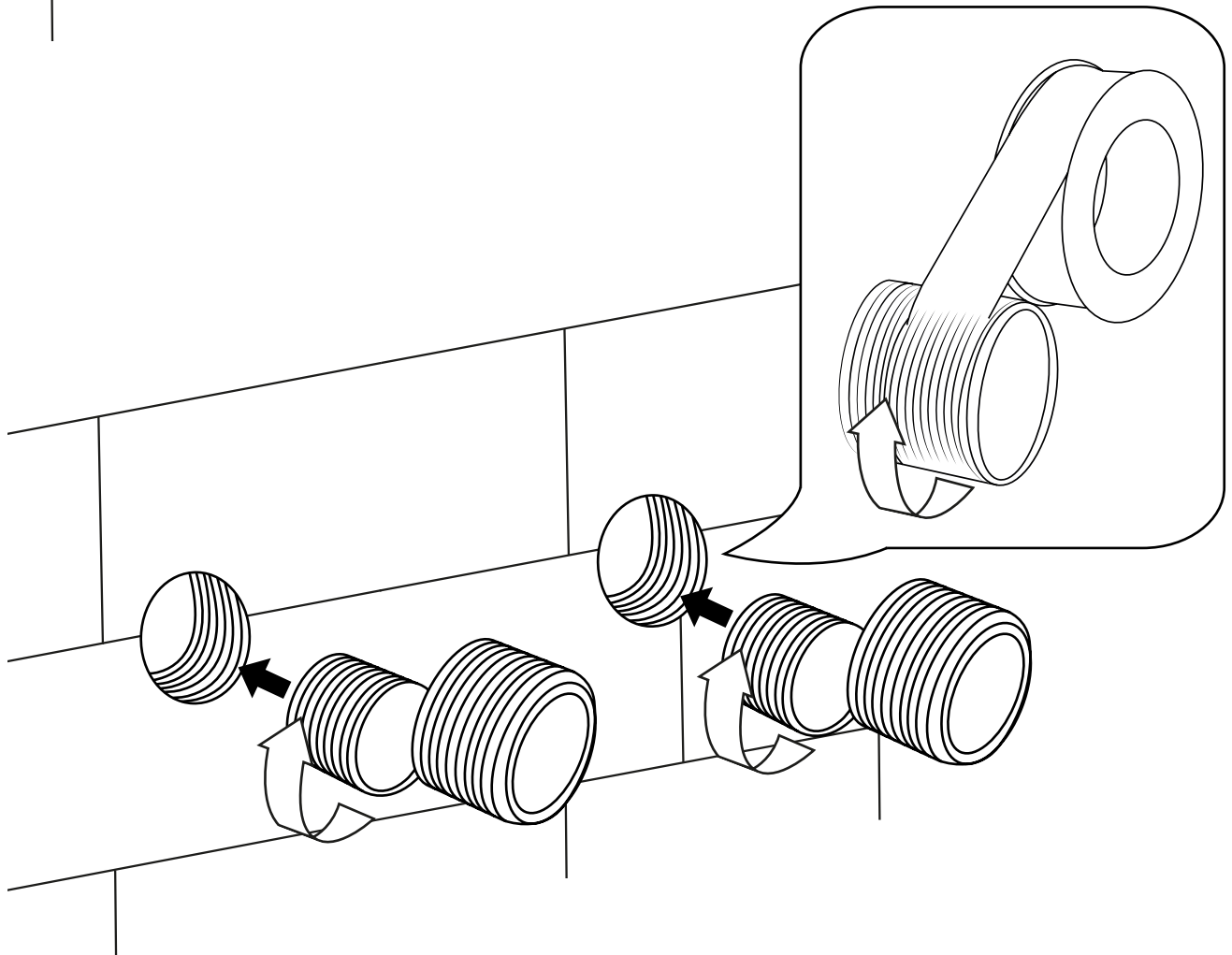
x2



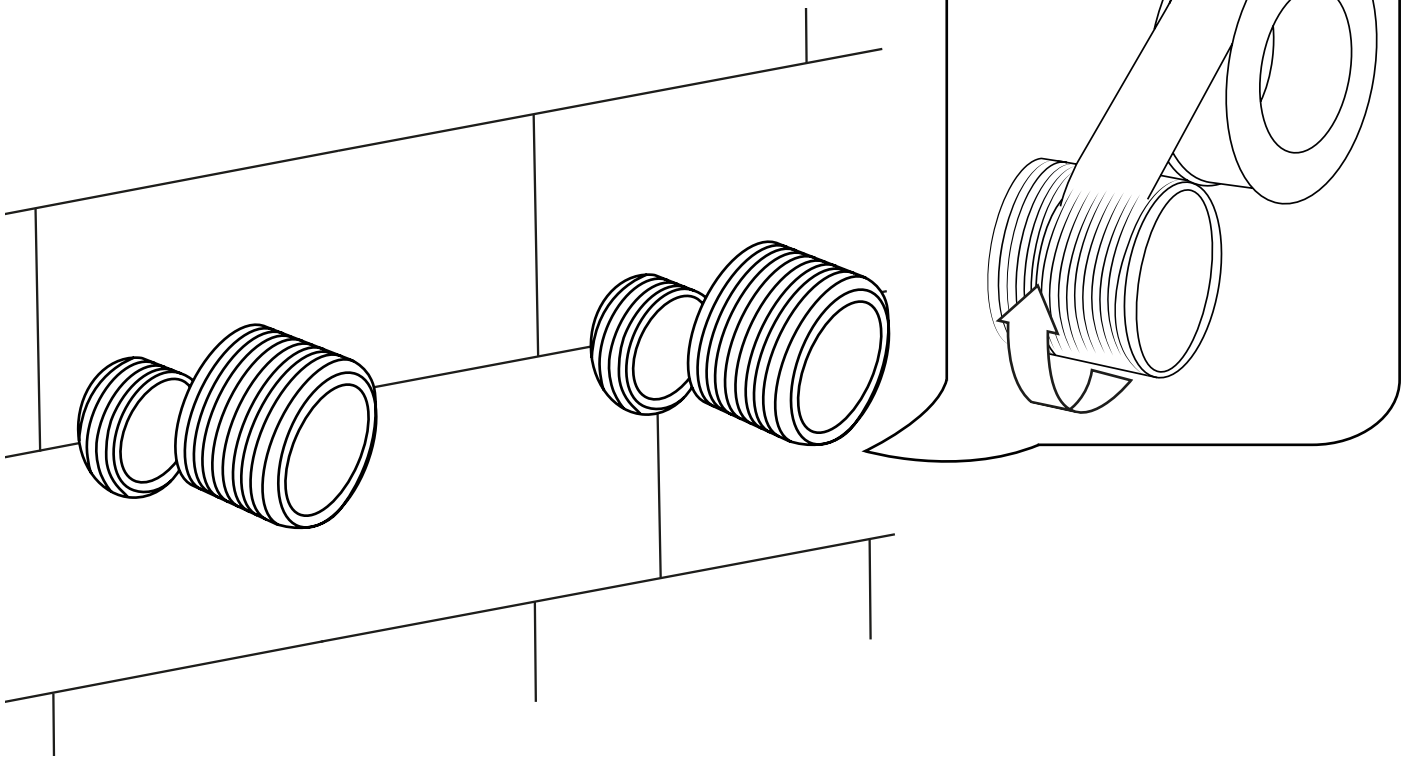
1



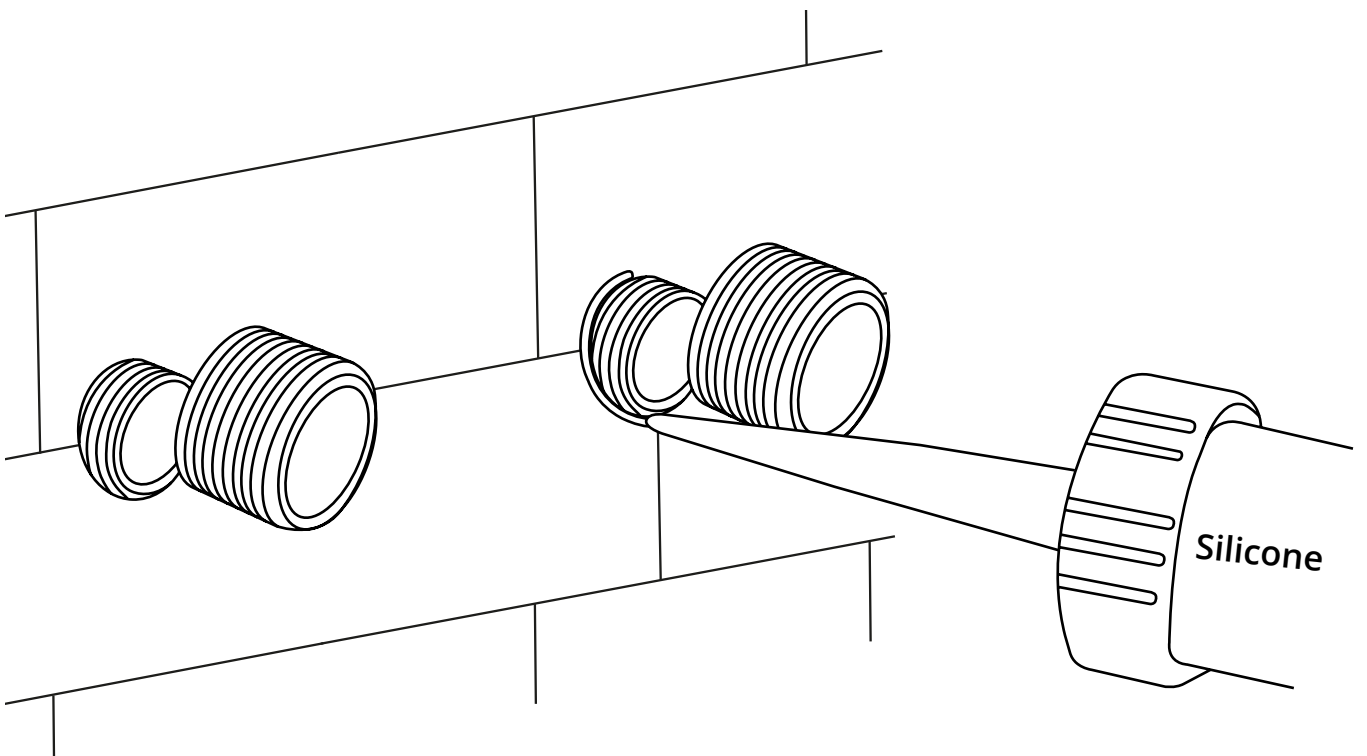
2



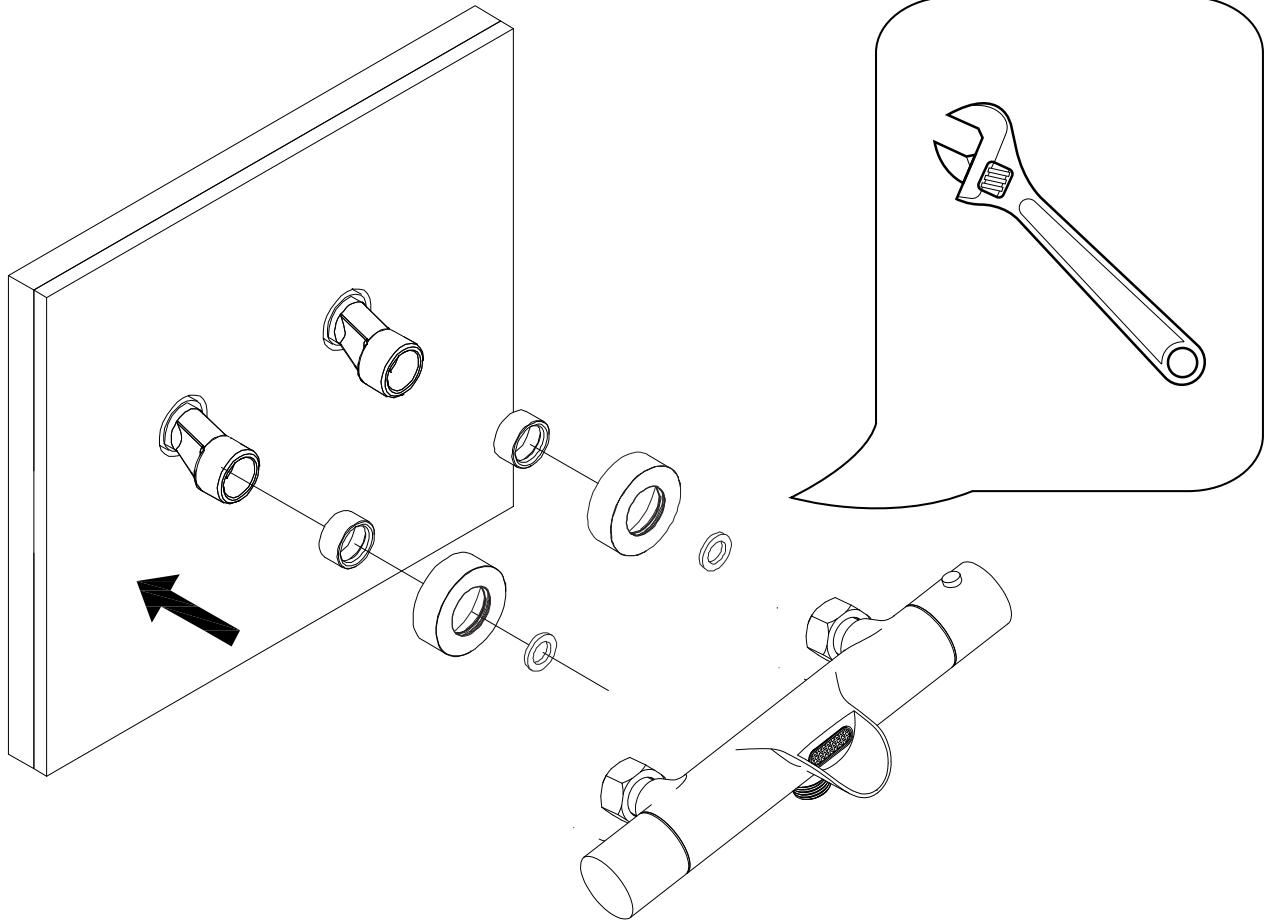
3




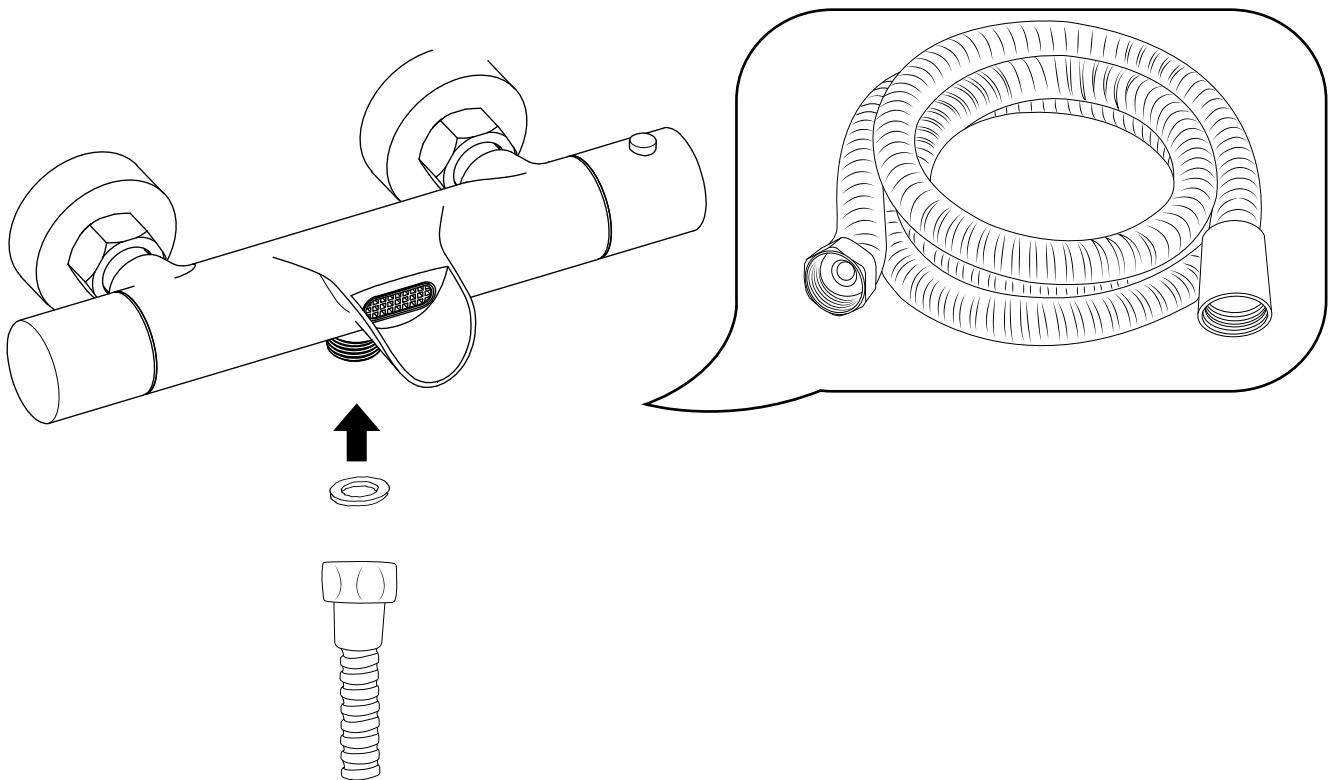
4



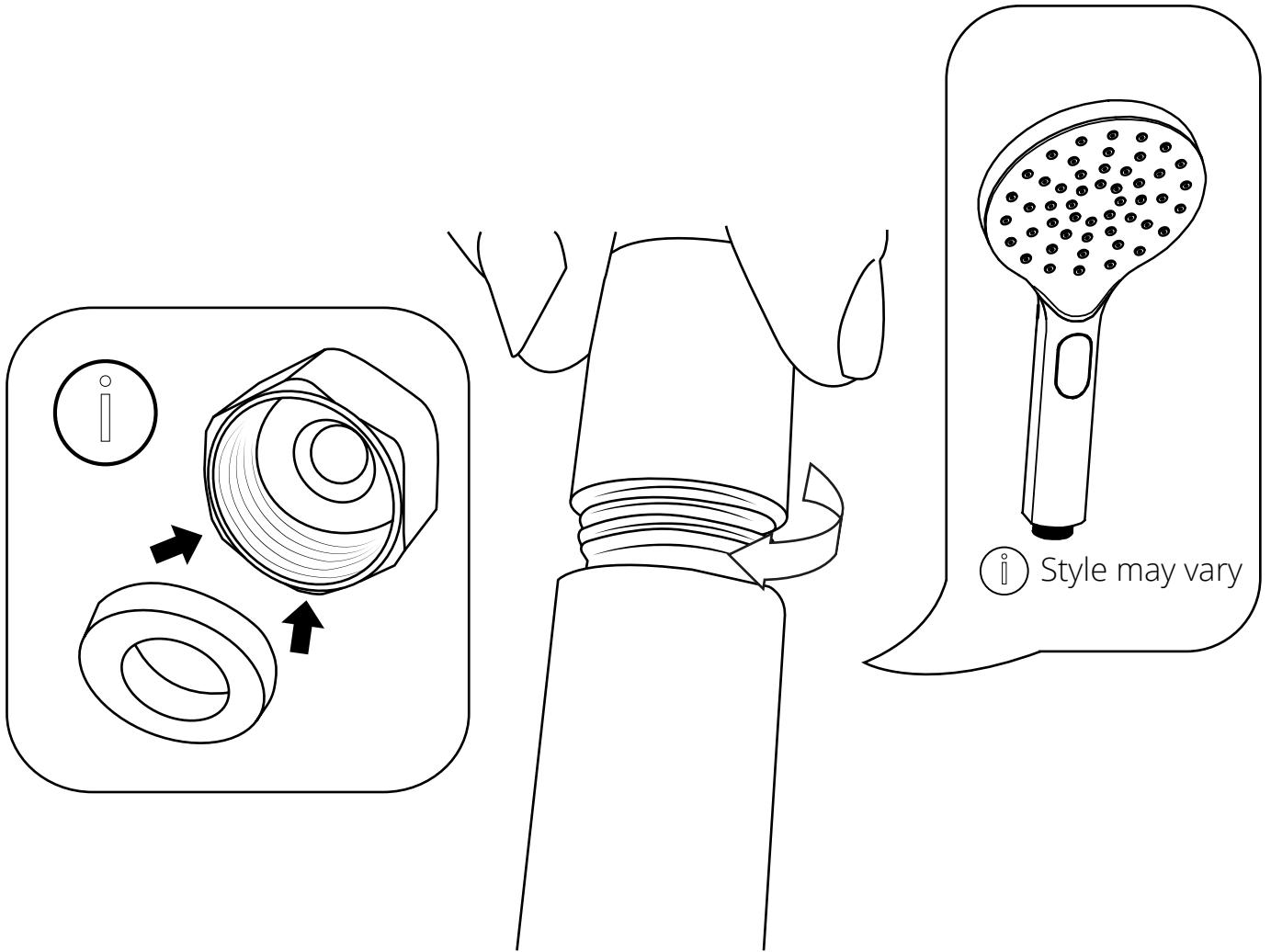
5



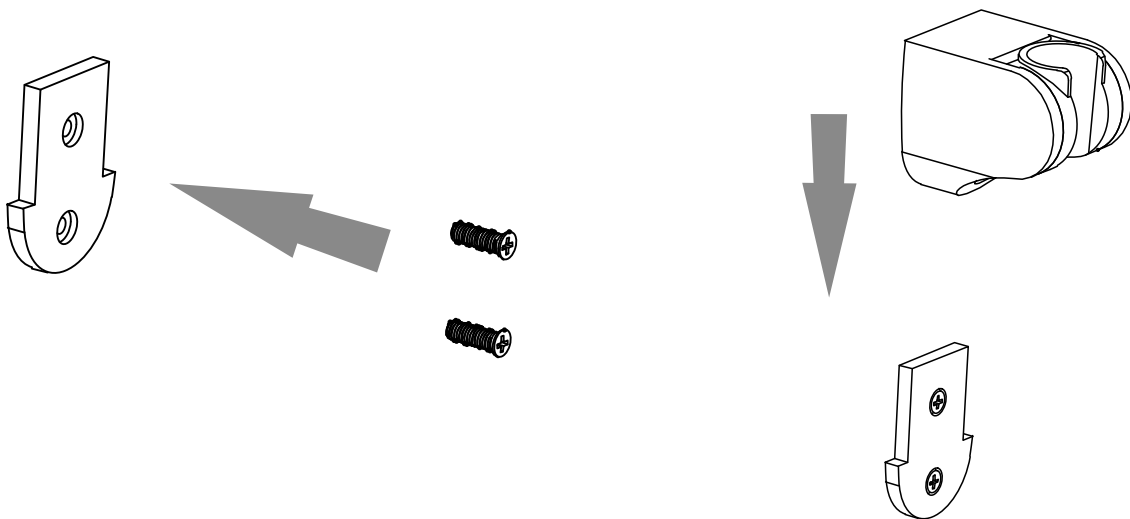
 Style may vary

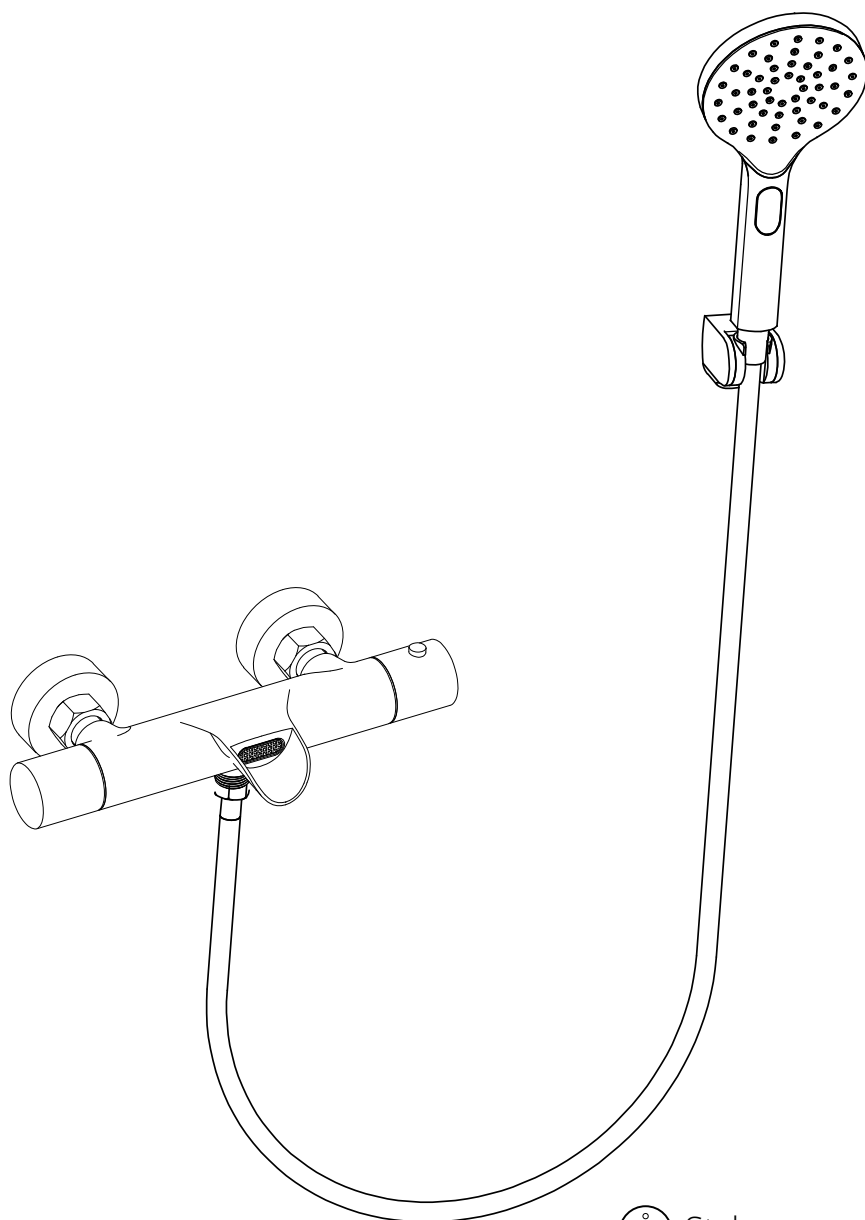



7



8





 Style may vary