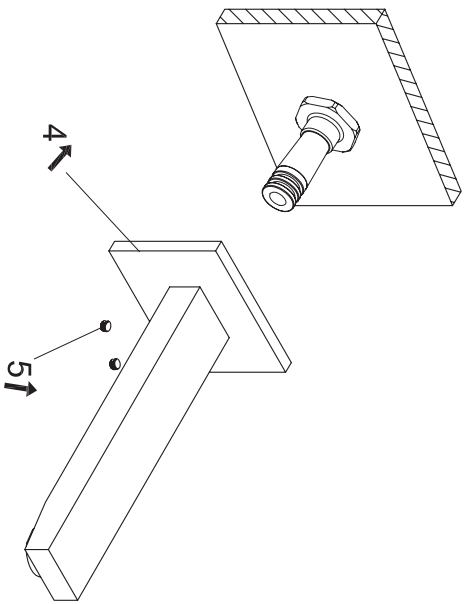
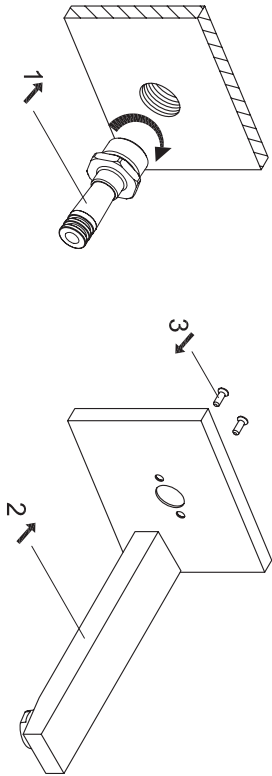


# Spout

## Installation



## Line Drawing

