

# Milano

## Four tap hole Mixer

### Installation Guide

#### **Contents**

Safety Information **Page - 2**

Installation **Page - 2**

Warranty Information **Page - 4**

Recycling & Disposal **Page - 4**

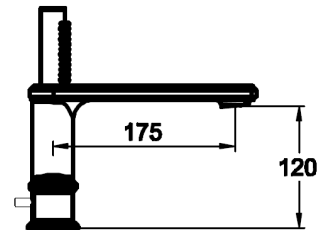
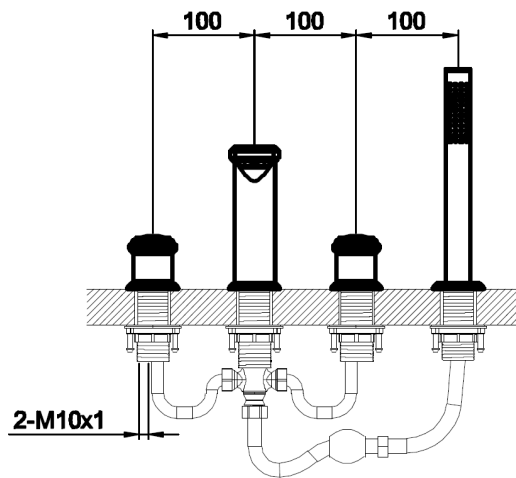
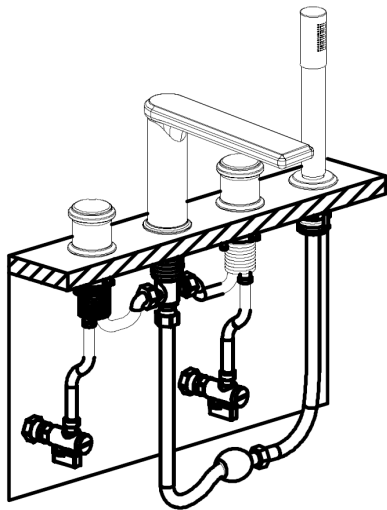
# Safety Information

## *Please read carefully...*

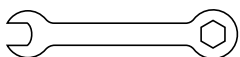
- ✓ Please check that all parts are included before starting installation.
- ✗ Do not attempt to install if you notice any damage to the unit. Contact the supplier for advice.
- ✓ We recommend installation is done by a qualified plumber / installer.
- ✓ We recommend a minimum operating pressure of 1bar.

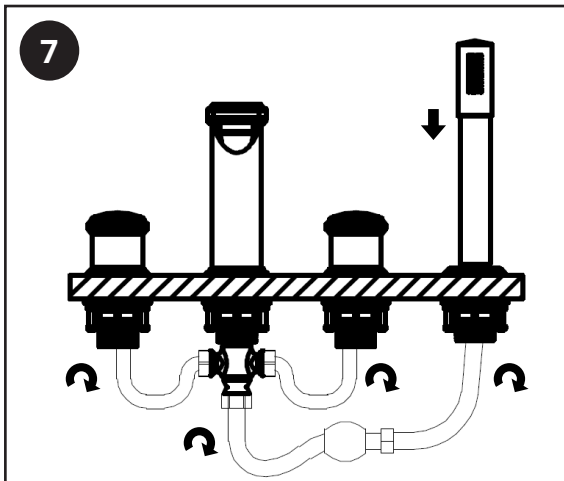
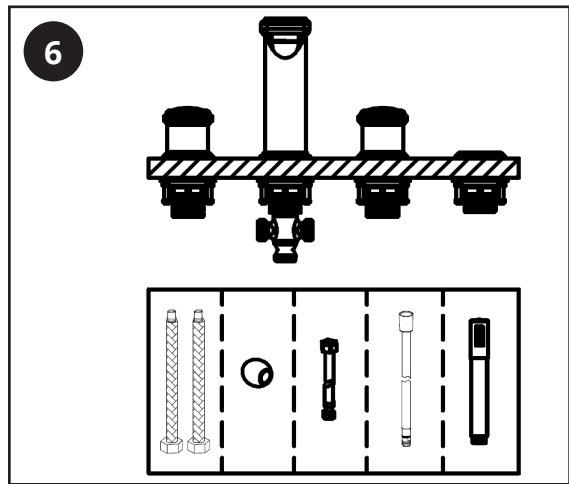
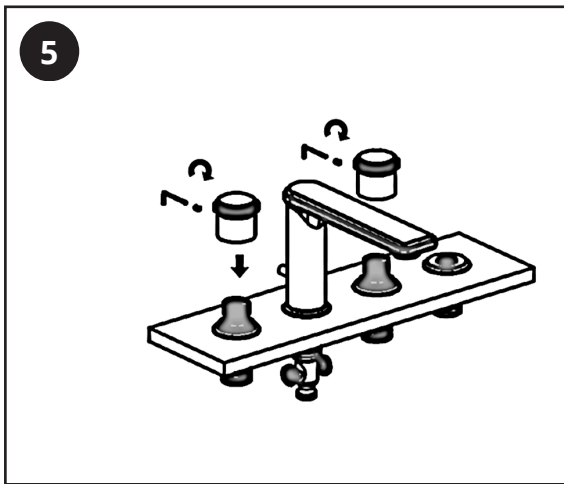
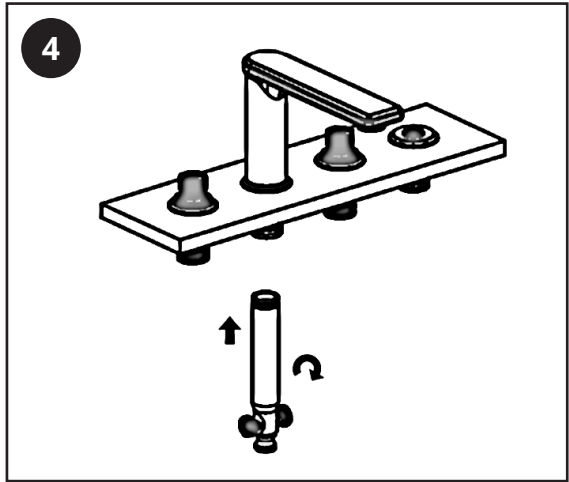
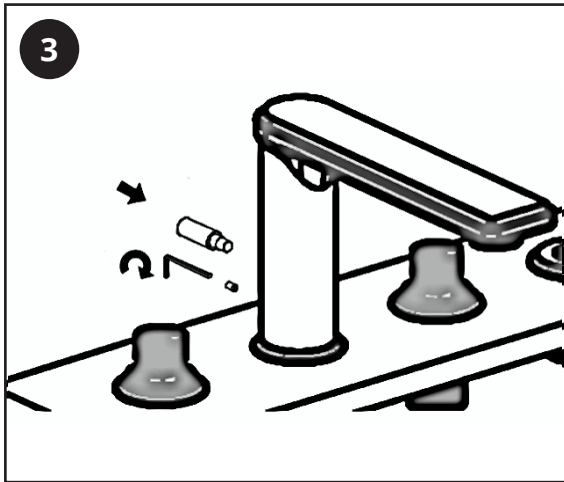
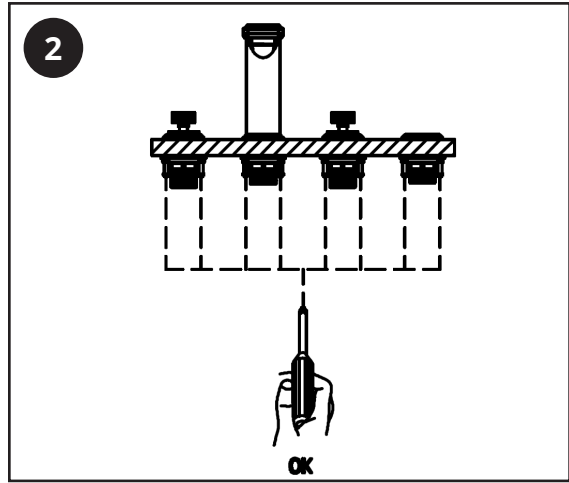
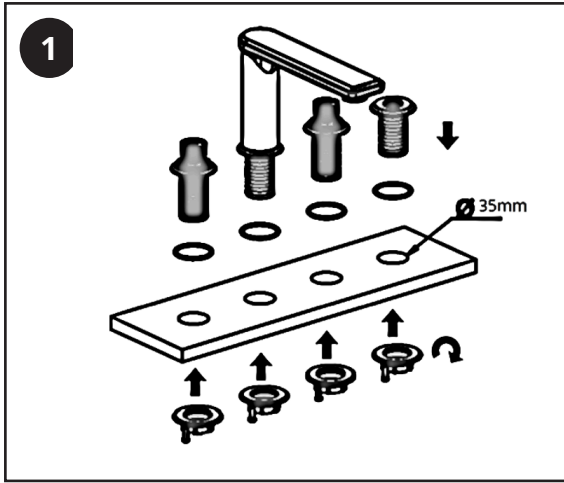
# Installation

## *Product breakdown:*



## *Tools Required:*





## Aftercare

---

Clean any marks with a soft dry cloth, for stubborn stains please clean with mild soapy water and buff out with a soft cloth. DO NOT use abrasive or acidic cleaners, if you are unsure, please contact us first.

## Your Guarantee

---

- To find the specific guarantee for your product please refer to the website.
- The guarantee starts from the date of purchase.
- The guarantee covers you against issues caused as a result of manufacturing related issues, it does not apply to issues that are found to be a result of poor installation.
- Labour costs for installation of the product are not covered under this warranty.

## Recycling and Disposal

---

Please recycle the packaging in accordance with your local government regulations on waste handling, and follow the same advice at the end of the products life.

Product - Steel.

Packaging - Cardboard, plastic, steel.

## Contact us

---

Milano

Unit 1 & 2 Dawson Ct

Burnley

Lancashire

BB11 5UB