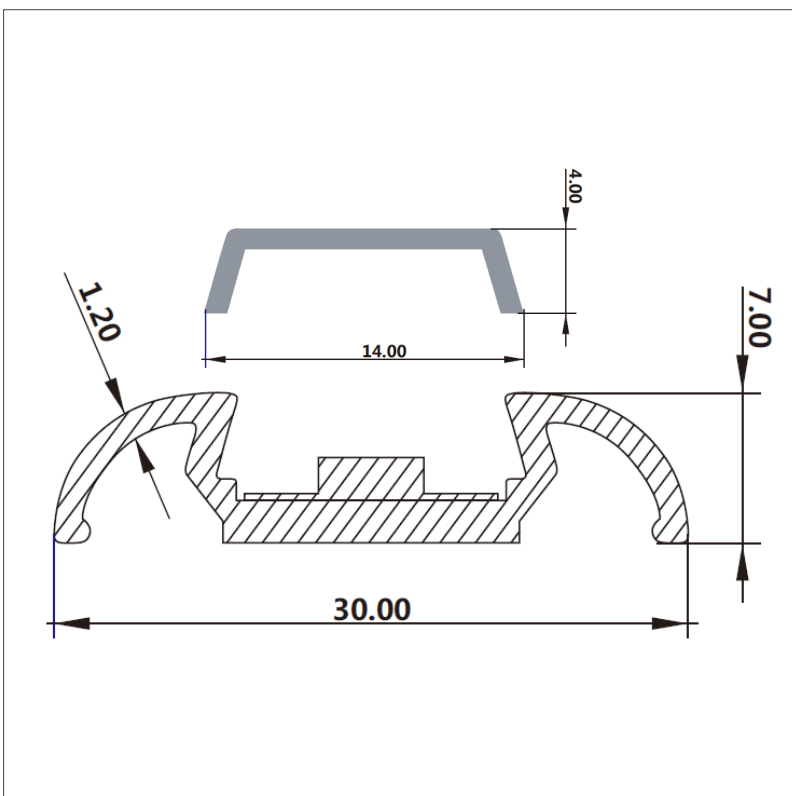
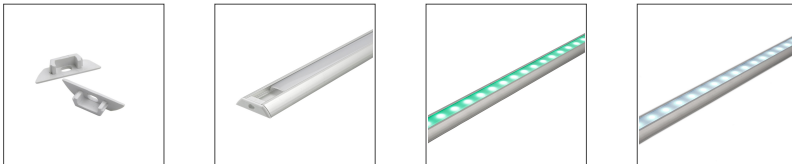


## Biard Flat Aluminium Profile Cover and End Cap Set



### Product Specification

|               |   |
|---------------|---|
| Cover         | <b>Frosted or Transparent</b>             |
| Dimensions    | <b>1000 x 30 x 10mm</b>                   |
| Waterproof    | <b>IP20</b>                               |
| Components    | <b>Includes end caps and fixing clips</b> |
| Certification | <b>CE, RoSH</b>                           |
| Material      | <b>Aluminium</b>                          |
| Weight        | <b>N/A</b>                                |

### Product Specification

- ✓ 5 Year Warranty
- ✓ Quick and Easy to Install Yourself
- ✓ Fits Strip Light Width up to 10mm
- ✓ Perfect for Walls, Ceilings and Floors
- ✓ Finned Profile for Better Heat Dispersion



### Safety Information

- ✓ Use only at stated voltages.
- ✗ **DO NOT** look directly into LED.
- ✗ **DO NOT** spray with chemicals.
- ✓ If in doubt use a qualified electrician.
- ✗ **NEVER** expose electrical parts when switched on.
- ✗ **DO NOT** remove PIR (if fitted).
- ✗ **DO NOT** cover with flammable materials.
- ✓ Turn off power before fitting.

This product is covered by a 5 year warranty and has a 30 day money back guarantee.

RoHS  
Compliant

