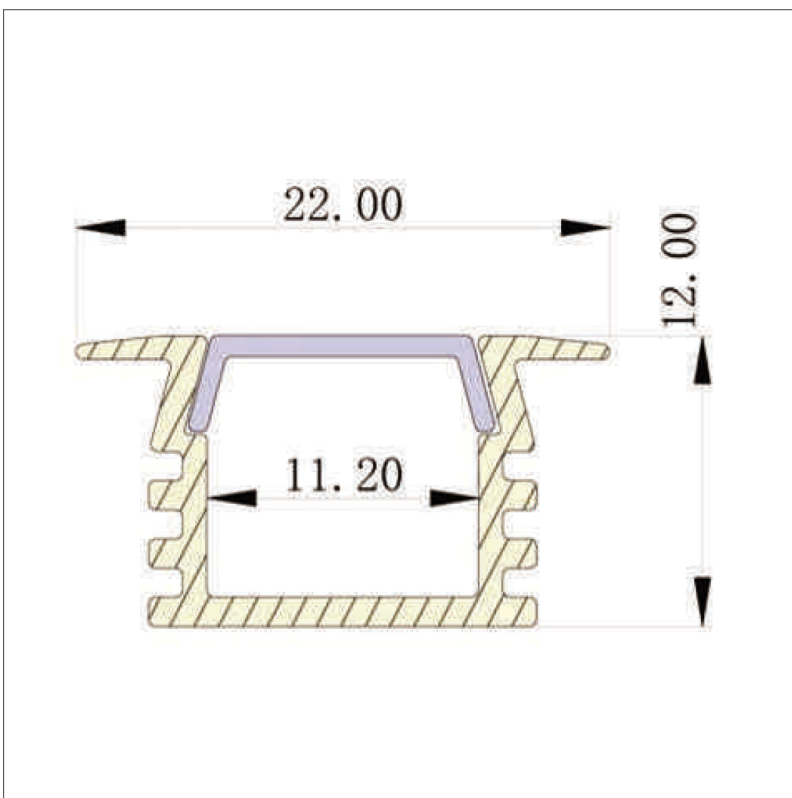
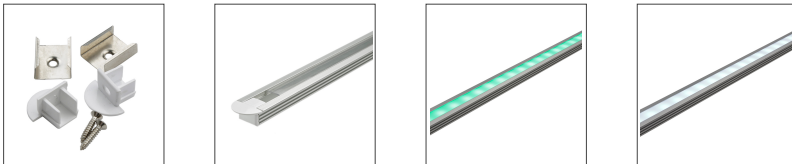


Biard Recessed Finned Aluminium Profile Cover and End Cap Set



Product Specification

| | |
|---------------|---|
| Cover | Frosted or Transparent |
| Dimensions | 1000 x 22 x 12mm |
| Waterproof | IP20 |
| Components | Includes end caps and fixing clips |
| Certification | CE, RoSH |
| Material | Aluminium |
| Weight | N/A |

Product Specification

- ✓ 5 Year Warranty
- ✓ Quick and Easy to Install Yourself
- ✓ Fits Strip Light Width up to 10mm
- ✓ Perfect for Walls, Ceilings and Floors
- ✓ Finned Profile for Better Heat Dispersion



Safety Information

- ✓ Use only at stated voltages.
- ✗ **DO NOT** look directly into LED.
- ✗ **DO NOT** spray with chemicals.
- ✓ If in doubt use a qualified electrician.
- ✗ **NEVER** expose electrical parts when switched on.
- ✗ **DO NOT** remove PIR (if fitted).
- ✗ **DO NOT** cover with flammable materials.
- ✓ Turn off power before fitting.

This product is covered by a 5 year warranty and has a 30 day money back guarantee.

RoHS
Compliant

