

biard

BLWL10

Installation Guide

Contents

Safety Information **Page - 2**

Installation **Page - 3 - 5**

Warranty Information **Page - 6**

Recycling & Disposal **Page - 6**

Safety Information

Please read carefully...

- ✓ Switch off the power while installing
 - ✗ Do not use this product with a dimmer switch
 - ✓ We recommend installation is performed by a qualified electrician
 - ✓ Avoid looking directly into the light when switched on.
 - ✗ Do not make any modifications to the product unless instructed to in this manual. Making any additional modifications will invalidate your warranty.
 - ✗ Read all the instructions in the manual before beginning installation if in doubt use a qualified electrician. IP44 - For indoor and outdoor use.
 - ✓ Inspect the product for damage before installation
-

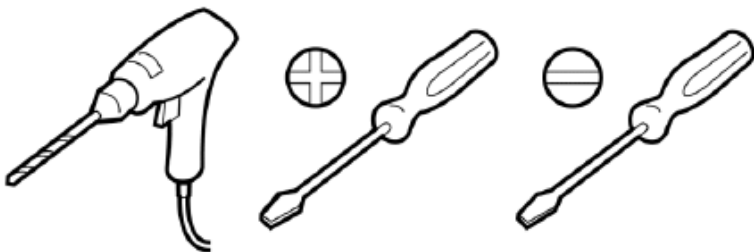
Other Information

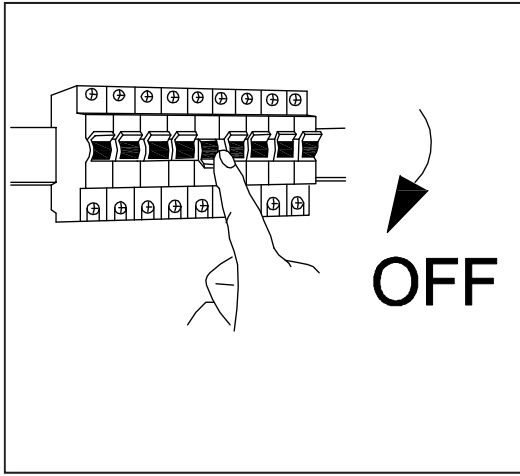
**Do not wire this lantern into the lighting circuit - use a switched fuse spur.
This fitting must be earthed, contact a qualified electrician to install a suitable earth facility.
For new installations, check for any electrical cables or pipe work (gas/water) in the vicinity of the intended mounting point for this product, before proceeding with the installation.**

RISK OF FIRE

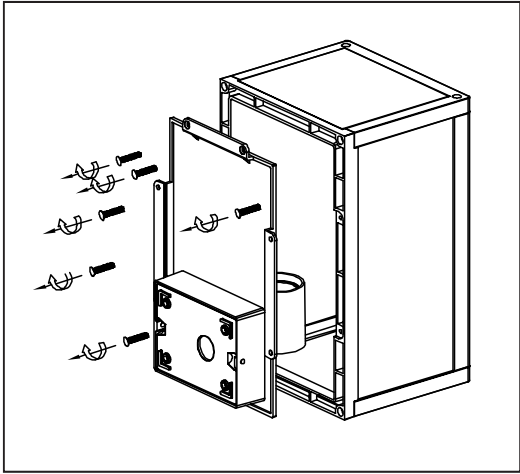
Clearance from any flammable material - Minimum 150mm

Parts required-

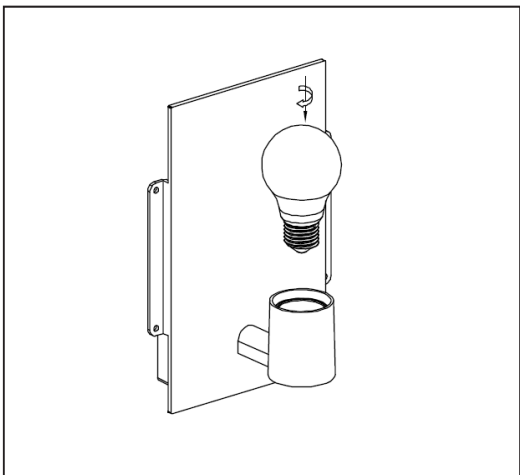




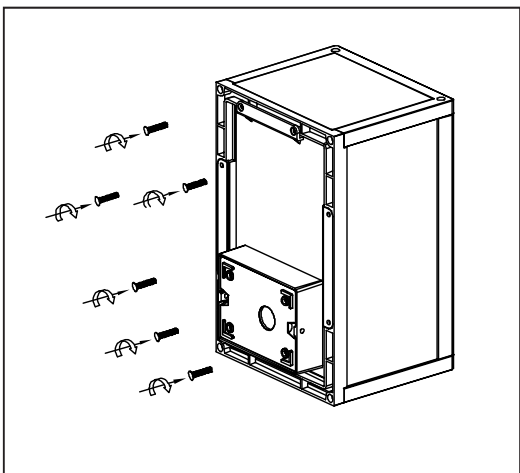
Switch off electricity at mains before installing fitting. If unsure contact a qualified electrician.



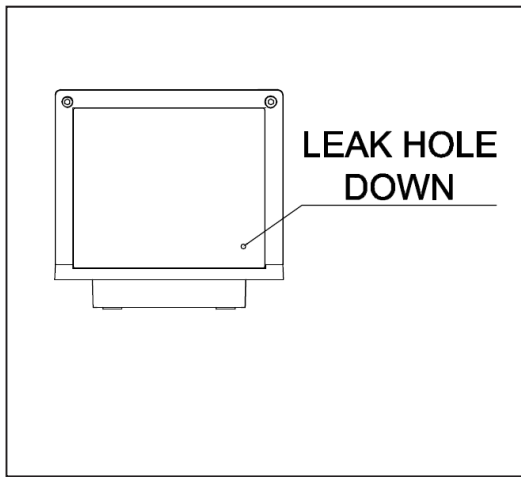
Unscrew the back panel from the fitting frame.



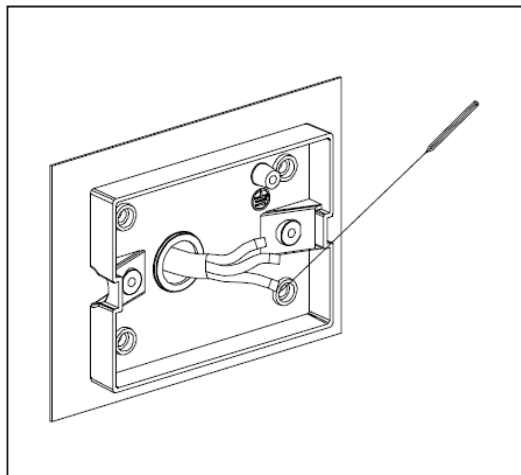
Insert E27 bulb into fitting.



Replace back panel and screws into frame.



Please Note: Back panel can be fitted facing up or down for your preferred look but the leak hole MUST be kept at the bottom of the fitting.

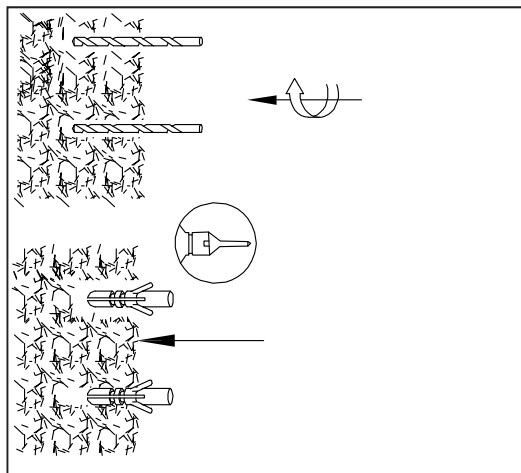


Feed the mains cable through the wall fixing plate, and connect to the terminal block on the light fitting as shown.

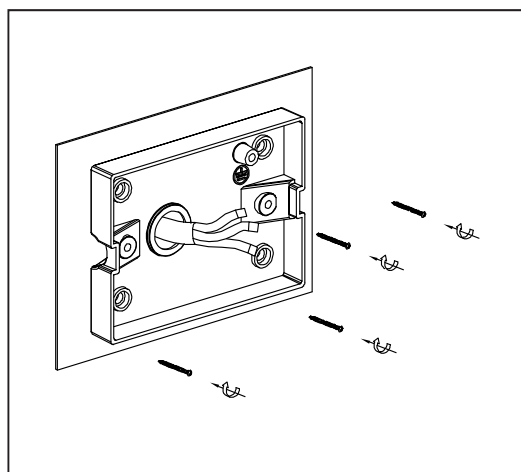
Connect the BROWN wire to the terminal block marked "L" (Live wire).

Connect the BLUE wire to the terminal block marked "N" (Neutral wire).

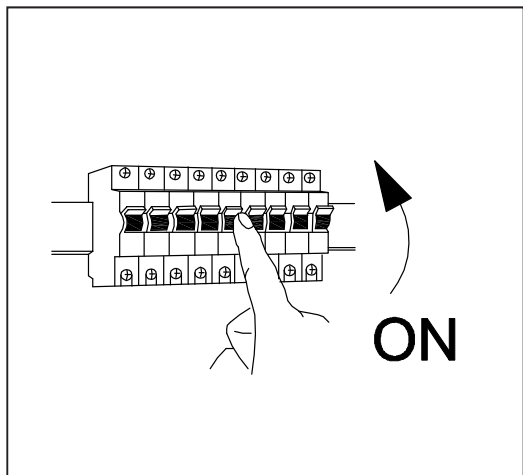
Connect the YELLOW/GREEN wire to the terminal block marked E (Earth wire).



Then attach the fixing plate to the wall ensuring the wire is not trapped or pinned.

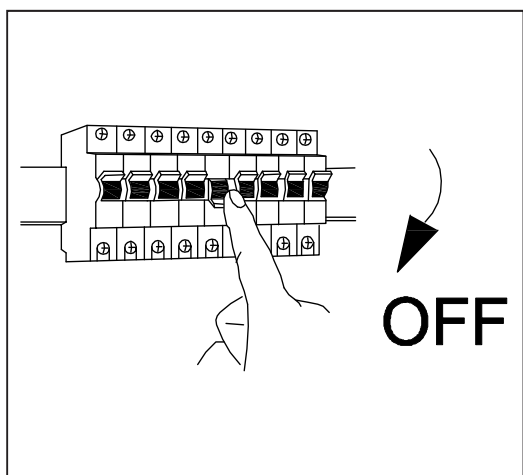


Attach the light fitting to the wall plate and insert the retaining screws to secure.

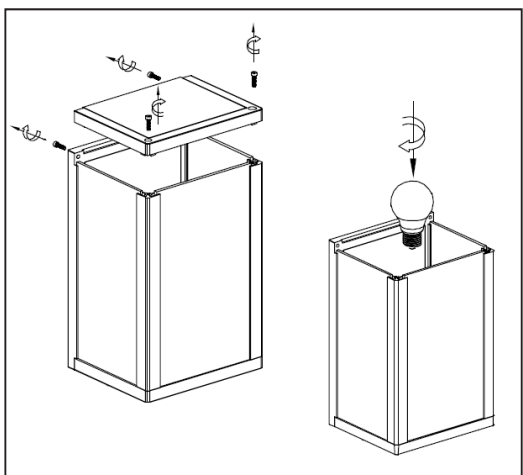


You can now turn on the power and use the fitting.

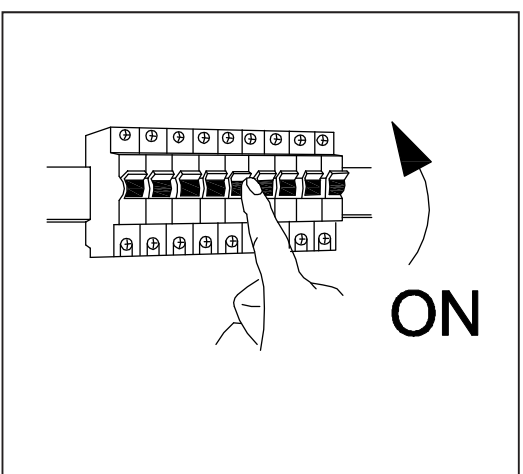
Changing the Bulb



Switch off electricity at mains before changing bulb. If unsure contact a qualified electrician.



Unscrew the top panel of the fitting, remove the old bulb and replace with the new. Once this is done you can then replace the top panel and screws.



You can now turn on the power and use the fitting.

Warranty Information

- *This product is covered by the standard outdoor Biard 3 limited year warranty for any manufacturing faults.*
- *The warranty starts from the date of purchase.*
- *The warranty period is based on a burning behavior of max. 4000 hours/year. In case of more than 4000 hours/year, the warranty period will be adjusted pro-rata.*
- *Labour costs for installation of the product are not covered under this warranty.*
- *The warranty is only valid when products are properly installed and operated as specified in this manual and the data sheets.*
- *All warranty queries should be through the stockist that the product was purchased through.*

Recycling & Disposal

The Waste Electrical and Electronic Equipment Directive (WEEE Directive) is the **European Community directive** 2012/19/EU on **Waste Electrical and Electronic Equipment (WEEE)** which, together with the **RoHS Directive** 2002/95/EC, became European Law in February 2003

The **WEEE** directive aims to reduce the amount of electrical equipment being produced and to encourage everyone to reuse, recycle and recover it.

In support of these guidelines and for environmental safety, do not dispose of any electrical equipment including those marked with the below symbols

When replacing old electrical devices with new ones the retailer is legally obligated to take back your old items for disposal free of charge. You can also recycle your old electrical devices free of charge at your local recycling centre. Please contact your local council for more information.

