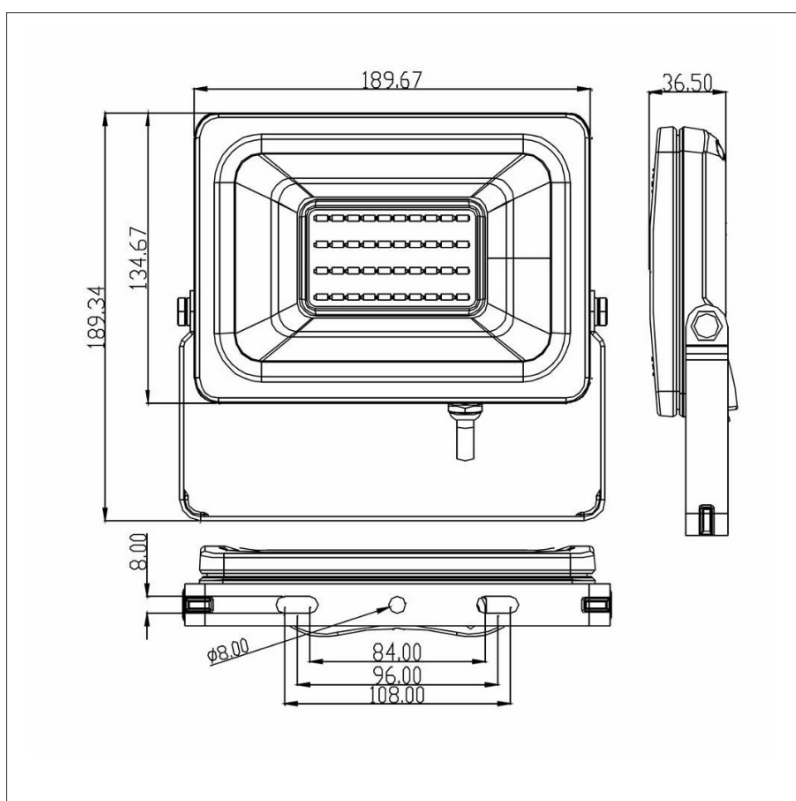


## Biard LED 20W IP65 Spike Flood Light Kit



### Product Specification

Base	<b>Fixed LED</b>
Dimensions	<b>190 x 135 x 37mm</b>
Waterproof	<b>Yes IP65 Rated</b>
Input Power	<b>AC100V-240V</b>
Certification	<b>CE, Rohs, LVD &amp; EMC</b>
Input Frequency	<b>50Hz</b>
Weight	<b>N/A</b>

### Product Specification

- ✓ Rust-proof Aluminium Spike
- ✓ IP65 Rated
- ✓ 5 Year Warranty.
- ✓ Cool or Warm White
- ✓ Colour: Black



### Safety Information

- ✓ Use only at stated voltages.
- ✗ **DO NOT** look directly into LED.
- ✗ **DO NOT** spray with chemicals.
- ✓ If in doubt use a qualified electrician.
- ✗ **NEVER** expose electrical parts when switched on.
- ✗ **DO NOT** remove PIR (if fitted).
- ✗ **DO NOT** cover with flammable materials.
- ✓ Turn off power before fitting.

All Biard branded products are covered by a five year warranty and have a 30 day money back guarantee.

**RoHS**  
Compliant

