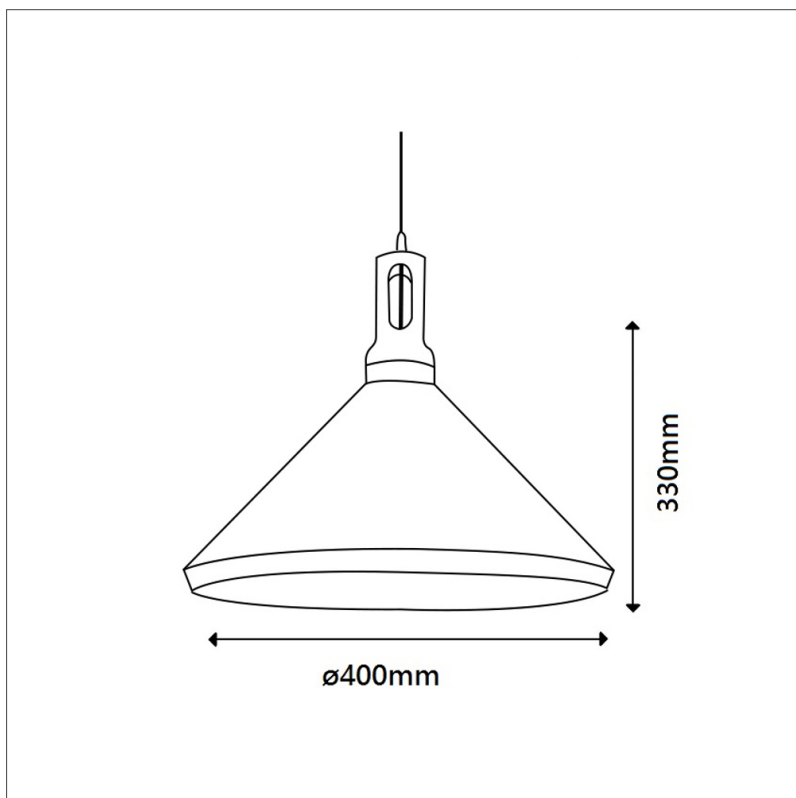


Biard Orlu Black Pendant Light



Product Specification

Base	E27
Dimensions	ø400 x 330 mm
Waterproof	IP20
Input Power	220-250V
Certification	CE, RoHS, LVD
Input Frequency	50-60HZ
Weight	1kg

Product Specification

- ✓ Ceiling Mounted
- ✓ 1m Black Cord
- ✓ Aluminium
- ✓ Black
- ✓ E27 Base



Safety Information

- ✓ Use only at stated voltages.
- ✗ **DO NOT** look directly into LED.
- ✗ **DO NOT** spray with chemicals.
- ✓ If in doubt use a qualified electrician.
- ✗ **NEVER** expose electrical parts when switched on.
- ✗ **DO NOT** remove PIR (if fitted).
- ✗ **DO NOT** cover with flammable materials.
- ✓ Turn off power before fitting.

This product is covered by a 3 year warranty and comes with a 30 day money back guarantee.

RoHS
Compliant

